


## Cut List

A  **x4**

B  **x4**

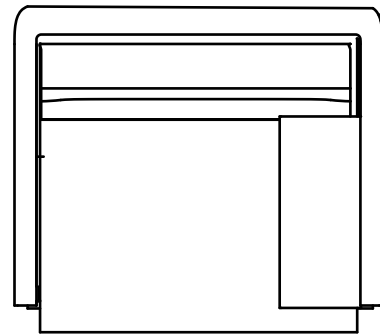
C  **x8**

D  **x8**

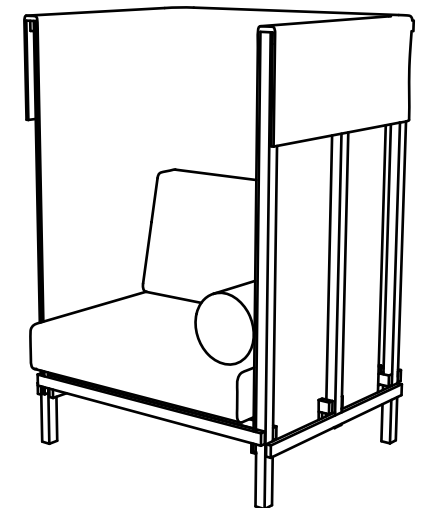
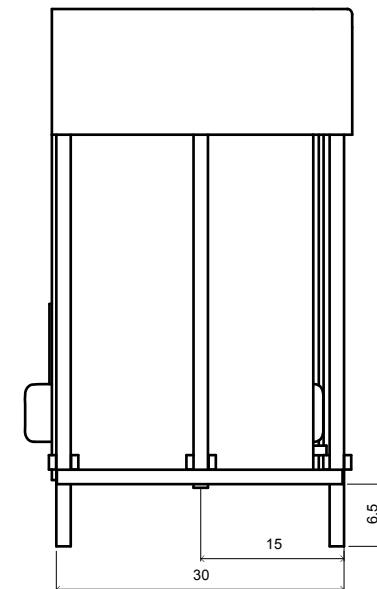
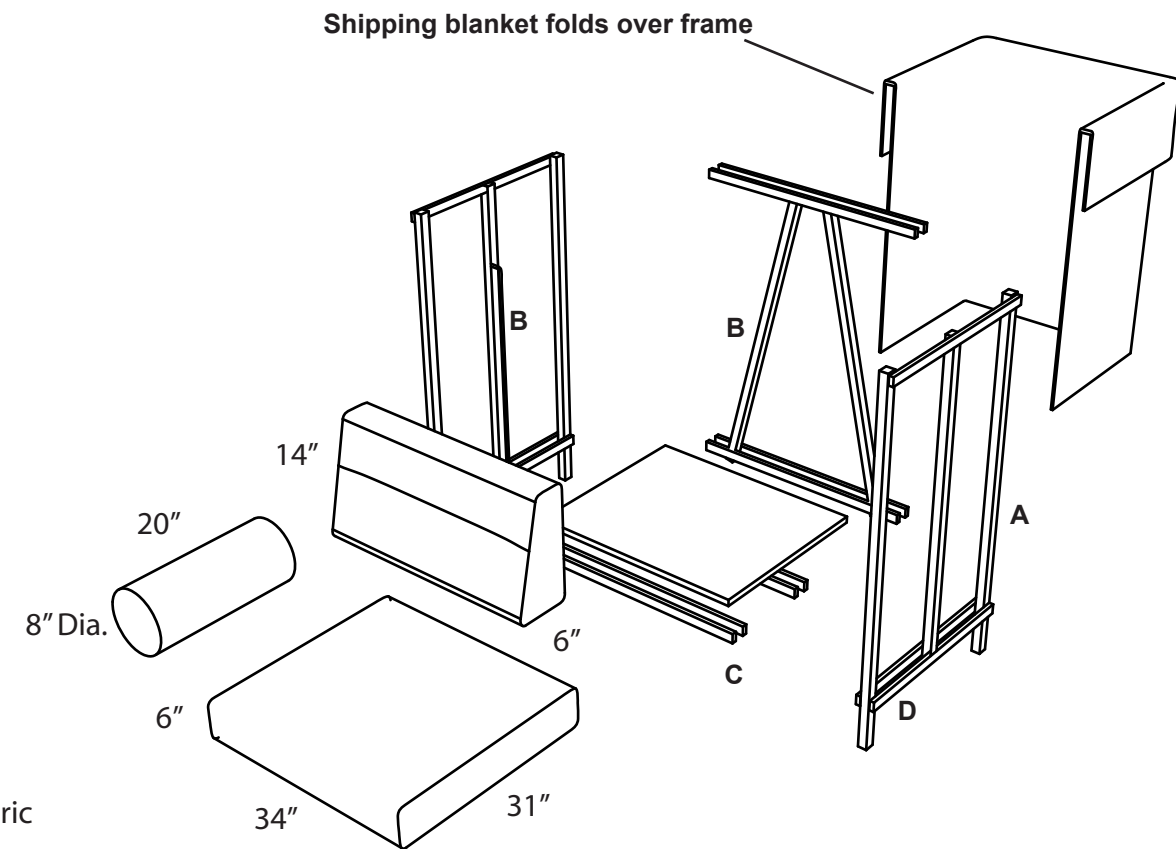
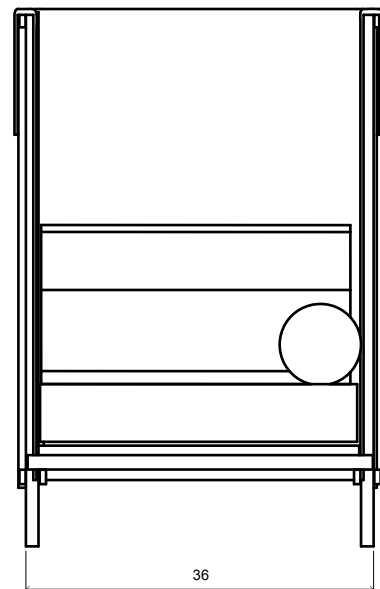
 **x1**

 **x1**

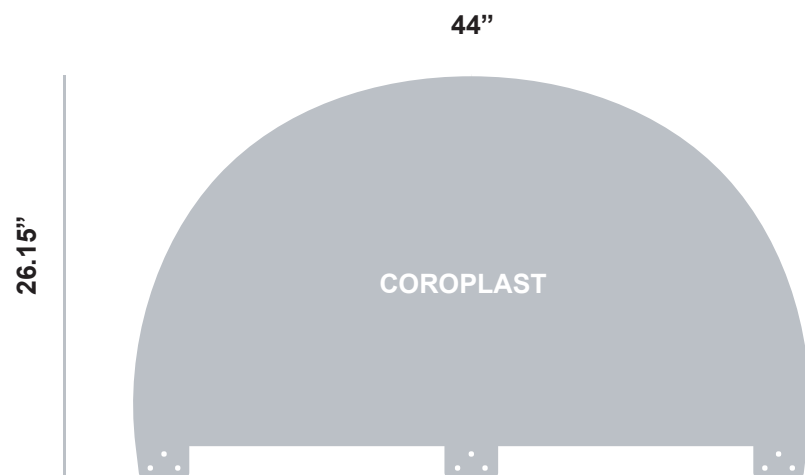
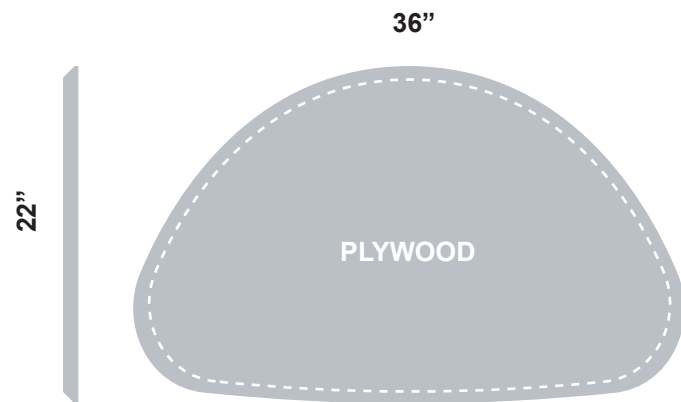
Lumber sizes listed as nominal unless otherwise noted with actual dimensions (act.)



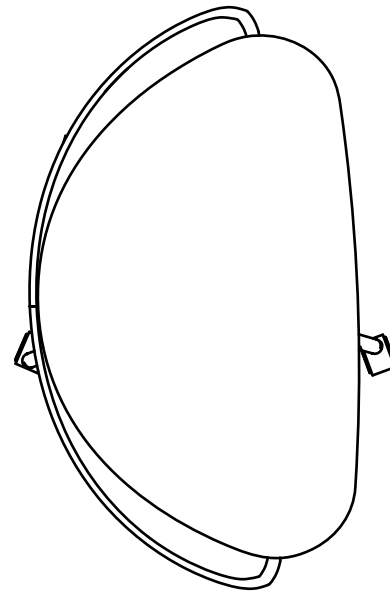
upholstery on cushions is probably not a DIY job, but can be custom made locally with fabric of your choice to these basic dimensions.



## Cut List



Lumber sizes listed as nominal unless otherwise noted with actual dimensions (act.)



base parts available at [www.sourcedist.com](http://www.sourcedist.com)

See parts:

S4014 - 5-point base

S2227 - castors x5

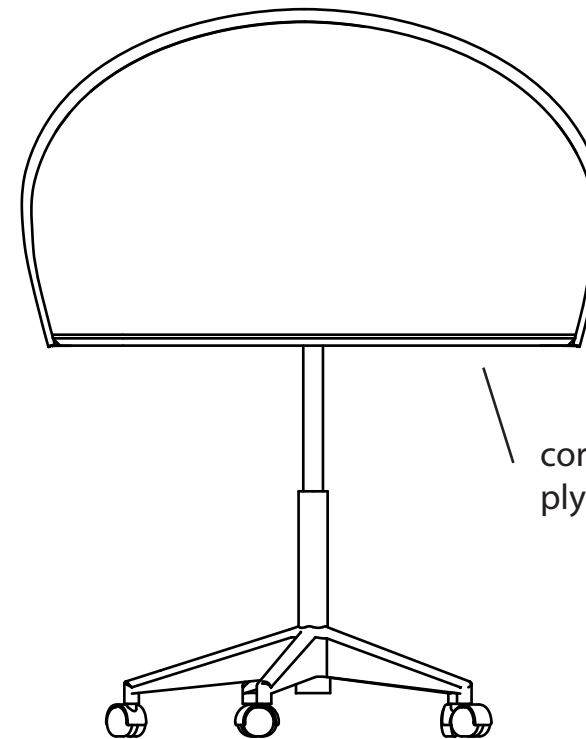
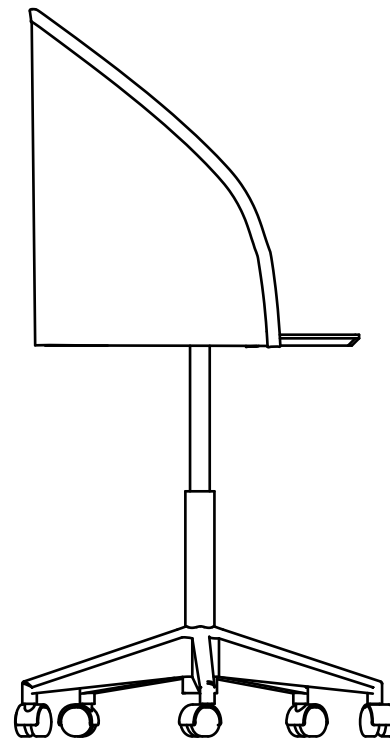
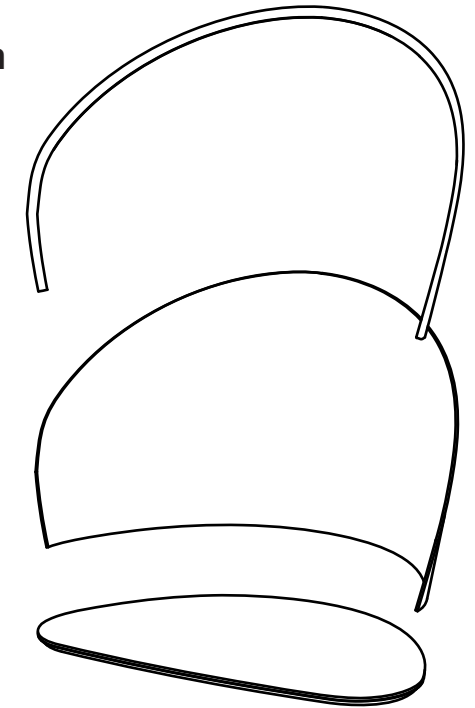
S6120 - gas cylinder

S4773 - Aluminum block mount

S4789-A - Lever

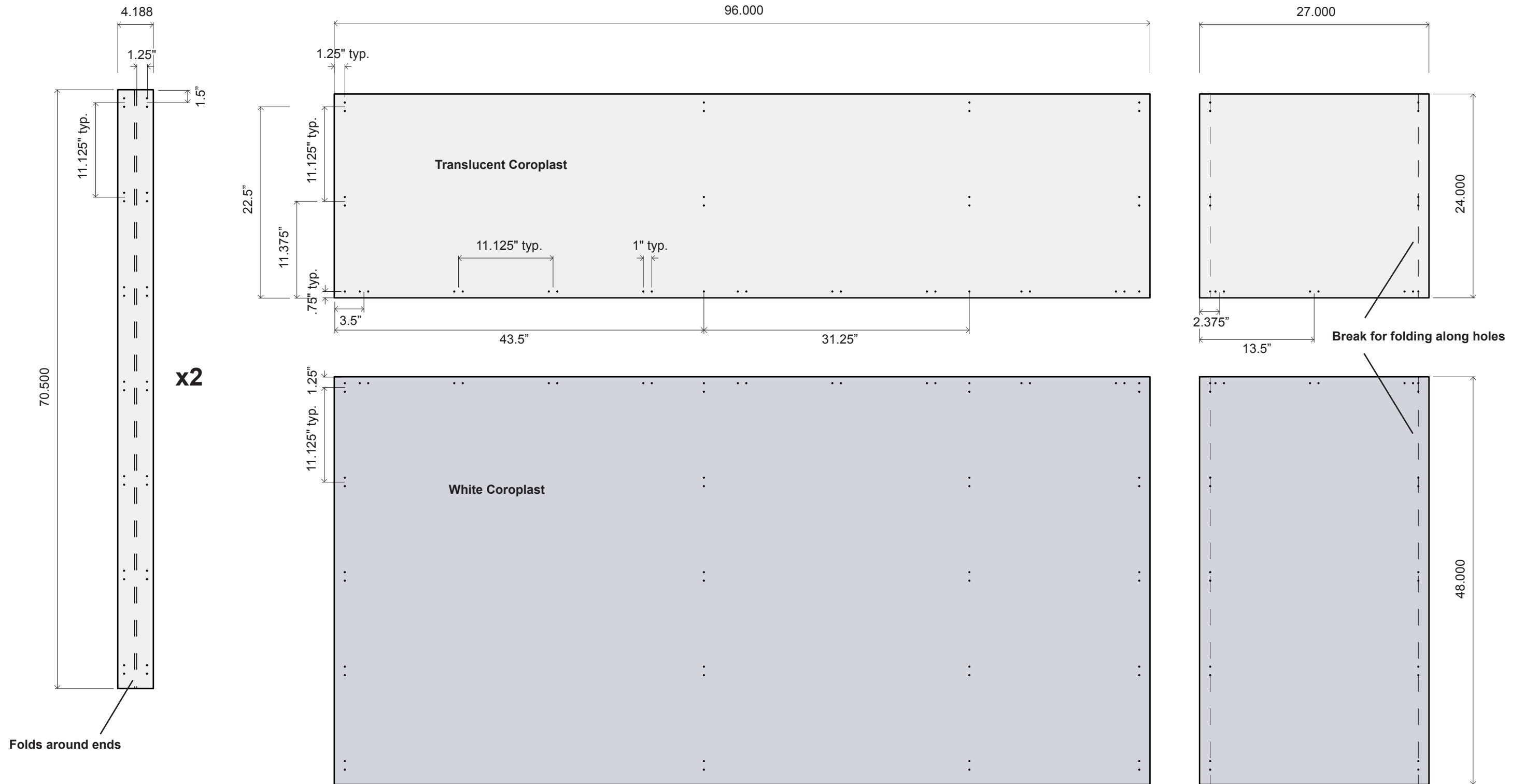
Estimated base cost: \$39.83.

Flexible U-channel available from  
Outwater Plastic Part # 809-343



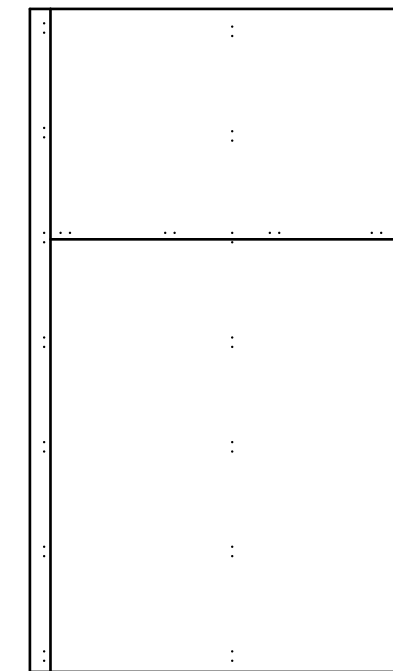
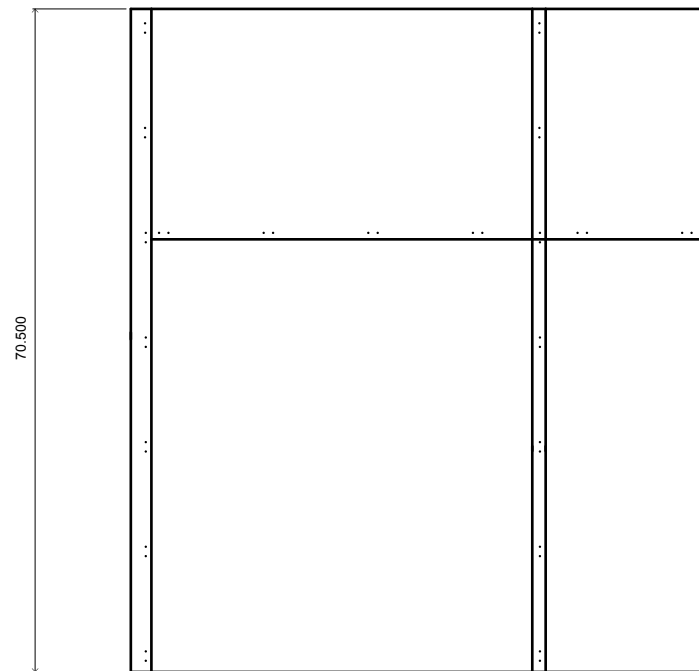
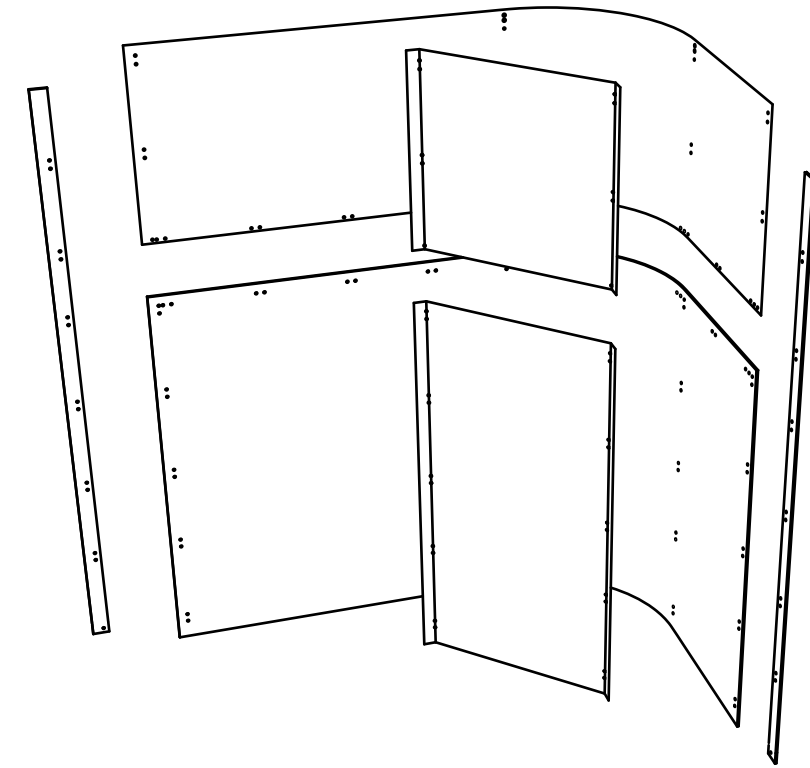
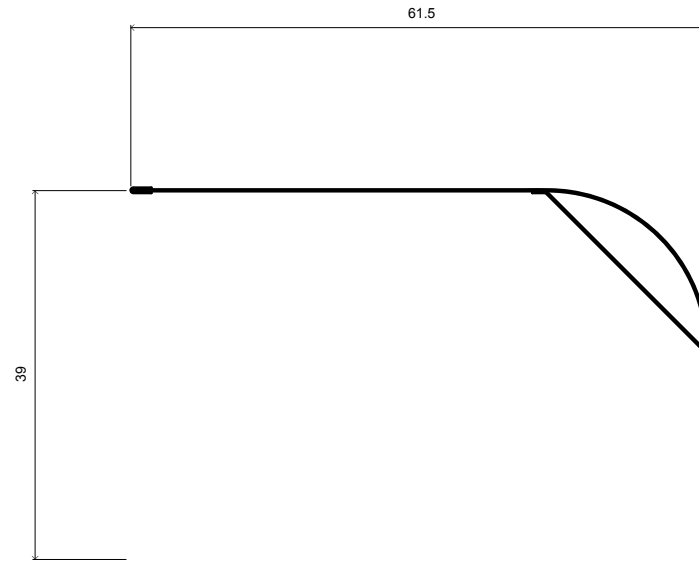
coroplast tabs fasten to underside of  
ply top with woodscrews.

# Partition Wall Cut Template



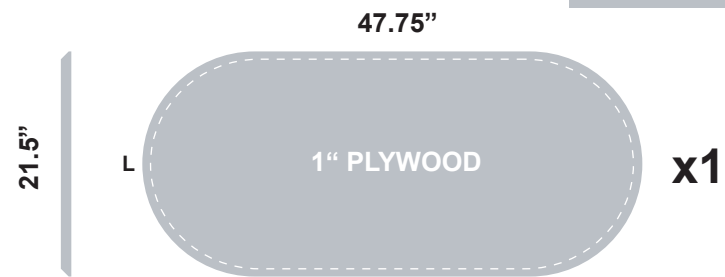
# Partition Wall Assembly Diagram

- Align holes on corresponding panels and secure with cable ties.

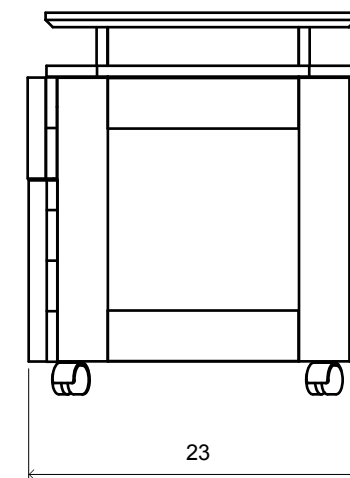
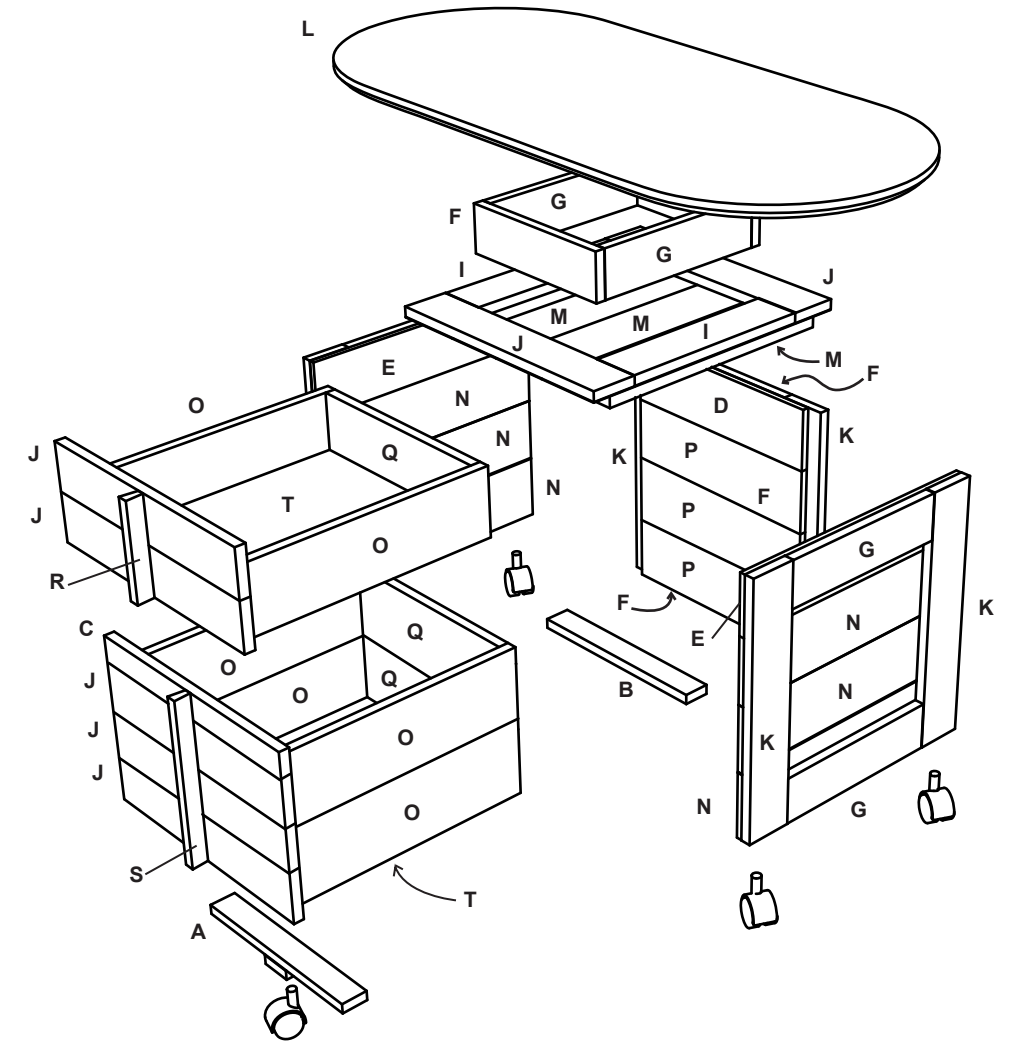
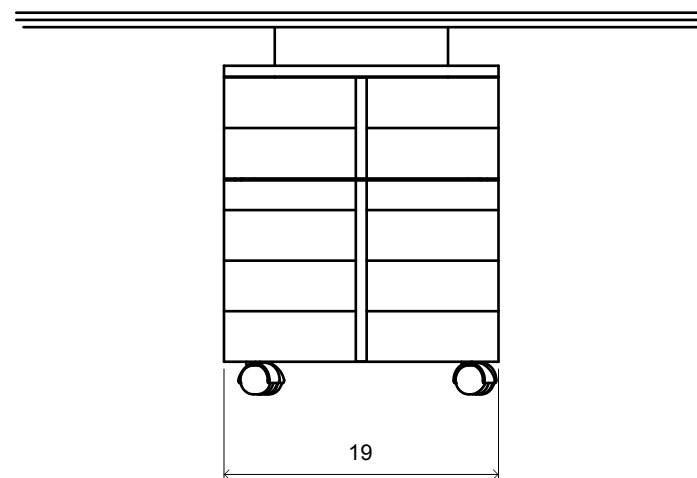
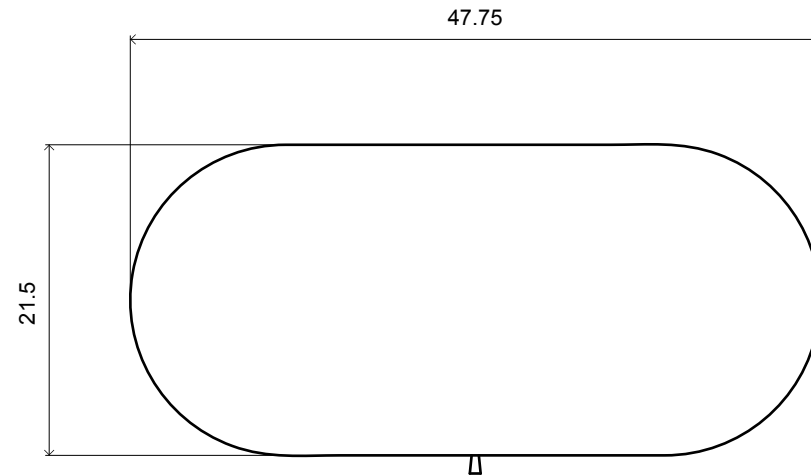


### Cut List

A	14.875" 1 x 2	x1	M	19.5" .75 x 4 act.	x4
B	16" 1 x 2	x1	N	20" 1 x 6	x6
C	19" .75 x 2 act.	x1	O	19" 1 x 6	x6
D	16" .75 x 3 act.	x1	P	16" 1 x 6	x3
E	20" .75 x 3 act.	x2	Q	13.5" 1 x 6	x3
F	12" 1 x 4	x4	R	7" Tapered profile	x1
G	13" 1 x 4	x6	S	12.5" Tapered profile	x1
I	14.75" 1 x 4	x2	T	18.25" .25" PLYWOOD 14.875"	x2
J	19" 1 x 4	x7			
K	19.5" 1 x 4	x6			



castorts available at [www.sourcedist.com](http://www.sourcedist.com)  
See parts:  
S2227 - castors x5



Lumber sizes listed as nominal unless otherwise noted with actual dimensions (act.)

### Cut List

36"

1 x 4

x3

36"

.75 x .75 act

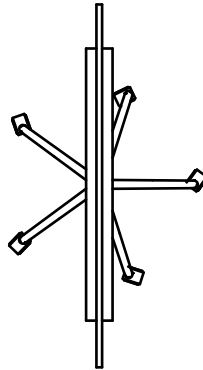
x1

48"

GATOR BOARD

x1

96"



base parts available at [www.sourcedist.com](http://www.sourcedist.com)

See parts:

S4014 - 5-point base

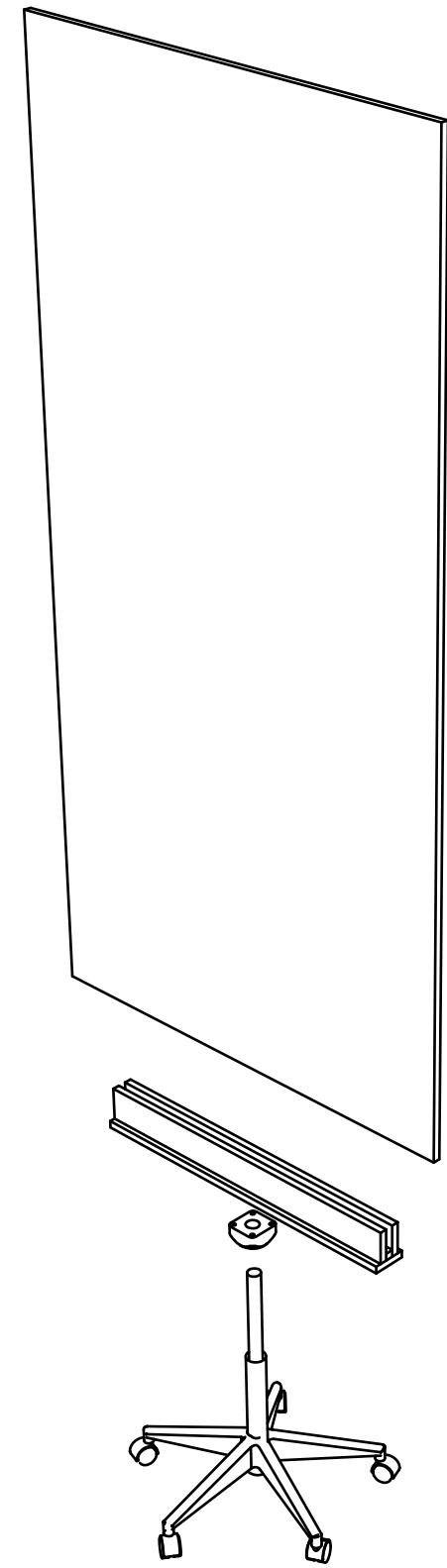
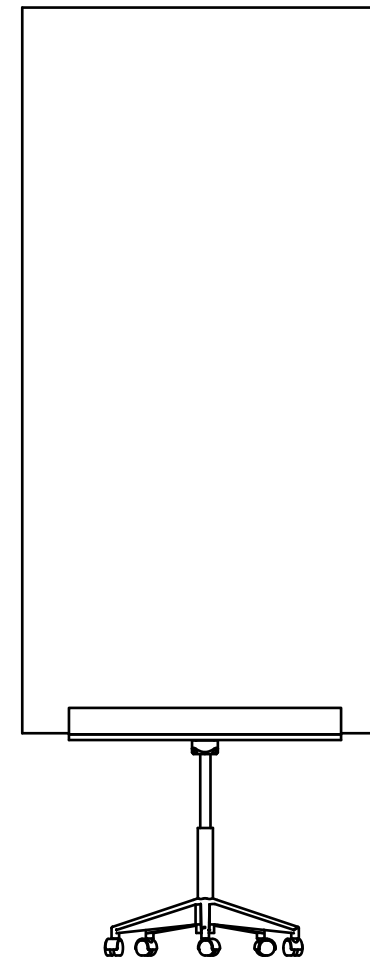
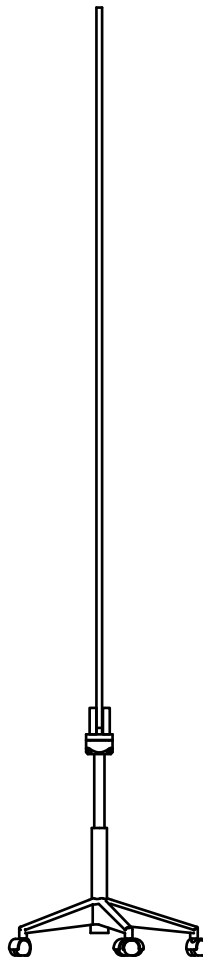
S2227 - castors x5

S6120 - gas cylinder

S4773 - Aluminum block mount

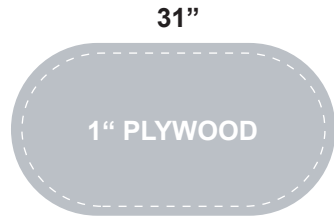
S4789-A - Lever

Estimated base cost: \$39.83.

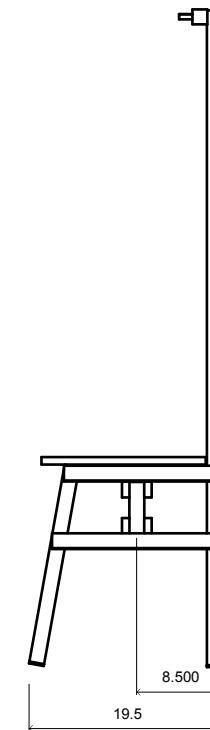
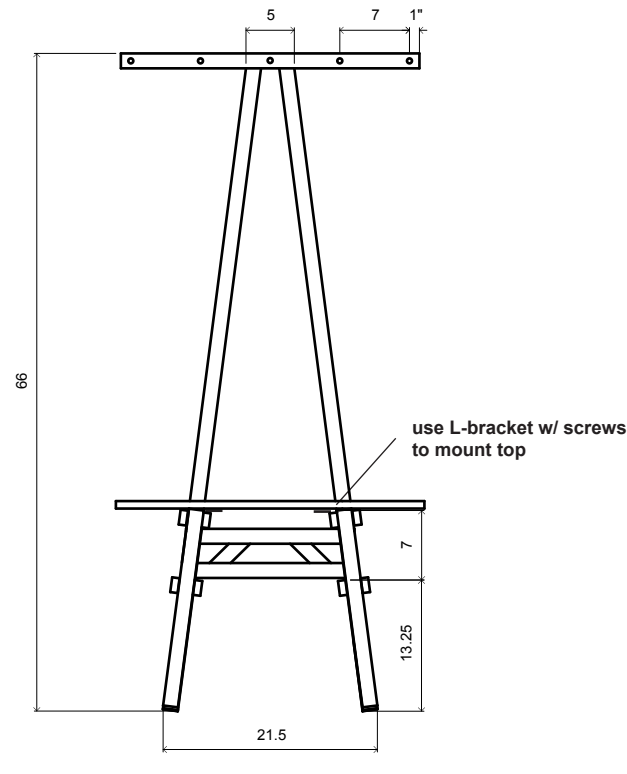
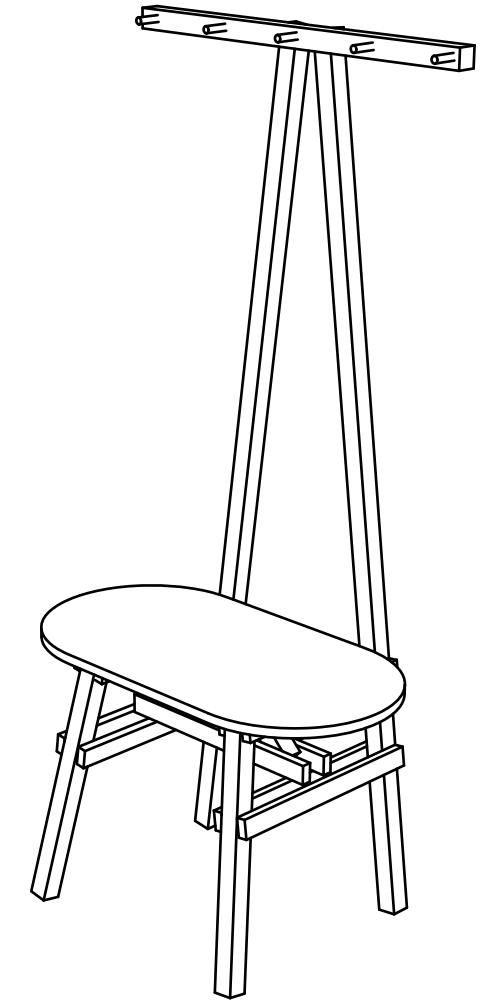
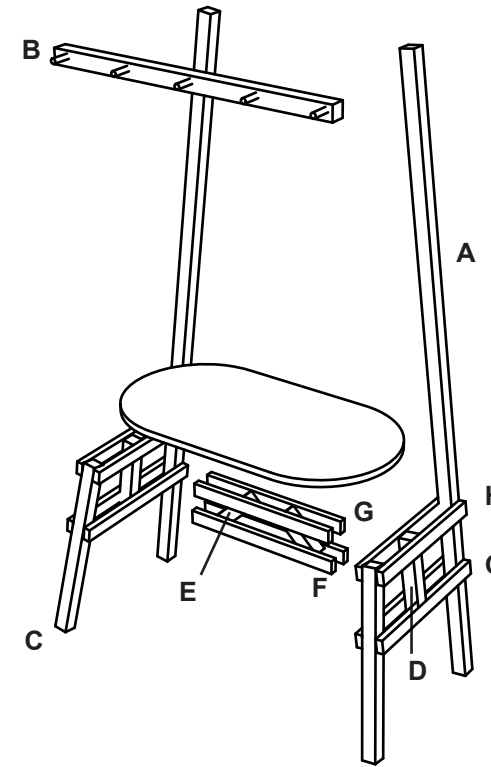
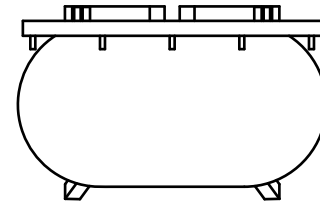


### Cut List







- A  66" 2 x 2 x2
- B  30" 2 x 2 x1
- C  20" 2 x 2 x2
- D  8.25" 2 x 2 x2
- E  5.5" 2 x 2 x2
- F  17.75" 1 x 2 x2
- G  17" 1 x 2 x6
- H  16" 1 x 2 x4
- 2" .5" dowel x5



Lumber sizes listed as nominal unless otherwise noted with actual dimensions (act.)

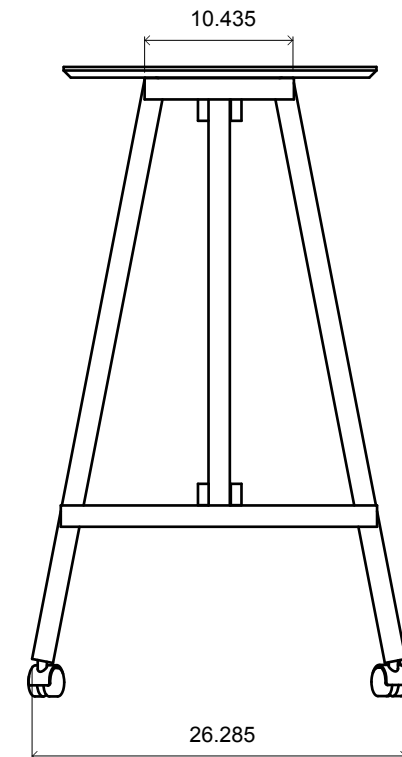
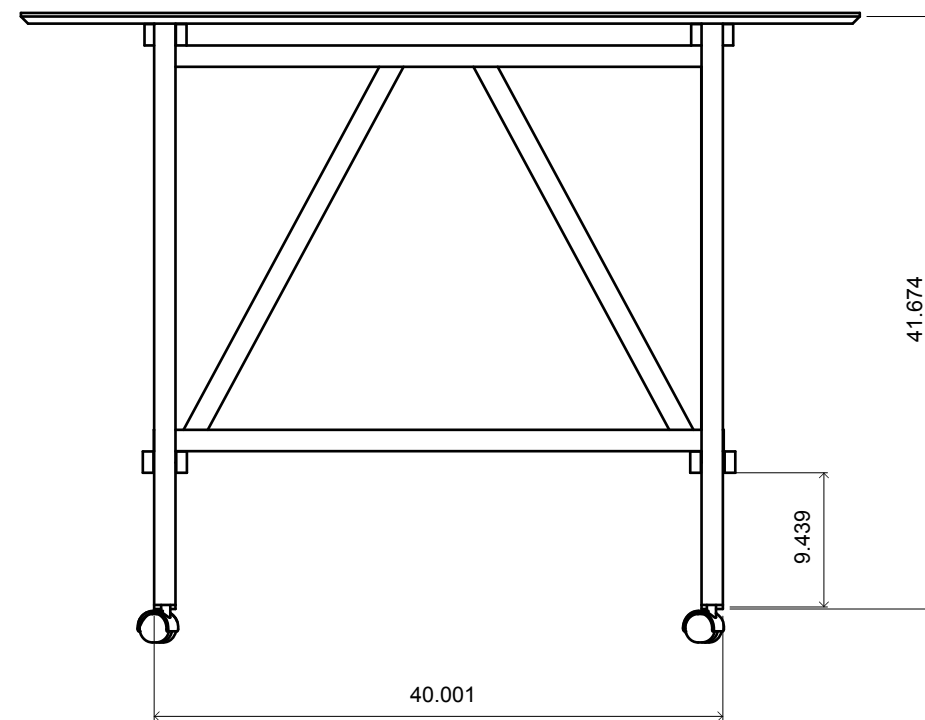
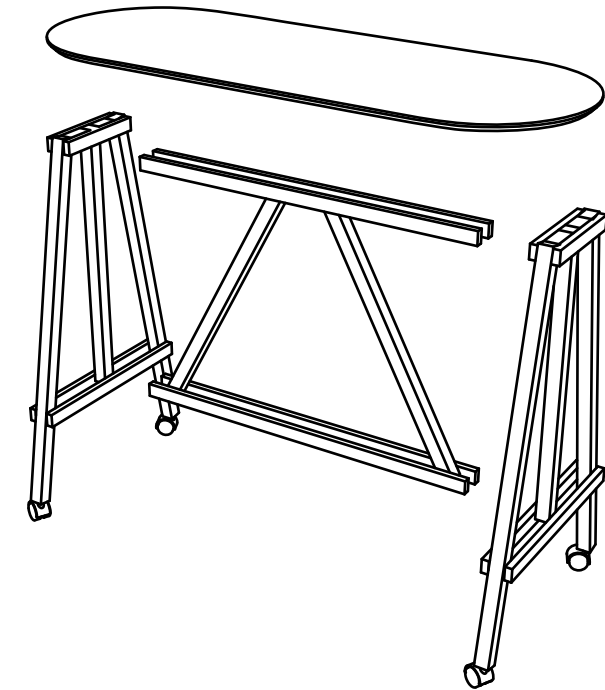
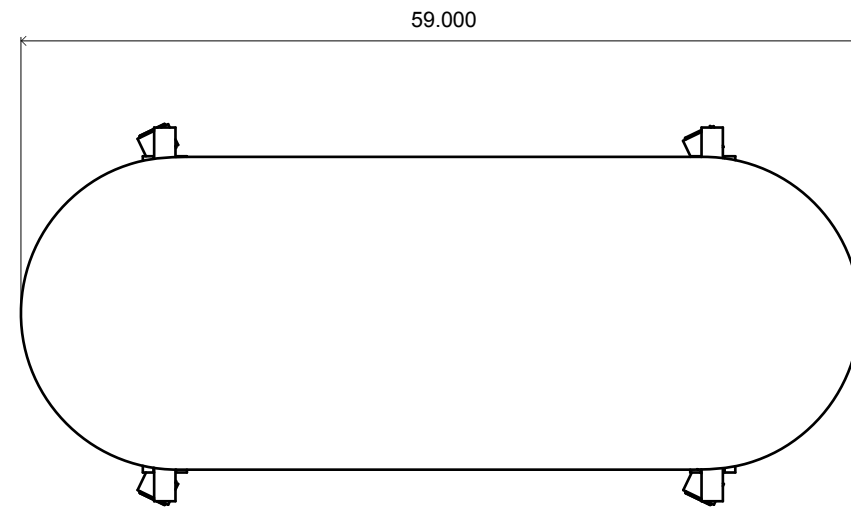


### Cut List

- 
42"
2 x 2
x4
- 
31"
2 x 2
x4
- 
10.5"
1 x 2
x4
- 
22.5"
1 x 2
x4
- 
40"
1 x 2
x4
- 
22"
59"
1" PLYWOOD
x1

castorts available at [www.sourcedist.com](http://www.sourcedist.com)

See parts:  
S2227 - castors x4

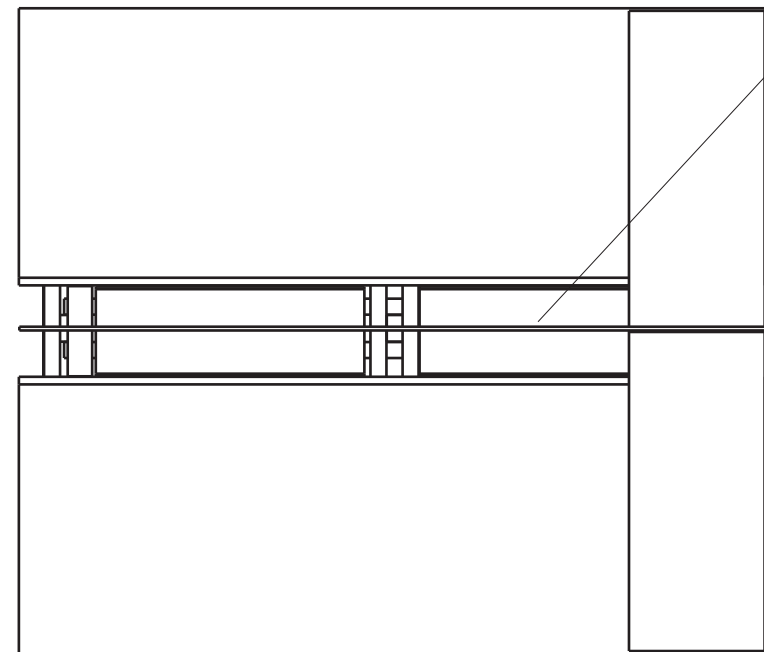


Lumber sizes listed as nominal unless otherwise noted with actual dimensions (act.)



### Cut List

<b>A</b>	62" 2 x 3	<b>x4</b>
<b>B</b>	53" 2 x 3	<b>x6</b>
<b>C</b>	39.5" 2 x 3	<b>x4</b>
<b>D</b>	28" 2 x 3	<b>x4</b>
<b>E</b>	18" 2 x 3	<b>x2</b>
<b>F</b>	17" 2 x 3	<b>x2</b>
<b>G</b>	15" 2 x 3	<b>x1</b>
<b>H</b>	8.5" 2 x 3	<b>x2</b>
<b>I</b>	12" 1" ply	<b>x4</b>
<b>J</b>	28.5" 1" ply	<b>x2</b>
<b>K</b>	30" 1" plyR	<b>x4</b>
<b>L</b>	70" 25.5" 1" PLYWOOD	<b>x2</b>
<b>M</b>	70" 14" COROPLAST	<b>x1</b>
<b>N</b>	25" 15" RUBBER SHEET	<b>x2</b>



rubber sheet is draped in the gap for cable storage.

