

NINEBYFOUR

design by Waarmakers

Thank you for purchasing this Ninebyfour lamp. This document lists all the contents included in the box and instructions for installation. As you unpack and prepare for assembly, place the contents on a carpeted or padded area to protect them from damage. Note: 2 people are required to safely install this product.

Please take your time to read this user manual and installation guide. For our terms of service please visit our website: store.waarmakers.nl/service

IMPORTANT SAFETY INSTRUCTIONS:

We recommend installation of this pendant lamp be performed by a licensed electrician. Plugs for mounting the lamp are not included.



Safety Instructions



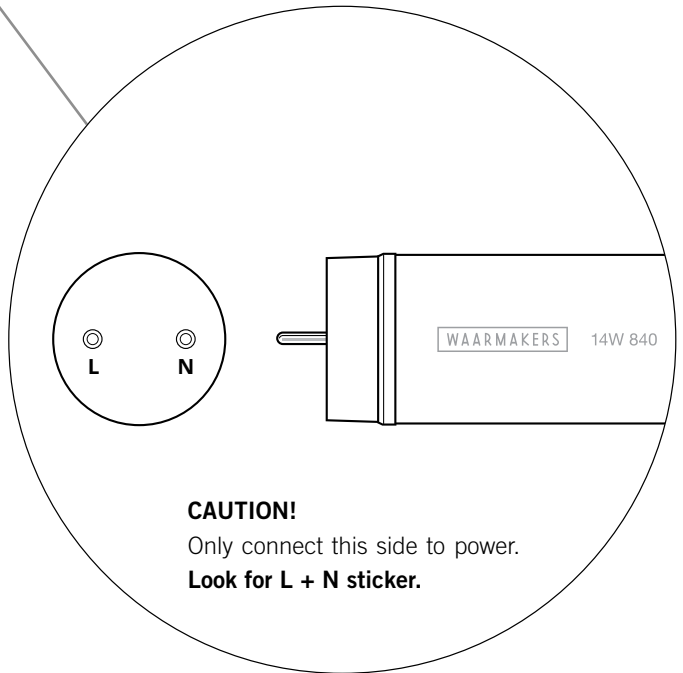
IMPORTANT:

We recommend installation of this pendant lamp be performed by a licensed electrician. Plugs for mounting the lamp are not included.

CAUTION!

Always connect the side of the LED tube with printed information and L + N sticker to power.

DO NOT insert the other end of the LED tube in the socket.



INSTALLATION INSTRUCTIONS

Before starting, turn off power at main circuit panel.

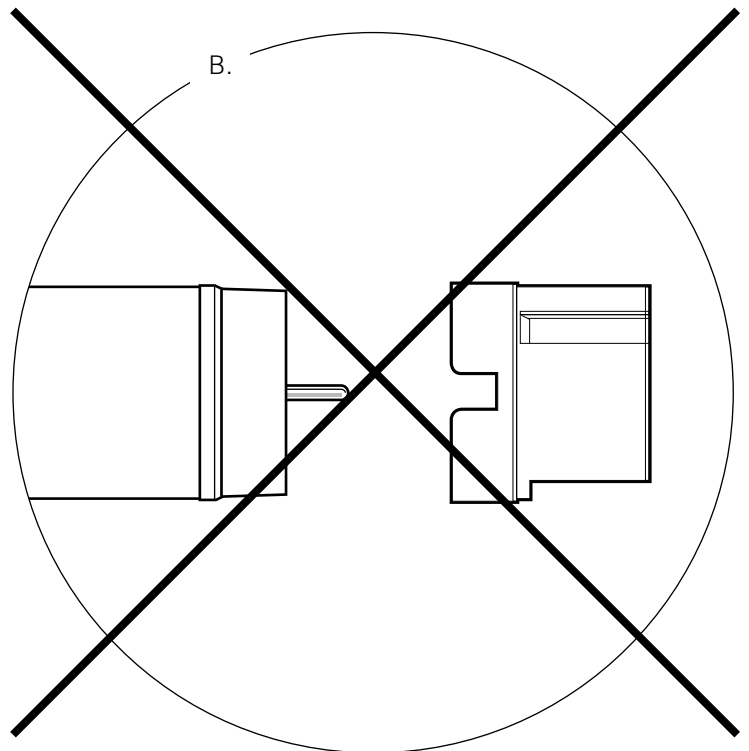
CAUTION!

The light source of this product is non-changeable light diodes (LED). Do not disassemble the product, as the light diodes can cause damage to the eyes.

CLEANING

Use a damp cloth, never a strong cleaning agent. Do not immerse in water.

ALWAYS SWITCH OFF POWER BEFORE REMOVING THE FITTING

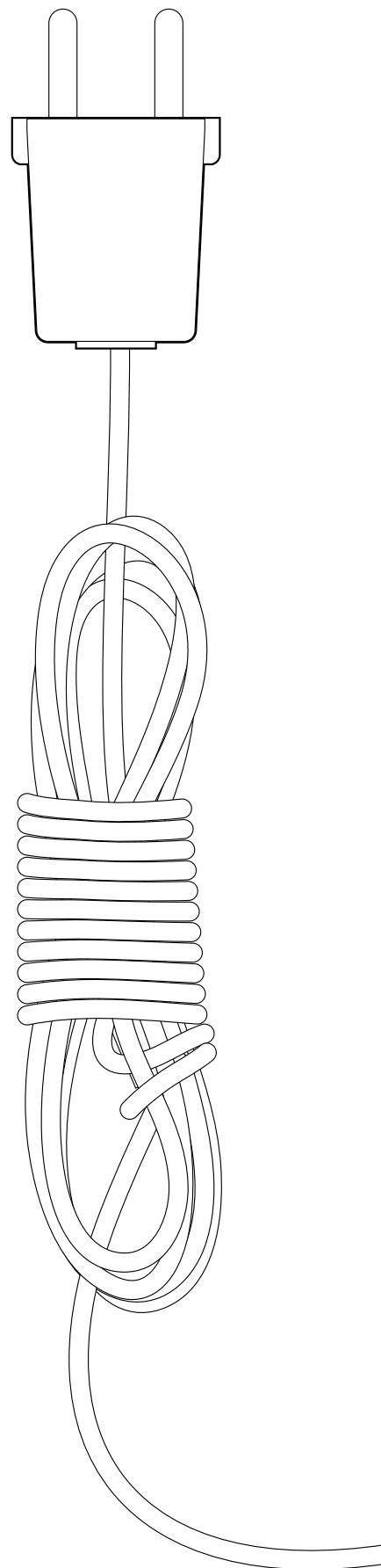
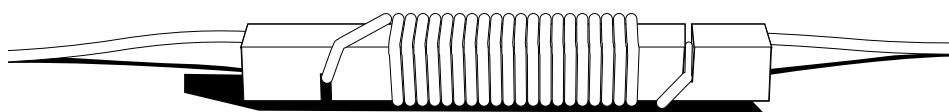
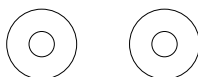
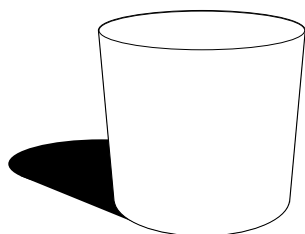
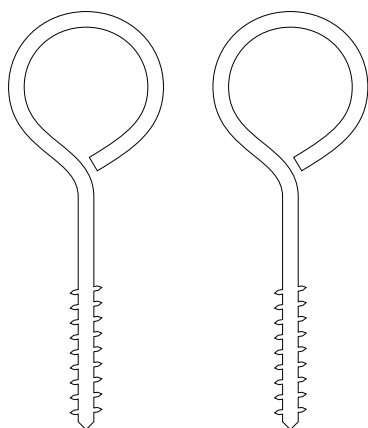


Components

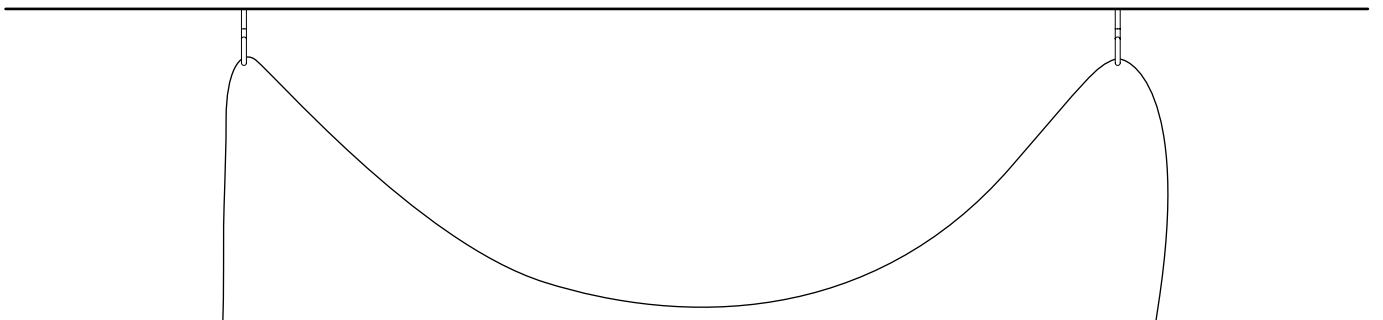
eye-bolts (screw in hooks) M4	3x
spacers (wall and/or ceiling)	2x cork disks 12x7 mm + hole 4.5 mm
lamp stopper	2x conical cork 32.5x28.5x27mm
cable + plug	1x cloth wire + 1x plug
stopper	cork
LED tube	1x

Pendant cord kit

height adjusting system	wood (same tree) 82x10x12mm
cord	2mm waxed cotton



A. 650



Mounting on ceiling

PLEASE NOTE: have this lamp installed by a qualified professional.

Step A. Screw in both eye-bolts in the ceiling. Use appropriate mounting method for your ceiling. **(plugs not included)**

Step B. Guide the cotton cord through the hooks.

Step C. Guide the cotton cord through the holes in the wooden fixture.

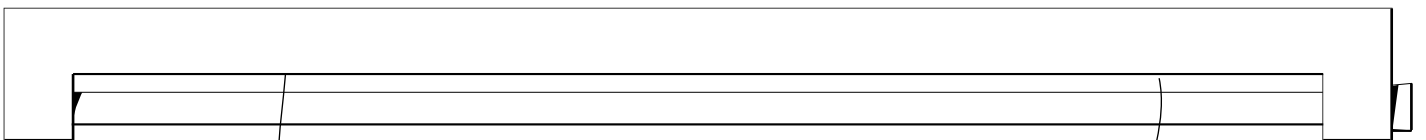
Step D. Tie a knot to secure.

Step E. Hanging the lamp horizontal:

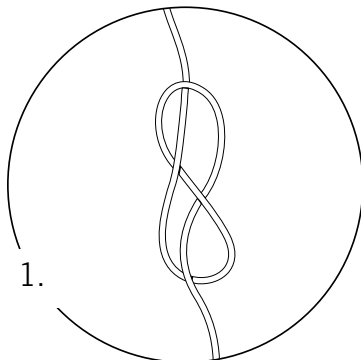
This is, and obviously so, a natural material. It might occur that the lamp is not perfectly horizontal the first try. To adjust, turn the knot in step 3. (bottom right of this page) a half or a quarter turn. This might take a little tinkering.

B.

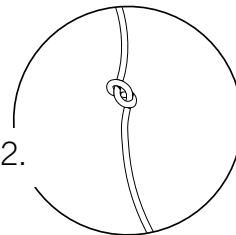
C.



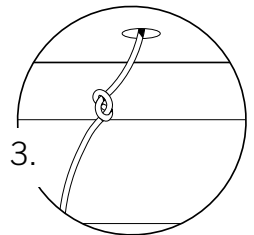
D. 1.

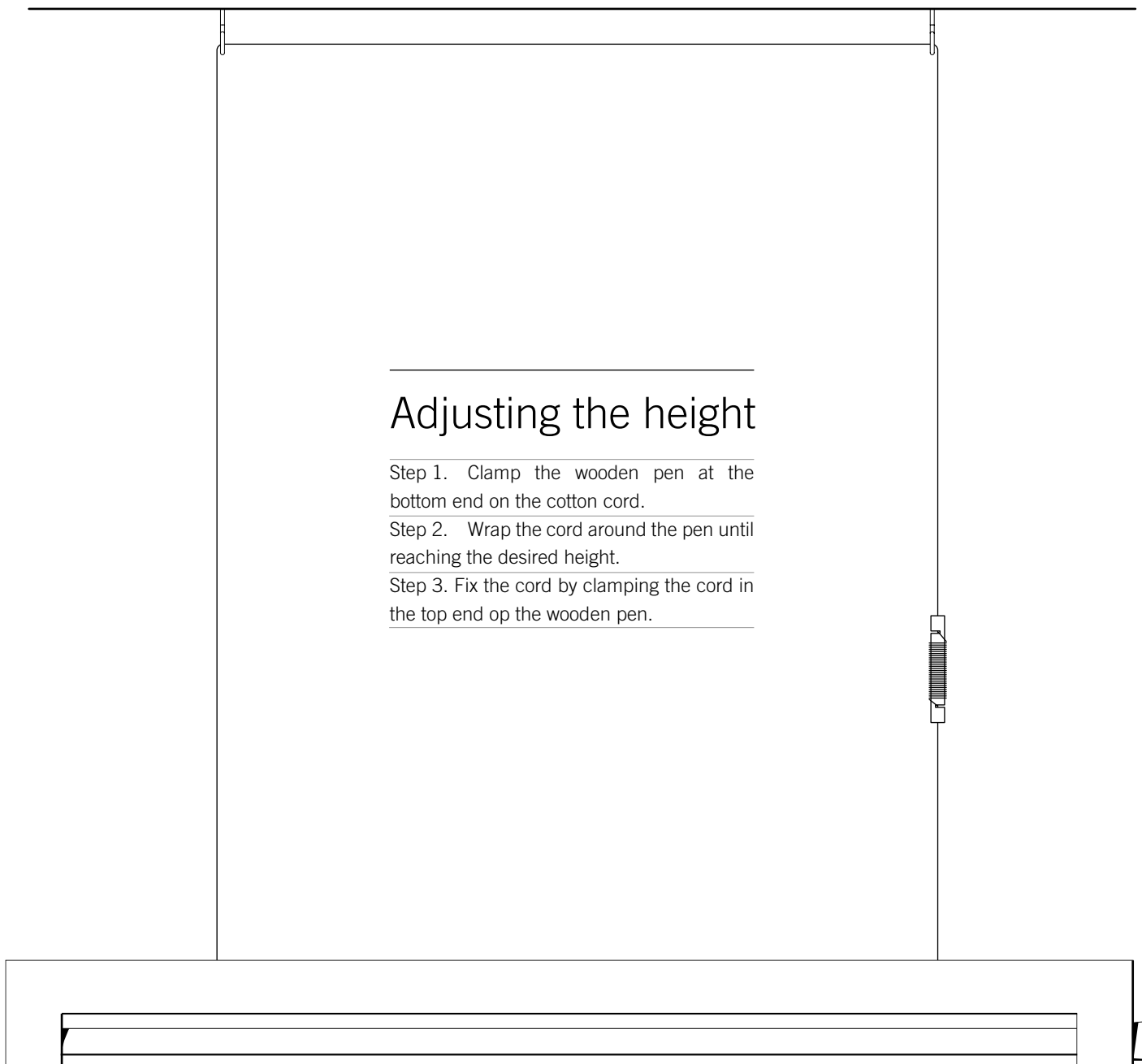


2.



3.



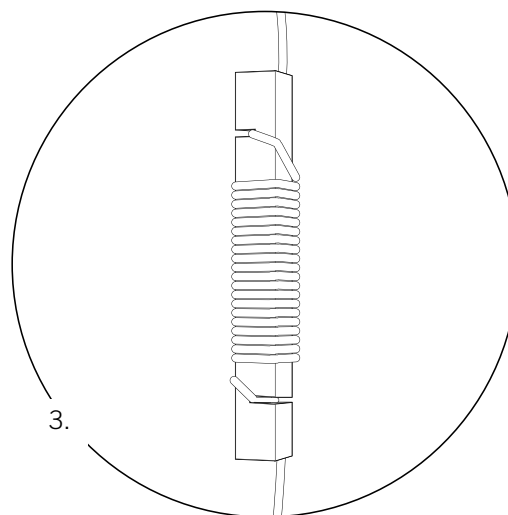
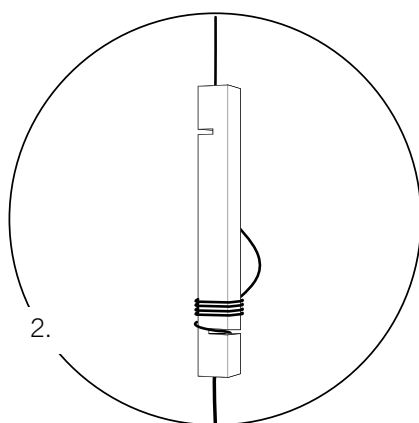
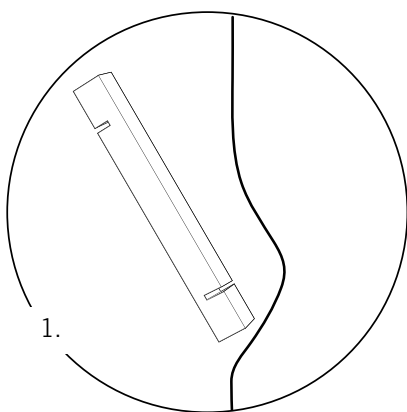


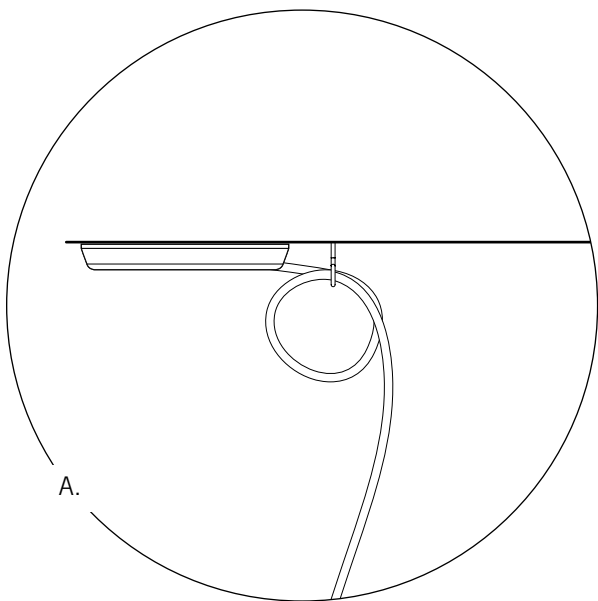
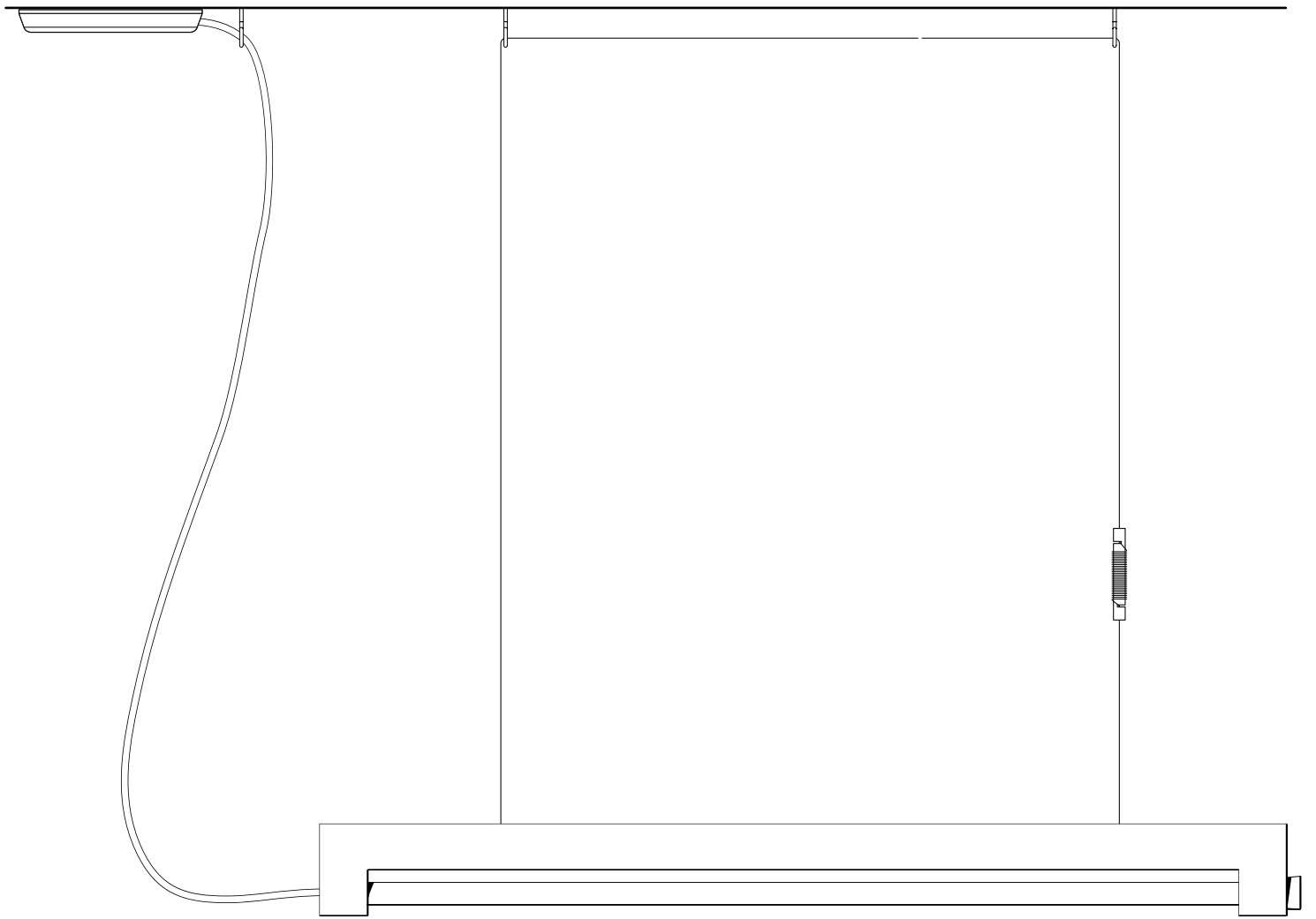
Adjusting the height

Step 1. Clamp the wooden pen at the bottom end on the cotton cord.

Step 2. Wrap the cord around the pen until reaching the desired height.

Step 3. Fix the cord by clamping the cord in the top end of the wooden pen.





Power cord

Remove plug if installing power cord on the ceiling.
If needed, use an extra eye-bolt to hold the excess length of power cord (situation A.)

Mounting on wall

Please note: have this lamp installed by a licenced professional.

Drill holes at a distance of 650mm.

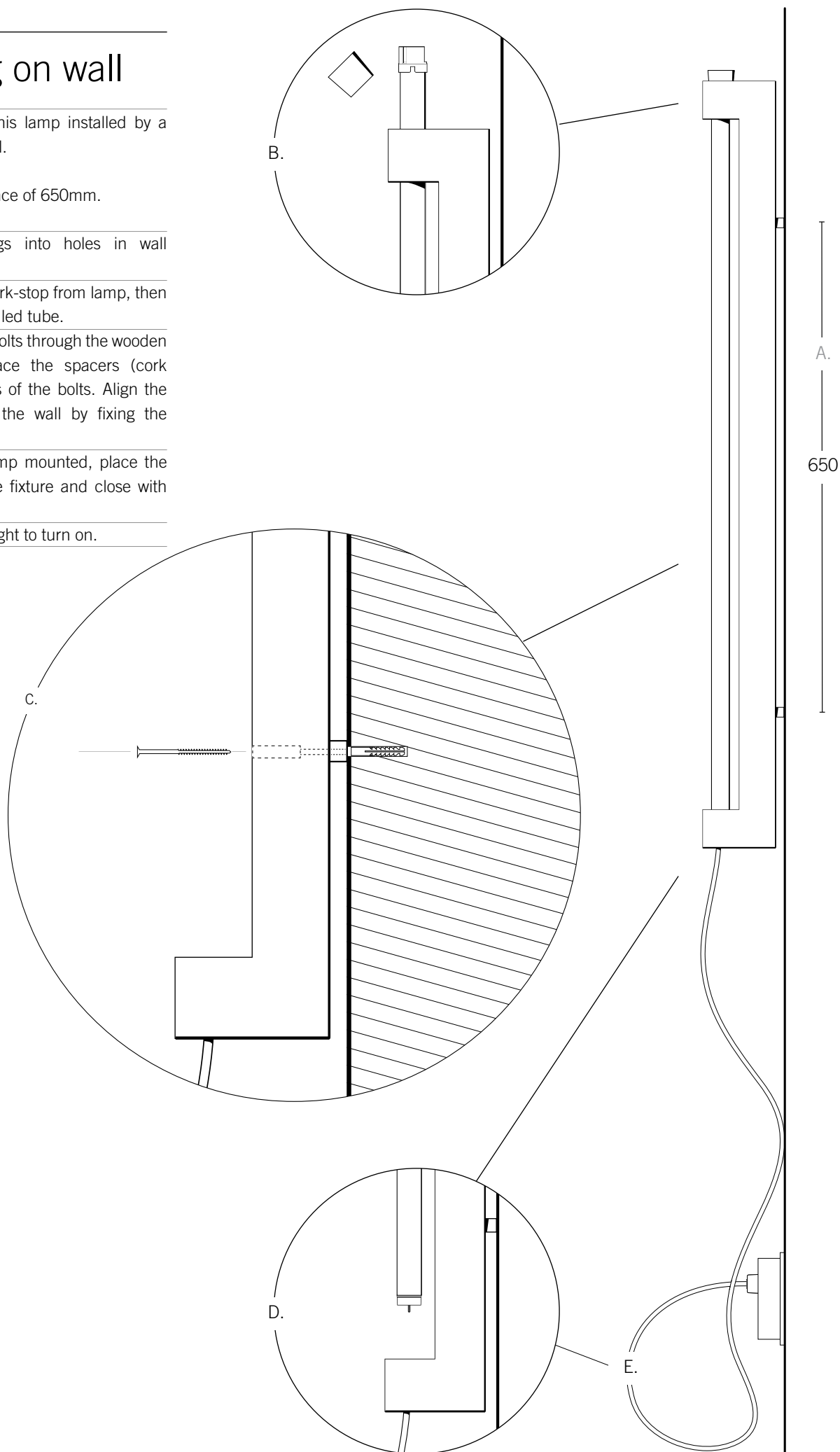
Step A. Insert plugs into holes in wall (plugs not included)

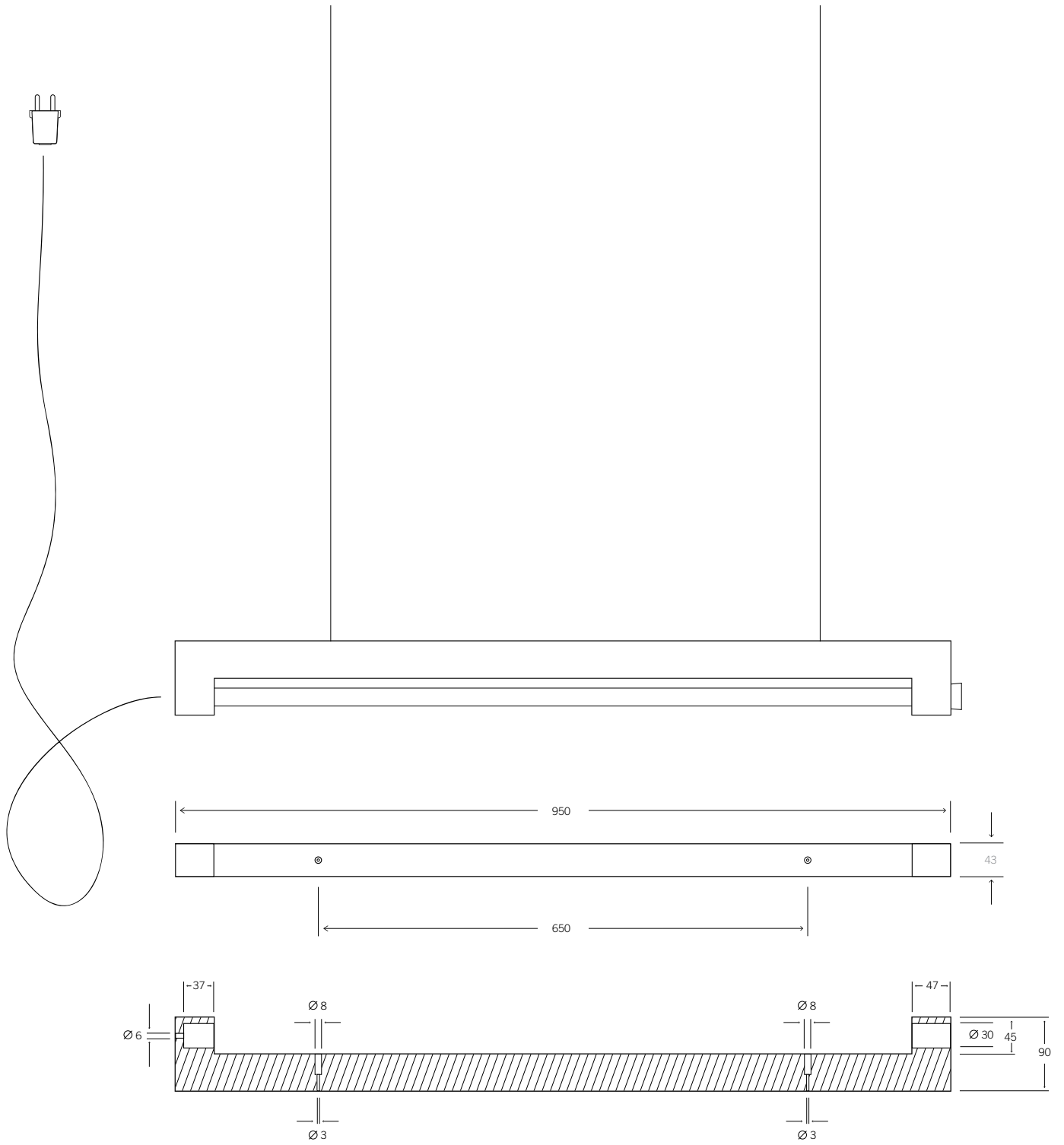
Step B. Remove cork-stop from lamp, then carefully remove the led tube.

Step C. Place the bolts through the wooden light-fixture and place the spacers (cork disks) over the ends of the bolts. Align the light-fixture against the wall by fixing the bolts inside the wall.

Step D. With the lamp mounted, place the led-tube back in the fixture and close with cork-stop.

Step E. Plug in the light to turn on.





Dimensions

overall dimensions

950x90x40mm
 red cloth wire 2m
 cord length 4m