



Hydraulic Solenoid Valves

4WE Series Solenoid Directional Control Valves

Technical Specification

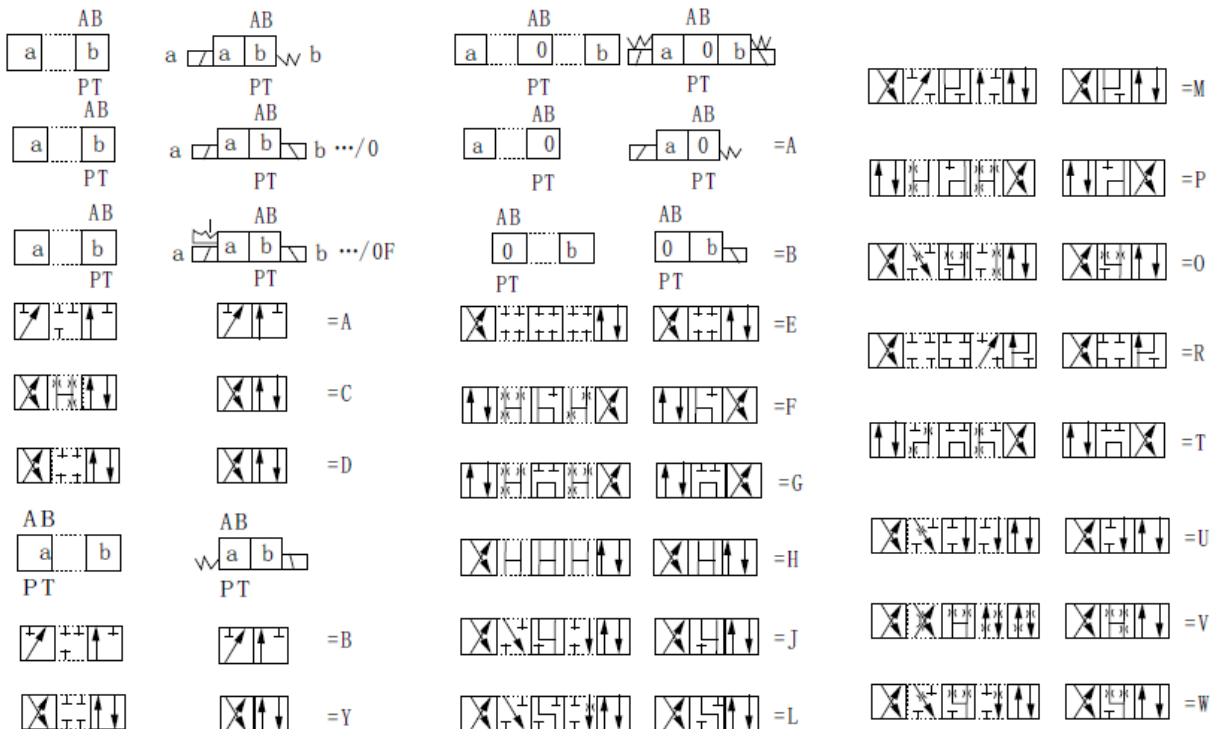


Model		4WE3	4WE4	4WE5	4WE6	4WE10
Max. Flow Rate		15	20	14	80	100
Working Pressure (Mpa)		A,B,P port 31.5	A,B,P port 31.5	A,B,P port 25	A,B,P port 31.5	A,B,P port 31.5
		T port 10	T port 10	T port 6	T port 16	T port 16
Weight (Kgs)	Single Solenoid	0.55	0.83	1	1.5	4.8
	Double Solenoids	0.7	1.1	1.4	2.2	6.1

Ordering Details

4WE	6	E	60	O	G24	N	Z4L
Sort	Nominal Size	Symbols	Series Number	Spool Return	Input Voltage	Manual Override	Connector type
4/3 and 4/2 Solenoid Operated Directional Valve	3:NG3 4:NG4 5:NG5 6:NG6 10:NG10	See Symbols List	61:WE3,4 50:WE4 60:WE5,6 30:WE10	No code: Spring Return O: Without spring return OF: Without spring return With detent.	G12:DC12 G24:DC24 W220:AC220 W110:AC110 W220R:RAC220 W110R:RAC110	No code: Without Manual override N: With manual Override	Z4: Standard Plug-in Connector Z4L: Plug-in Connector With light

Symbol List





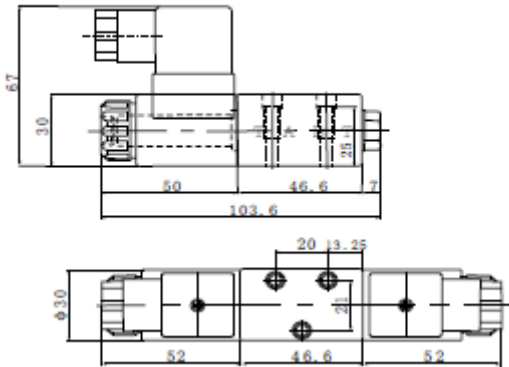
Hydraulic Solenoid Valves

4WE Series Solenoid Directional Control Valves

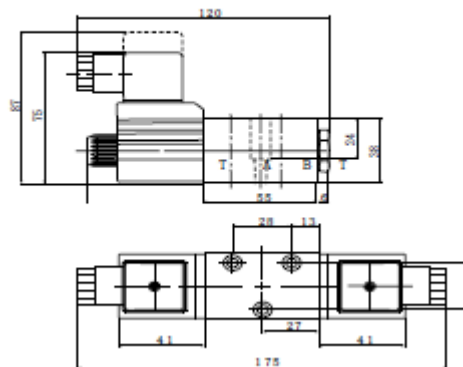
Dimensions

Unit: mm

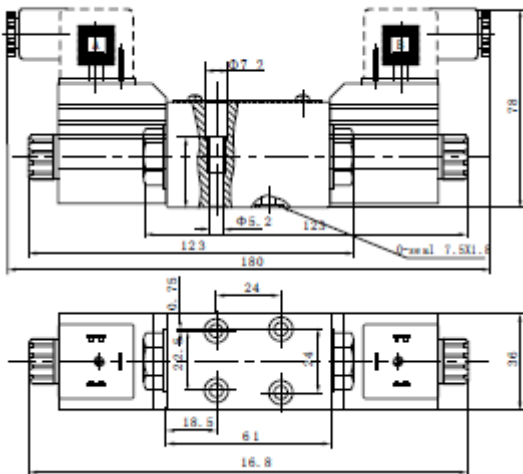
4WE3



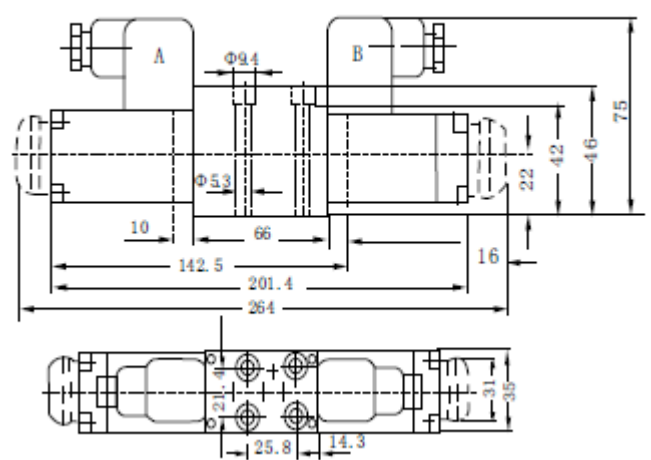
4WE4



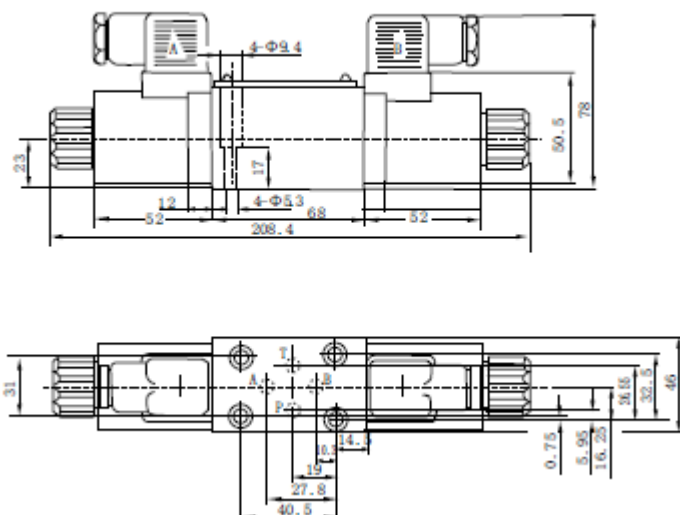
4WE4



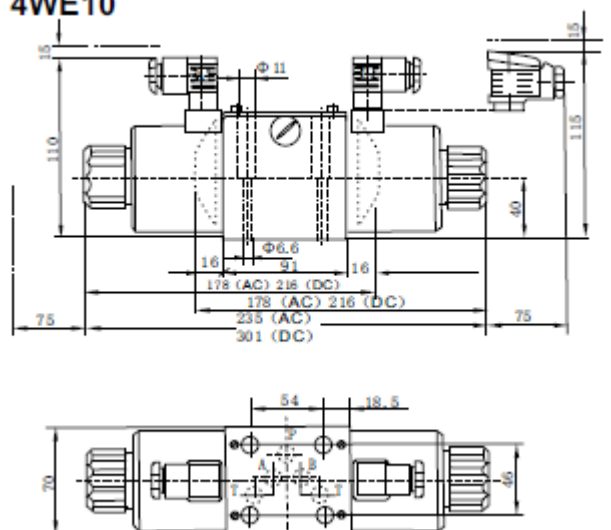
4WE5



4WE6



4WE10



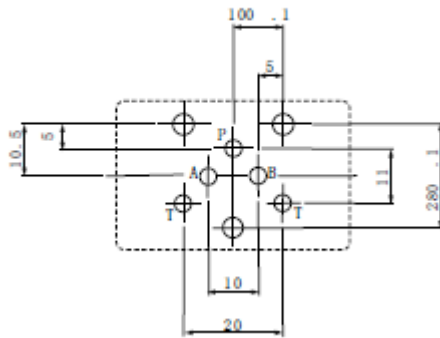
Hydraulic Solenoid Valves

4WE Series Solenoid Directional Control Valves

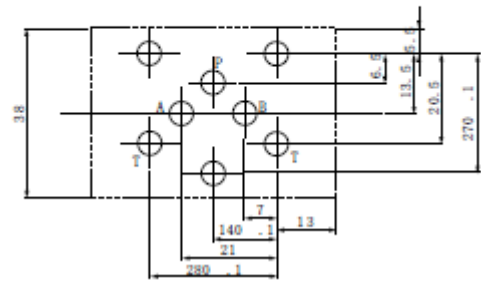
Mounting Dimensions

Unit: mm

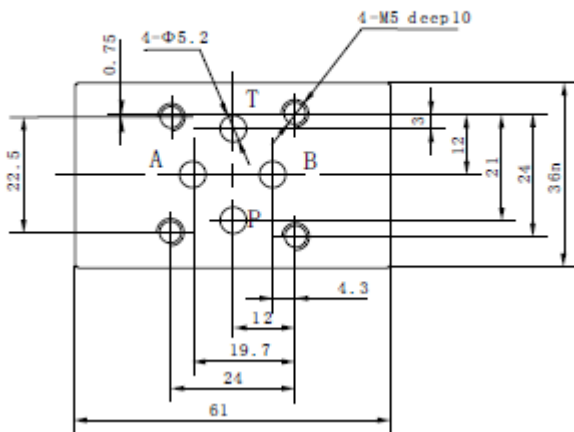
4WE3



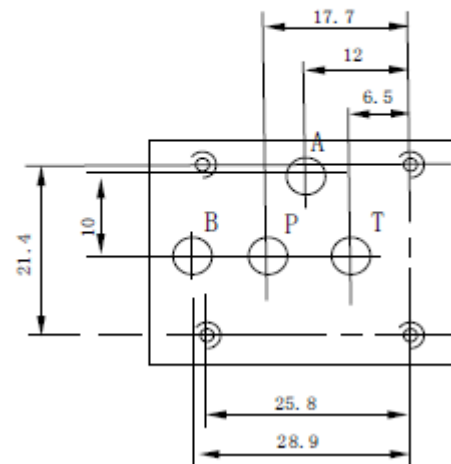
4WE4



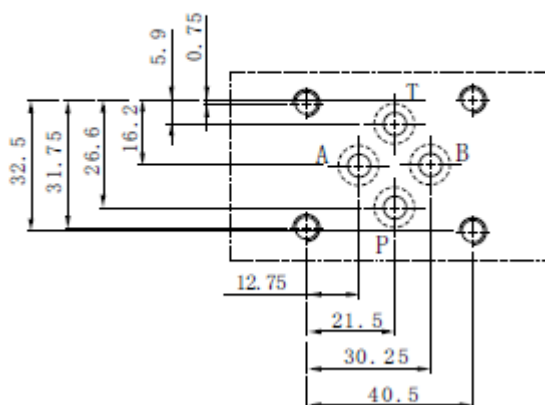
4WE4



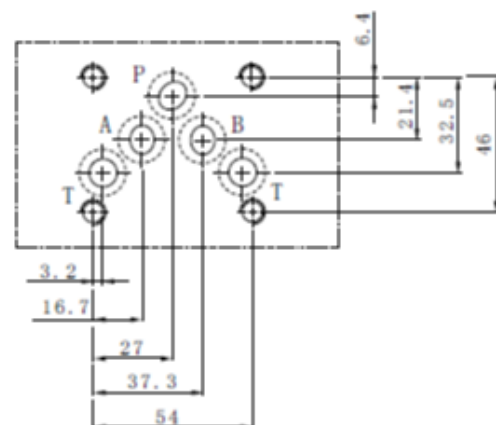
4WE5



4WE6



4WE10

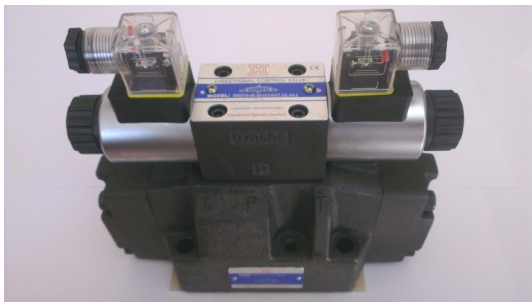




Hydraulic Solenoid Valves

4WEH Series Solenoid Pilot/Hydraulic Operated Directional Control Valve

Technical Specification



Model		4WEH10	4WEH16	4WEH25	4WEH32
Max. flow rate (l/min)		160	300	500	1100
Working Pressure (MPa)	A,B,P port	31.5			
	T port	External Drain	25		
		Internal Drain	16 (DC) 10(AC)		
Y port	External Control	16(DC) 10(AC)			
Max. operating pressure (MPa)		25			
Weight (Kgs)	Pilot valve With single solenoid	1.5			
	Pilot valve With double solenoid	2.2			
	4WEH valve	6.5	7.3	16.5	39.5

Ordering Details

4WEH	25	E	50	0	G24	N
Sort	Nominal Size	Symbols	Series Number	Pilot solenoid valve spool return	Input Voltage	Manual override
4WEH: Solenoid pilot Operated directional valve 4WH: Hydraulic Operated Directional valve	10:NG10 Cetop5 16:NG16 Cetop7 25:NG25 Cetop8 32:NG32 Cetop10	See Symbols List	20:NG10 50:NG16 NG25, NG32	No code: Spring return O: Without spring return OF: Without spring return with detent	G12:DC12 G24:DC24 W220:AC220 W110:AC110 W220R:RAC220 W110R:RAC110	No code: Without Manual override N:With manual override

ET	S	Z4L	P4.5	*
Oil Control	Shifting time adjustment	Connector Type	Pre-pressure Valve	Remark
See oil Control list	No code: Without shifting Time adjustment S: Shifting time adjustment As meter-in control S2: Shifting time adjustment As meter-out control	Z4:Standard Plug-in Connector Z4L: Plug-in Connector With light	No code: Without Pre-pressure Valve P4.5: With Pre-pressure Valve	Further requirements

No code	External control External drain
E	Internal control External drain
T	External control Internal drain
ET	Internal control Internal drain

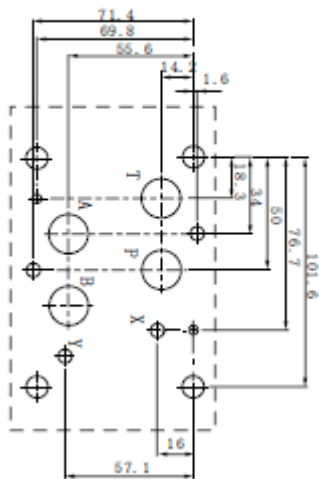


Hydraulic Solenoid Valves

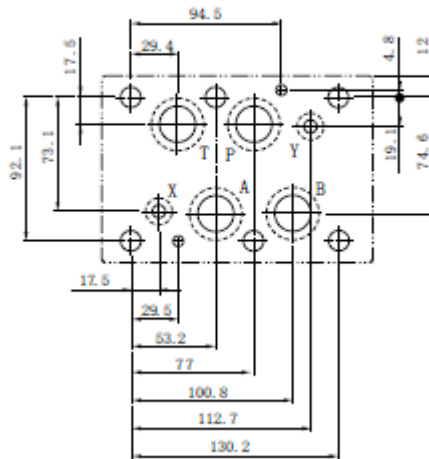
4WEH Series Solenoid Pilot/Hydraulic Operated Directional Control Valve

Mounting Dimen-

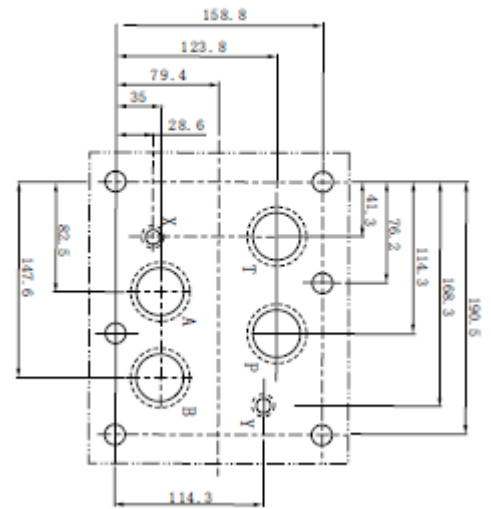
4WE16



4WE25



4WE32



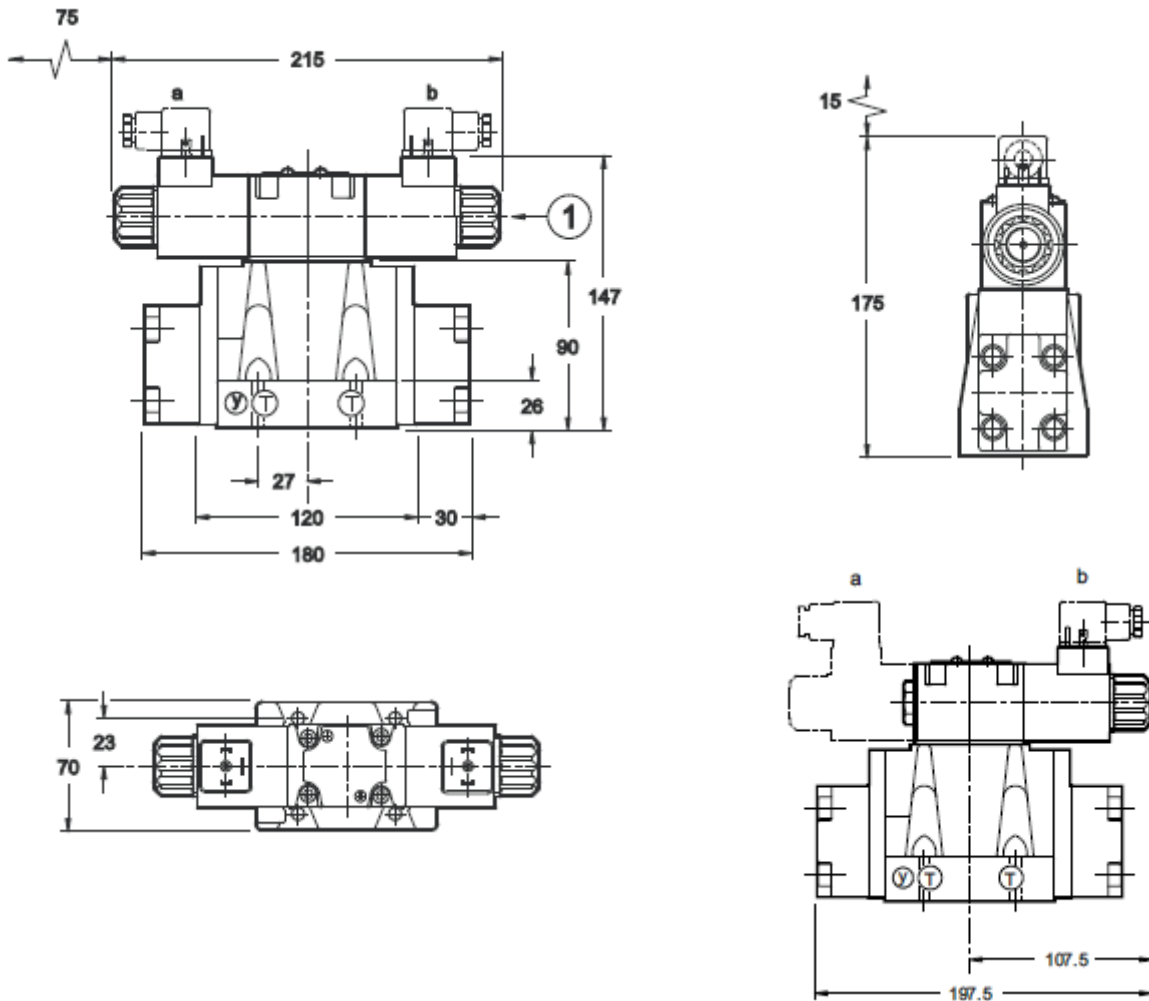


Hydraulic Solenoid Valves

4WEH Series Solenoid Pilot/Hydraulic Operated Directional Control Valve

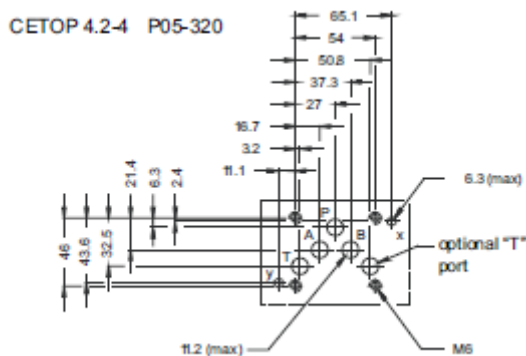
Mounting Dimen-

4WEH10

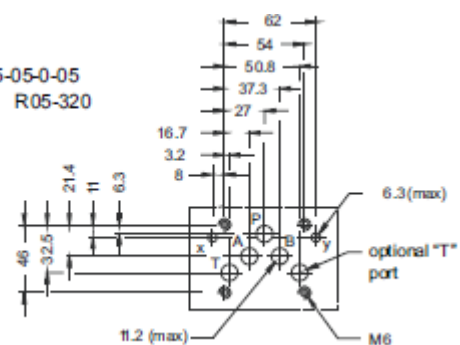


Mounting Surface (Standard)

Valves with ISO 4401-05-05-0-05 (CETOP R05) mounting interface are available upon request



ISO 4401-05-05-0-05
CETOP 4.2-4 R05-320

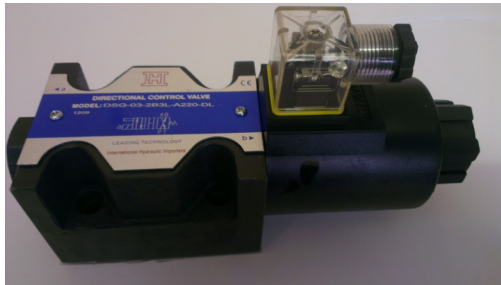


Hydraulic Solenoid Valves

DSG Series Solenoid Directional Control Valves

DSG series directional control valves are solenoid operated directional spool valves, these valves are used to the start , stop and direct oil flow

Technical Specification



Model		DSG-02	DS-02-*-M	DSG-03	DSG-03-*-M
Max. flow rate		63	40	120	80
Working pressure		A,B,P port 31	A,B,P port 21	A,B,P port 31.5	A,B,P port 21
		T port 16	T port 14	T port 16	T port 16
Weight (kgs)	Single Solenoid	Plug-in connector: 1.5 Wire box: 2.5		Plug-in connector: 4.8 Wire box: 5.2	
	Double Solenoids	Plug-in connector: 2.2 Wire box: 2.5		Plug-in Connector:6.1 Wire box: 6.5	

Ordering Details

DS	L	G	02	3C2	A240	LW	LS	M
Sort	Low watt	Mounting type	Nominal Size	Symbols	Input Voltage	Connector type	Additional Function	Other series
4/3 and 4/2 Solenoid Operated Directional valve	No code: Standard L: Low watt	Subplate Mounting	02: NG6 Cetop 3 03: NG10 Cetop5	See Symbol List	See Voltage List	LW: Wire box With light DL: Plug-in connector With light	No code: Standard LS: With the Function Of low impact	No code: Standard M: Shock absorption



Hydraulic Solenoid Valves

DSG Series Solenoid Directional Control Valves

Symbol List



Voltage list

A240	AC240/60HZ, AC220/50HZ
A220	AC220/60HZ, AC220/50HZ
A120	AC120/60HZ, AC110/50HZ
A110	AC110/60HZ, AC100/50HZ
R240	AC240/60HZ, AC220/50HZ
R220	AC220/60HZ, AC220/50HZ
R120	AC120/60HZ, AC110/50HZ
R110	AC110/60HZ, AC100/50HZ
D24	DC24
D12	DC12



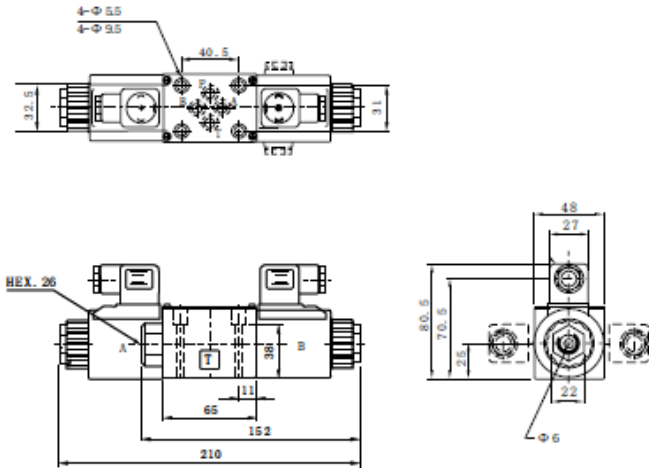
Hydraulic Solenoid Valves

DSG Series Solenoid Directional Control Valves

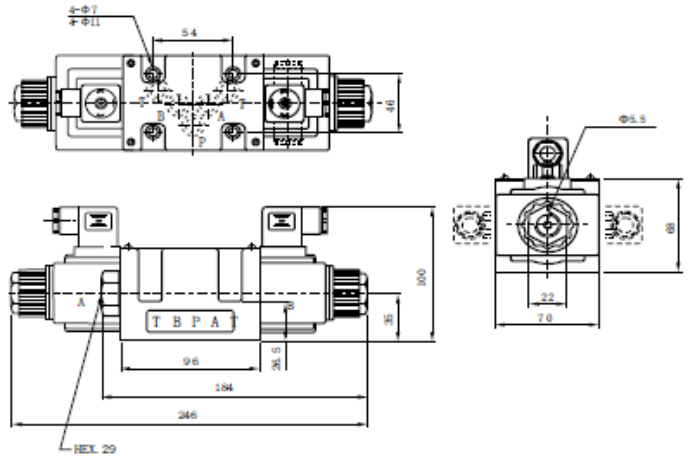
Mounting Dimensions

Unit: mm

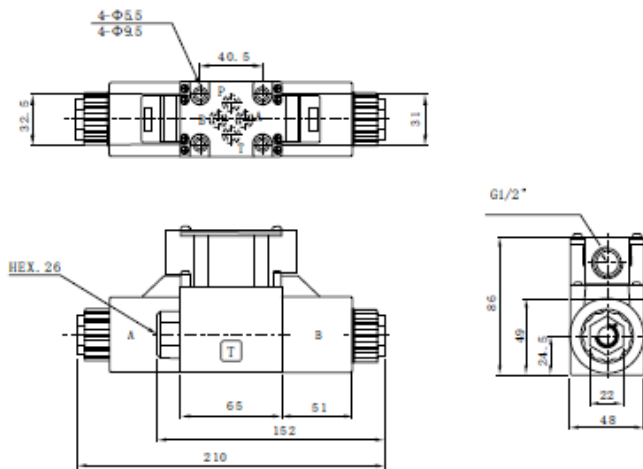
DSG-02-∗ -DL



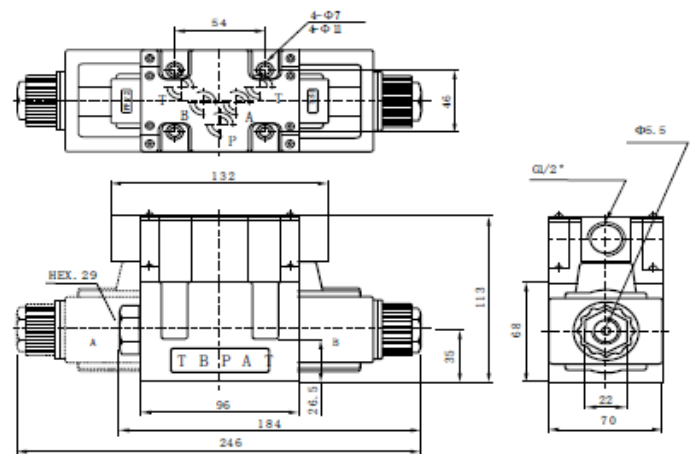
DSG-03-∗ -DL



DSG-02-∗ -LW

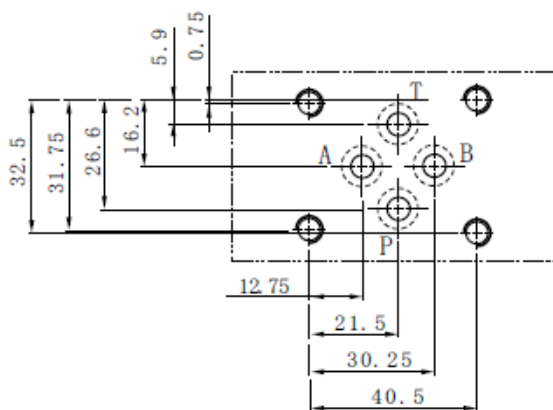


DSG-03-∗ -LW



Mounting Dimensions

DSG-02



DSG-03

