

Pneumatics Nylon & PU Tubing

Nylon Tubing



Part No	Size O.D.	Wall Thickness	Price
N1112-04x1.0	4	1.0	
N1112-06x1.0	6	1.0	
N1112-08x1.0	8	1.0	
N1112-09x1.0	9	1.0	
N1112-10x1.0	10	1.0	
N1112-11x1.5	11	1.5	
N1112-12x1.5	12	1.5	
N1112-13x1.5	13	1.5	
N1112-15x1.5	15	1.5	
N1112-16x2.0	16	2.0	

PU Tubing



Part No	Size O.D. (mm)	Size I.D. (mm)	Price
PU4*2.5	4	2.5	
PU6*4	6	4	
PU8*5.5	8	5.5	
PU8*5	8	5	
PU10*6.5	10	6.5	
PU12*8	12	8	
PU14*10	14	10	
PU16*12	16	12	

PUL Suzi Coilspring



Part No	Size O.D. (mm)	Size I.D. (mm)	Price
PUL8X5	8	5	
PUL12X8	12	8	

*Available In All Colours

*Other Sizes are available on request

Pneumatics Fittings

FPU (Straight Connector)



Part No	Size (mm)	Price
FPU4	4	
FPU6	6	
FPU8	8	
FPU10	10	
FPU12	12	
FPU16	16	

FPV (90° Connector)



Part No	Size(mm)	Price
FPV4	4	
FPV6	6	
FPV8	8	
FPV10	10	
FPV12	12	
FPV16	16	

FPE (Tee Connector)



Part No	Size(mm)	Price
FPE4	4	
FPE6	6	
FPE8	8	
FPE10	10	
FPE12	12	
FPE16	16	

Pneumatics Fittings

FPG (Un-Equal Connectors)



Part No	Size (mm)	Price
FPG6-4	6 - 4	
FPG8-4	8 - 4	
FPG8-6	8 - 6	
FPG10-6	10 - 6	
FPG10-8	10 - 8	
FPG12-6	12 - 6	
FPG12-8	12 - 8	
FPG12-10	12 - 10	
FPG16-12	16 - 12	

FPT (Unequal Tee Connectors)



Part No	Size(mm)	Price
FPT6-4	6x6x4	
FPT8-4	8x8x4	
FPT8-6	8x8x6	
FPT10-6	10x10x6	
FPT10-8	10x10x8	
FPT12-6	12x12x6	
FPT12-8	12x12x8	
FPT12-10	12x12x10	

Pneumatics Fittings

FPC (Straight Connector NPT Thread)



Part No	Size (mm)	Size	Price
FPC4-01	4	1/8	
FPC4-02	4	1/4	
FPC4-M5	4	(5X1)	
FPC6-01	6	1/8	
FPC6-02	6	1/4	
FPC6-03	6	3/8	
FPC6-04	6	1/2	
FPC6-M5	6	(5X1)	
FPC8-01	8	1/8	
FPC8-02	8	1/4	
FPC8-03	8	3/8	
FPC8-04	8	1/2	
FPC10-01	10	1/8	
FPC10-02	10	1/4	
FPC10-03	10	3/8	
FPC10-04	10	1/2	
FPC12-01	12	1/8	
FPC12-02	12	1/4	
FPC12-03	12	3/8	
FPC12-04	12	1/2	
FPC16-01	16	1/8	
FPC16-02	16	1/4	
FPC16-03	16	3/8	
FPC16-04	16	1/2	

Pneumatics Fittings

FPL (90° Connector NPT Thread)



Part No	Size (mm)	Size	Price
FPL4-01	4	1/8	
FPL4-02	4	1/4	
FPL4-M5	4	(5X1)	
FPL6-01	6	1/8	
FPL6-02	6	1/4	
FPL6-03	6	3/8	
FPL6-04	6	1/2	
FPL6-M5	6	(5X1)	
FPL8-01	8	1/8	
FPL8-02	8	1/4	
FPL8-03	8	3/8	
FPL8-04	8	1/2	
FPL10-01	10	1/8	
FPL10-02	10	1/4	
FPL10-03	10	3/8	
FPL10-04	10	1/2	
FPL12-01	12	1/8	
FPL12-02	12	1/4	
FPL12-03	12	3/8	
FPL12-04	12	1/2	
FPL16-03	16	3/8	
FPL16-04	16	1/2	

Pneumatics Fittings

FJSC (Flow Control NPT Thread)



Part No	Size (mm)	Size	Price
FJSC4-01	4	1/8	
FJSC4-02	4	1/4	
FJSC4-M5	4	(5X1)	
FJSC6-01	6	1/8	
FJSC6-02	6	1/4	
FJSC6-03	6	3/8	
FJSC6-04	6	1/2	
FJSC6-M5	6	(5X1)	
FJSC8-01	8	1/8	
FJSC8-02	8	1/4	
FJSC8-03	8	3/8	
FJSC8-04	8	1/2	
FJSC10-01	10	1/8	
FJSC10-02	10	1/4	
FJSC10-03	10	3/8	
FJSC10-04	10	1/2	
FJSC12-01	12	1/8	
FJSC12-02	12	1/4	
FJSC12-03	12	3/8	
FJSC12-04	12	1/2	

FJSC (Flow Control NPT Thread)



Part No	Size (mm)	Price
FPAC4	4	
FPAC6	6	
FPAC8	8	
FPAC10	10	
FPAC12	12	

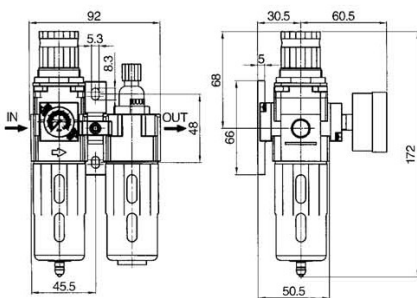
Air Source Treatment Unit

Filter Regulator + Lubricator

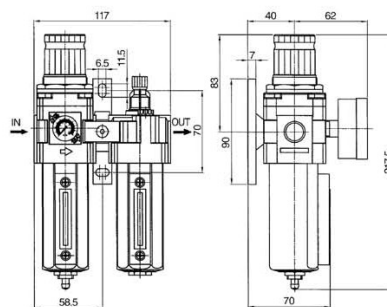
Technical Specification

Type		AC201A-01J,02J	AC301A-02J,03J	AC401A-03J,04J	AC501A-06J,08J	AC601A-06J,08J
Port Size G		1/8" - 1/4"	1/4" - 3/8"	3/8" - 1/2"	3/4" - 1"	3/4" - 1"
Gauge Thread G		1/8"			1/4"	
Fluid		Compressed Air				
Operating Pressure Range MPa		0.15 ~ 0.85				
Max.Flow rate L/min		500	1700	3000	5000	5000
Ambient Temperature °C		-10 ~ 60				
Filter Precision		Standard: 20 μ m				
Oil Recommended		ISO VG32				
Cup Material		Metal				
Structure		Overflow Type				
Optional	Guard Cup	-	●	●	●	●
	Bracket	20T	30T	40T	50T	50T

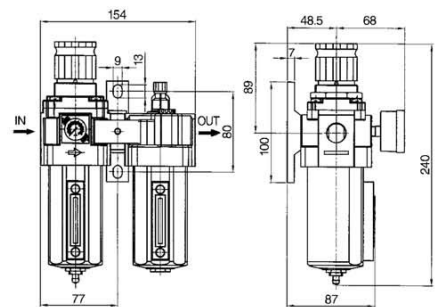
AC201A-01J,02J



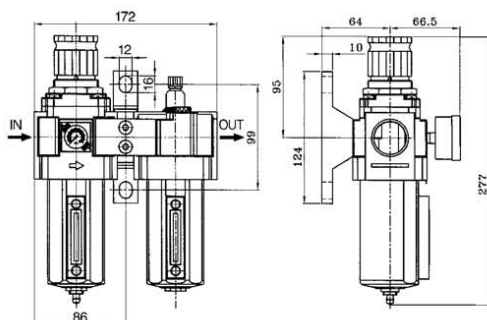
AC301A-02J,03J



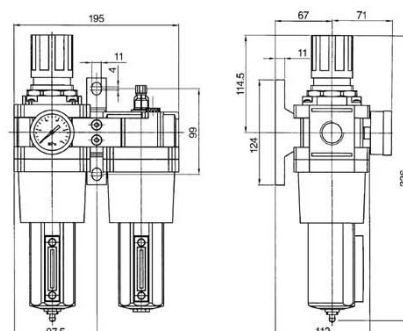
AC401A-03J,04J



AC501A-06J,08J



AC601A-06J,08J



Air Source Treatment Unit

Filter Regulator + Lubricator

Technical Specification

Type	AR900-15	AR900-20
Port Size G	1 1/2"	2"
Gauge Thread G	1/4"	
Fluid	Compressed Air	
Operating Pressure Range MPa	0.15 ~ 0.85	
Ambient Temperature °C	-10 ~ 60	



Air Source Treatment Unit

Filter Regulator + Lubricator

Technical Specification

Type	FR/L-02
Port Size G	1/4"
Gauge Thread G	1/4"
Fluid	Compressed Air
Operating Pressure Range MPa	0.15 ~ 0.85
Max.Flow Rate L/min	1850
Ambient Temperature °C	-10 ~60
Filter Precision	Standard: 20 μ m
Oil Recommended	ISO VG32
Cup Material	Polycarbonate
Structure	Piston Type
Optional	-



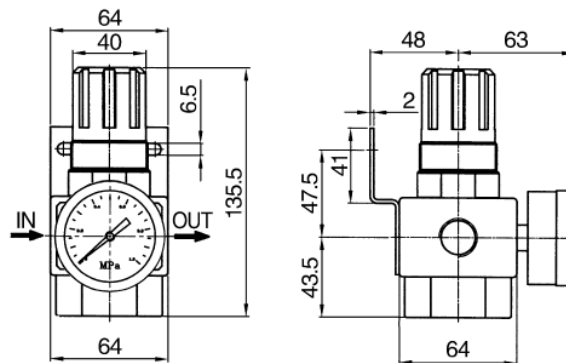
Air Source Treatment Unit

Filter Regulator + Lubricator

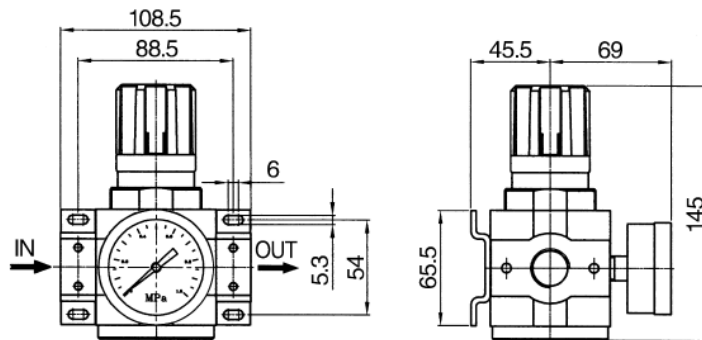
Technical Specification

Type	UR-02	UR-03	UR-04	UR-06	UR-08
Port Size G	1/4"	3/8"	1/2"	3/4"	1"
Gauge Thread G	1/4"				
Fluid	Compressed Air				
Operating Pressure Range MPa	0.1 ~ 0.85				
Max.Flow rate L/min	1546	2050	2500	7900	8100
Ambient Temperature °C	-10 ~ 60				
Structure	Piston Type				

UR-02,03,04



UR-06,08



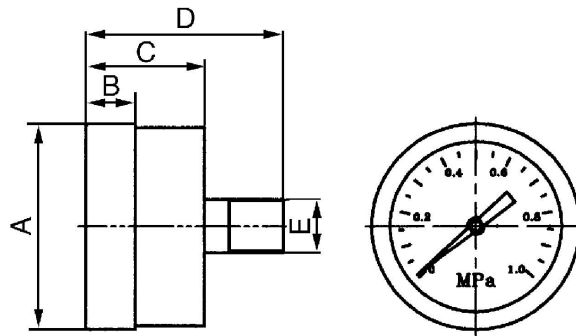
Air Source Treatment Unit

Filter Regulator + Lubricator

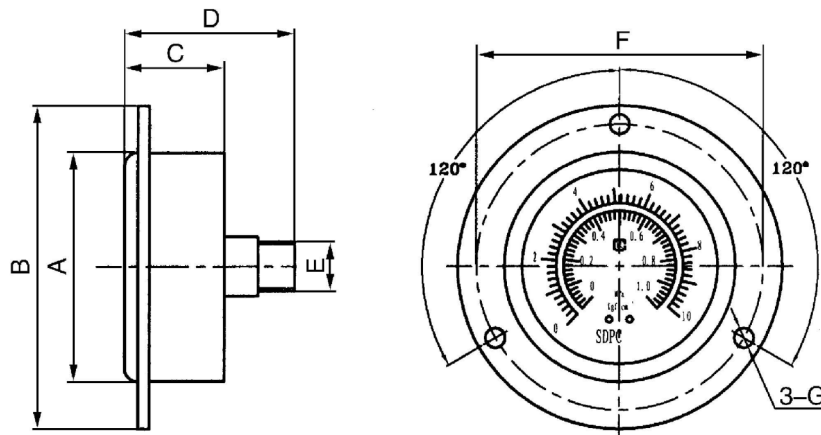
Technical Specification

Type	GS-40	GS-50	GF-40	GF-50	GF-60
Fluid	Compressed Air				
Port Size G	1/4"	1/4"	1/8"	1/4"	1/4"
Pressure Range Mpa	0 ~ 10				
Max. Pressure Mpa	1				
Ambient Temperature °C	-10 ~ 70				

GS Series



GF Series

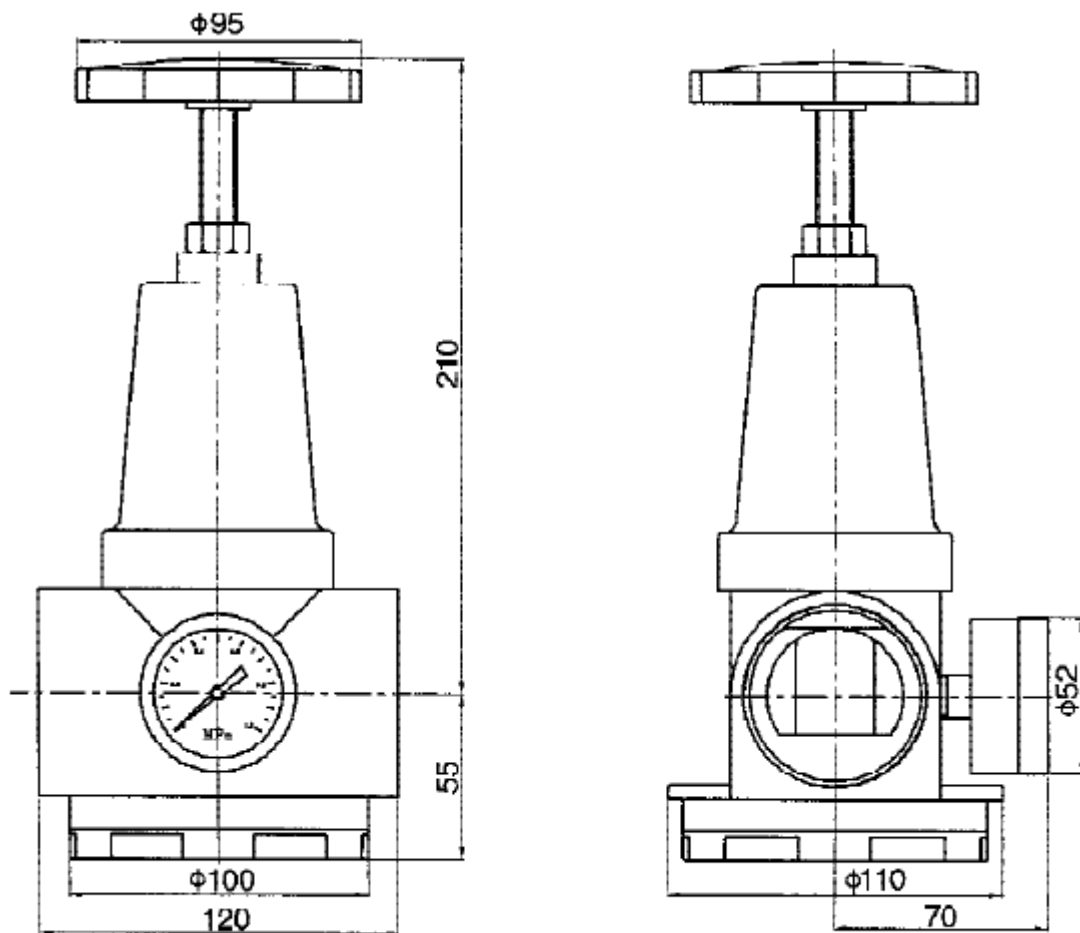


Max Flow Air Treatment

Regulator

Technical Specification

Type	AR900-15	AR900-20
Port Size G	1 1/2"	2"
Gauge Thread G	1/4"	
Fluid	Compressed Air	
Operating Pressure Range MPa	0.15 ~ 0.85	
Ambient Temperature °C	-10 ~ 60	



Pneumatic Control Valve

Solenoid Valve/Air Control Valve

Technical Specification

Type	4V310-10	4M310-08
Position Number	2 (3) Position 5 Ports Solenoid Valve	2 Position 5 ports Panel Type
Effective Sectional Area	30mm ² (CV=1.68)	
Fluid	Compressed Air	
Acting Type	Internally Pilot-Actuated	
Working Pressure MPa	0.2 ~ 0.8	
Ambient Temperature °C	-5~50	
Voltage Range	± 10%	

4V310-10



4M310,320,330



* We Also Do 4H And 4F

Pneumatic Control Valve

Solenoid Valve

Technical Specification

Type	25110-06	25320-10
Position Number	2 Position 5Way	2 Position 5Way
Effective Sectional Area	12mm ² (CV=0.67)	25mm ² (CV=1.40)
Fluid	Compressed Air	
Acting Type	Internally Pilot-Actuated	
Working Pressure MPa	0.2 ~ 0.8	
Ambient Temperature °C	-5~50	
Voltage Range	± 10%	

25110-06



25320-10



Pneumatic Control Valve

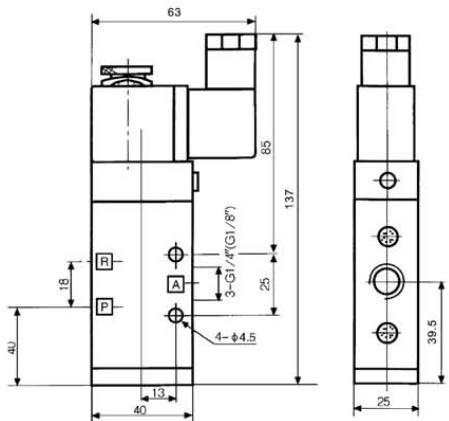
Solenoid Valve

Technical Specification

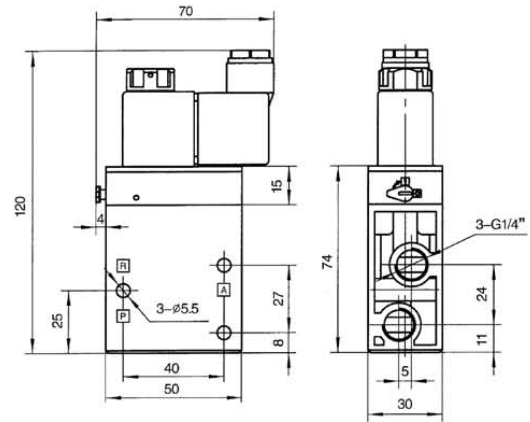
Type	S230601A	S230801A	S230801	S231501
Position Number	2 Position 3 Way			
Acting Type	Internally Pilot-Actuated			
Port Size G	1/8"	1/4"	1/4"	1/2"
Fluid	Compressed Air			
Operating Pressure Range MPa	0.2 ~ 0.8			
Ambient Temperature °C	-5~60°C			
Voltage Range	± 10%			

S230601A

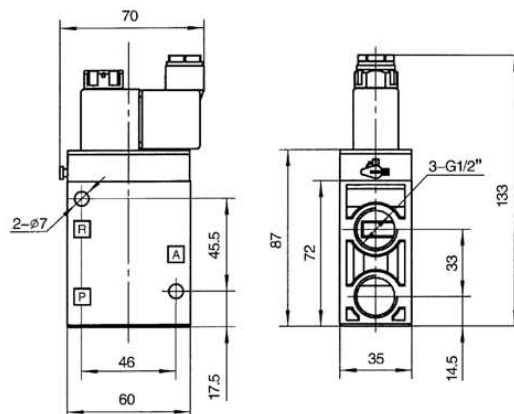
S230801A



S230801



S231501



Pneumatic Control Valve

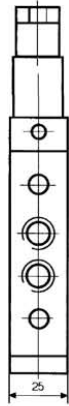
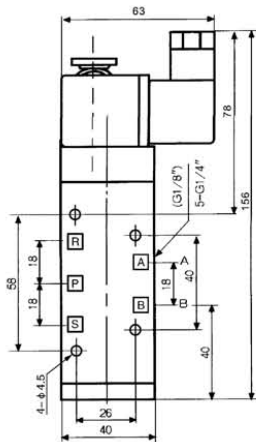
Solenoid Valve

Technical Specification

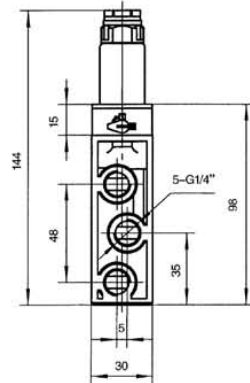
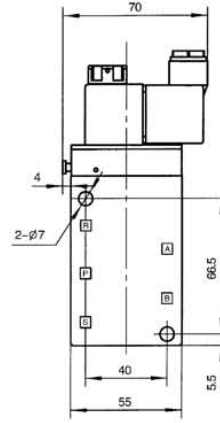
Type	S250601A	S250801A	S250801	S251501
Position Number	2 Position 5 Way			
Acting Type	Internally Pilot-Actuated			
Port Size G	1/8"	1/4"	1/4"	1/2"
Fluid	Compressed Air			
Operating Pressure Range MPa	0.2 ~ 0.8			
Ambient Temperature °C	-5~60°C			
Voltage Range	± 10%			

S250601A

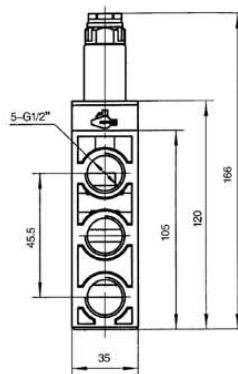
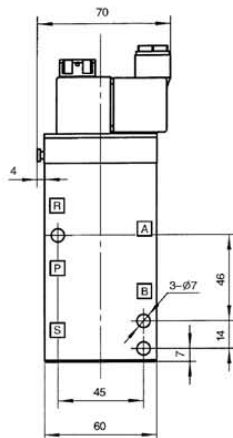
S250801A



S250801



S251501



Pneumatic Control Valve

Solenoid Valve

Technical Specification

Type	PU220-06	PU220-08	PU220-10	PU220-15
Fluid	Air, Water, Oil			
Acting Type	Directly Operated			
Type	Normally Closed			
Port Size G	1/8"	1/4"	3/8"	1/2"
Operating Pressure MPa	0 ~ 0.8			
Ambient Temperature °C	-5~80°C			

PU220



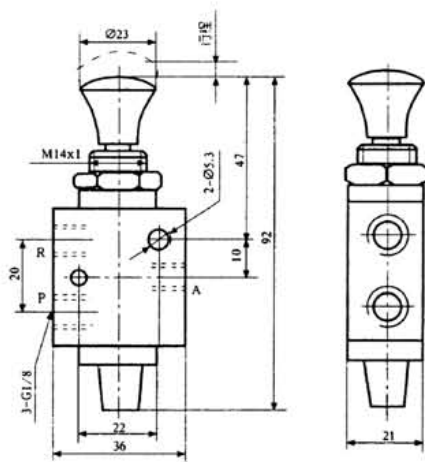
Pneumatic Control Valve

Hand Valve

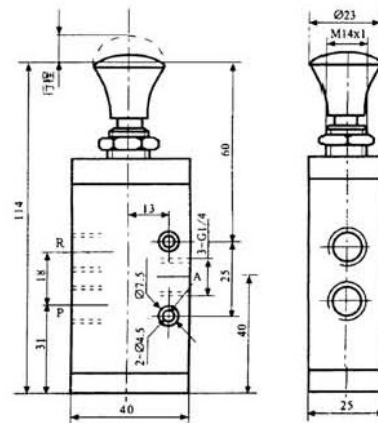
Technical Specification

Type	S230605A	S230805A	S230805	S231505
Position Number	2 Position 3 Way			
Acting Type	Internally Pilot-Actuated			
Port Size G	1/8"	1/4"		1/2"
Fluid	Compressed Air			
Ambient Temperature °C	-5~60°C			
Operating Pressure MPa	0.2 ~ 0.8			

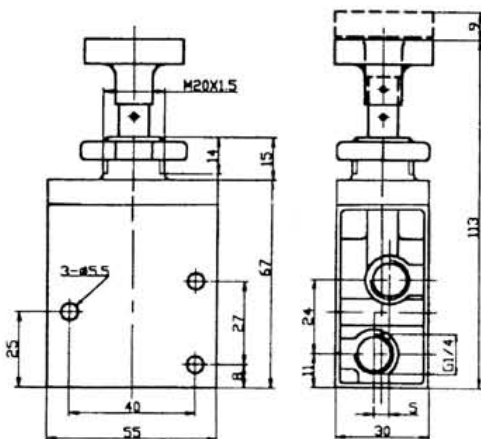
S230605A



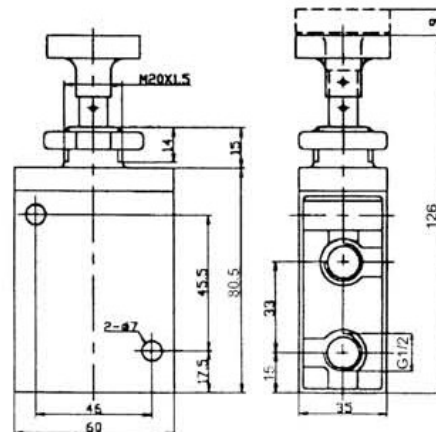
S230805A



S230805



S231505

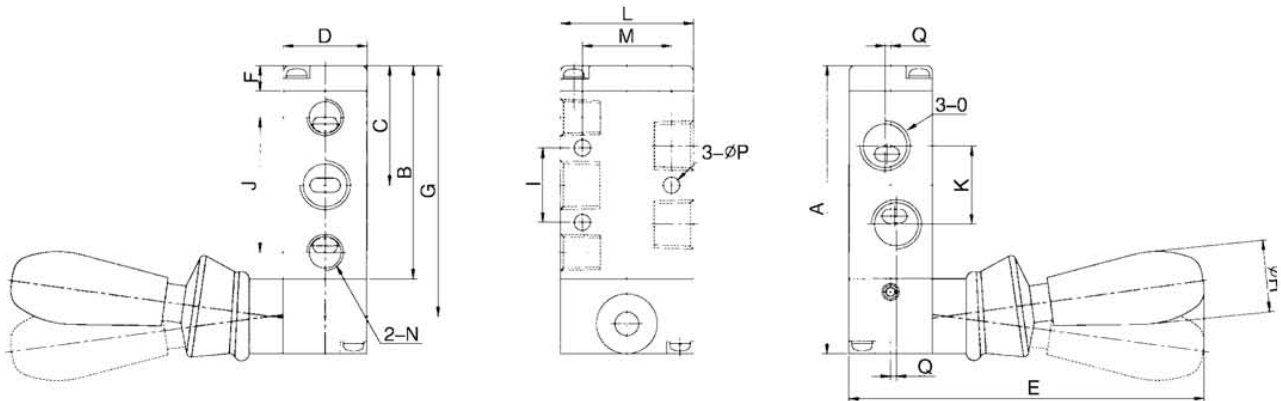


Pneumatic Control Valve

Hand-pull Valve

Technical Specification

Type	4H210-08	4H230-08	4H310-10	4H330-10	4H410-15
Position Number	2 Position 5 Way	3 Position 5 Way	2 Position 5 Way	3 Position 5 Way	2 Position 5 Way
Fluid	Compressed Air (Filtered, 40um)				
Acting Type	Directly				
Port Size	Input=Output=Exhausted	Input=Output=G1/4" Exhausted=G1/8"	Input=Output=Exhausted =G1/4"	Input=Output=G3/8" Exhausted=G1/4"	Input=Output=Exhausted =G1/2"
Operating Pressure MPa	0.2 ~ 0.8				
Ambient Temperature	-5 ~ 60				



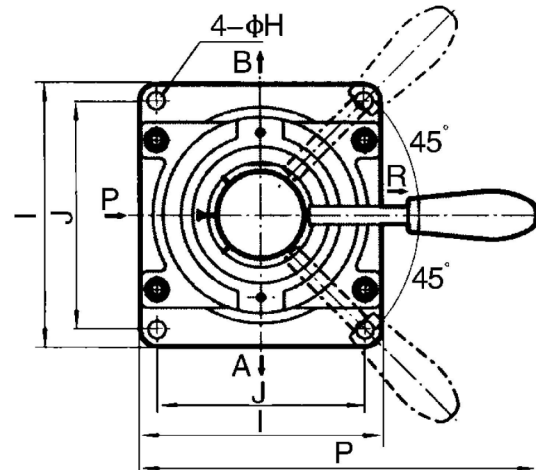
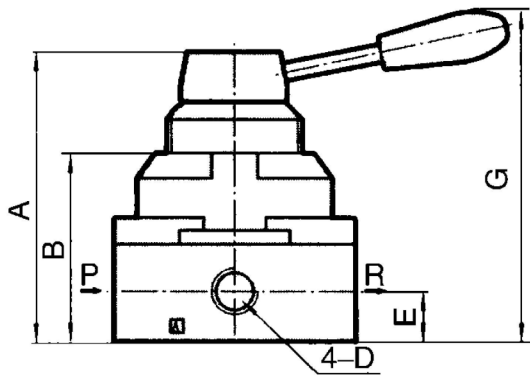
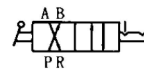
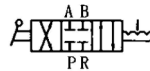
Pneumatic Control Valve

Hand-Switching Valve

Technical Specification

Type	HV2□□-08	HV3□□-08	HV3□□-10	HV3□□-15
Medium	Compressed Air			
Position Number	2 Position 4 Way/3Position 4 Way			
Port Size G	1/4"		3/8"	1/2"
Operating Pressure MPa	0.2 ~ 0.8			
Ambient Temperature Range	-5 ~ 60°C			
Operating Angle	90°			

Panel Mounting

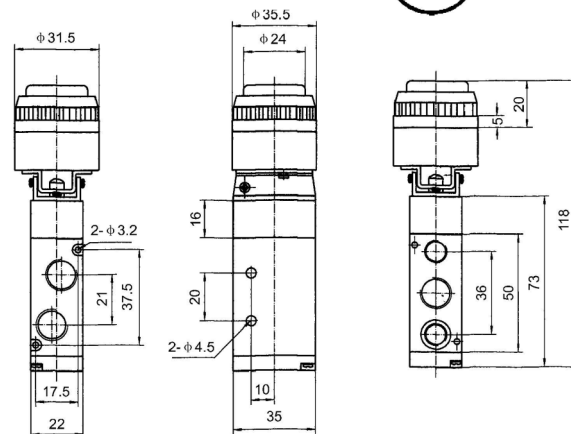
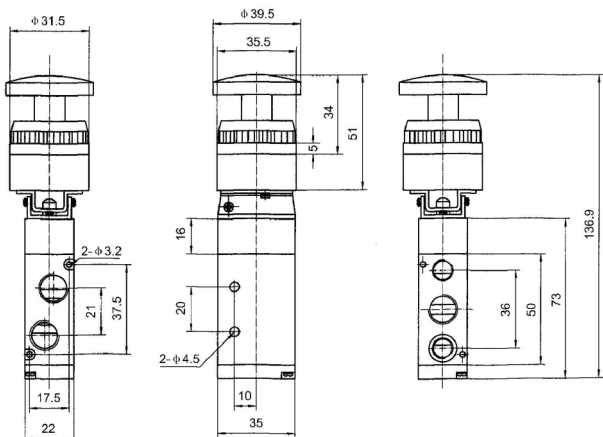
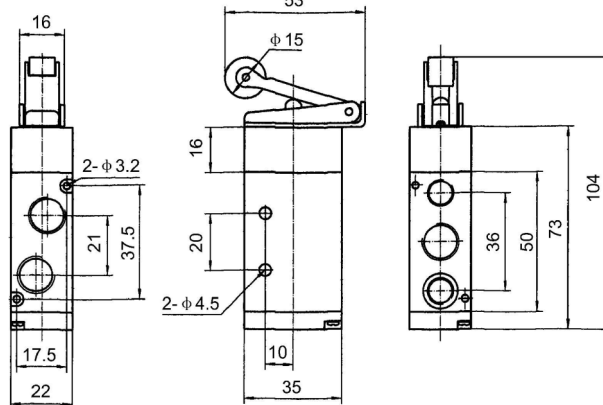
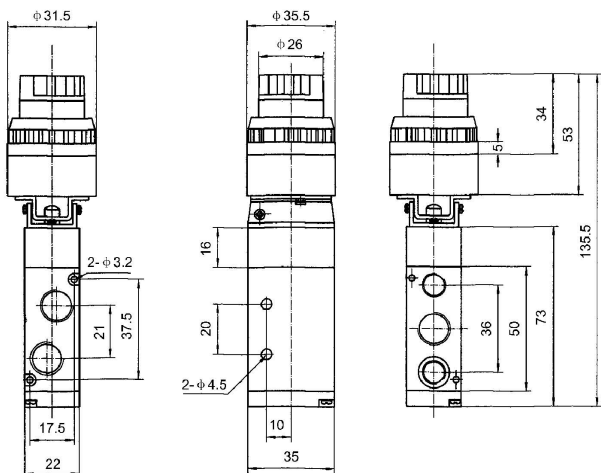


Pneumatic Control Valve

Mechanical Valve

Technical Specification

Type	JMJ-01, 02, 03, 04
Port Size G	1/4"
Fluid	Compressed Air
Temperature Range	-5 ~ 60°C
Operating Pressure Mpa	0.2 - 0.8



Pneumatic Control Valve

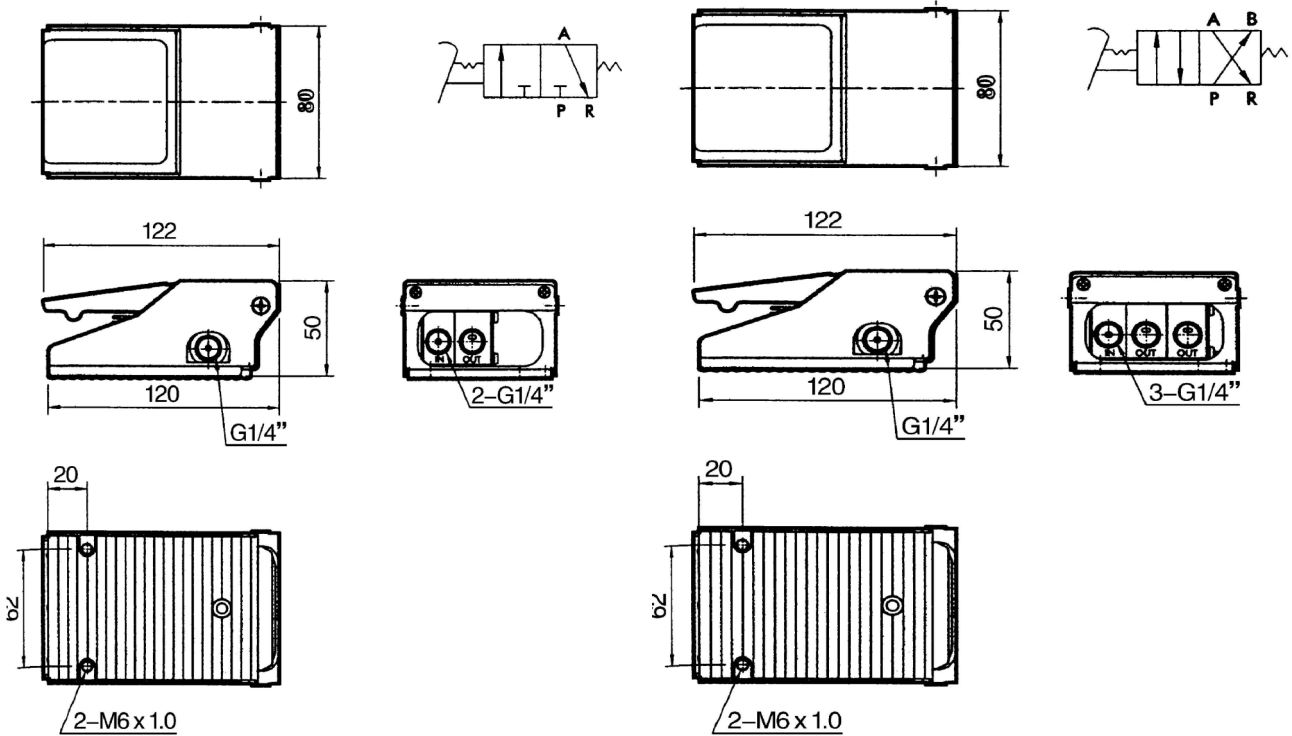
Foot Valve

Technical Specification

Type	FV230	FV240
Position Number	2 Position 3Way	2 Position 4 Way
Port Size G	1/4"	
Fluid	Compressed Air	
Operating Pressure Mpa	0.2 ~ 0.7	
Temperature Range	5 ~ 60°C	

FV230

FV240



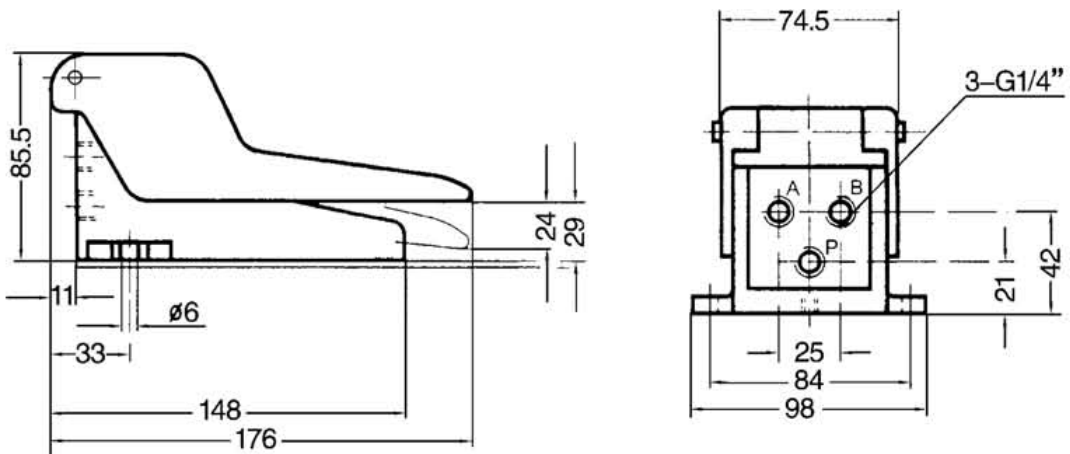
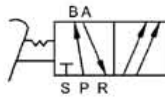
Pneumatic Control Valve

Foot Valve

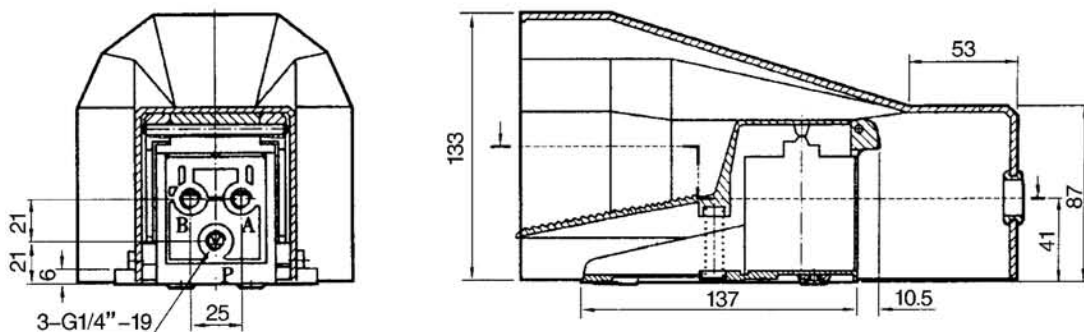
Technical Specification

Type	4F210-08	4F210-08G
Port Size G	1/4"	
Fluid	Compressed Air	
Acting Type	Directly Operated	
Operating Pressure Mpa	0.2 ~ 0.8	
Temperature Range	5 ~ 60°C	

4F210-08



4F210-08G

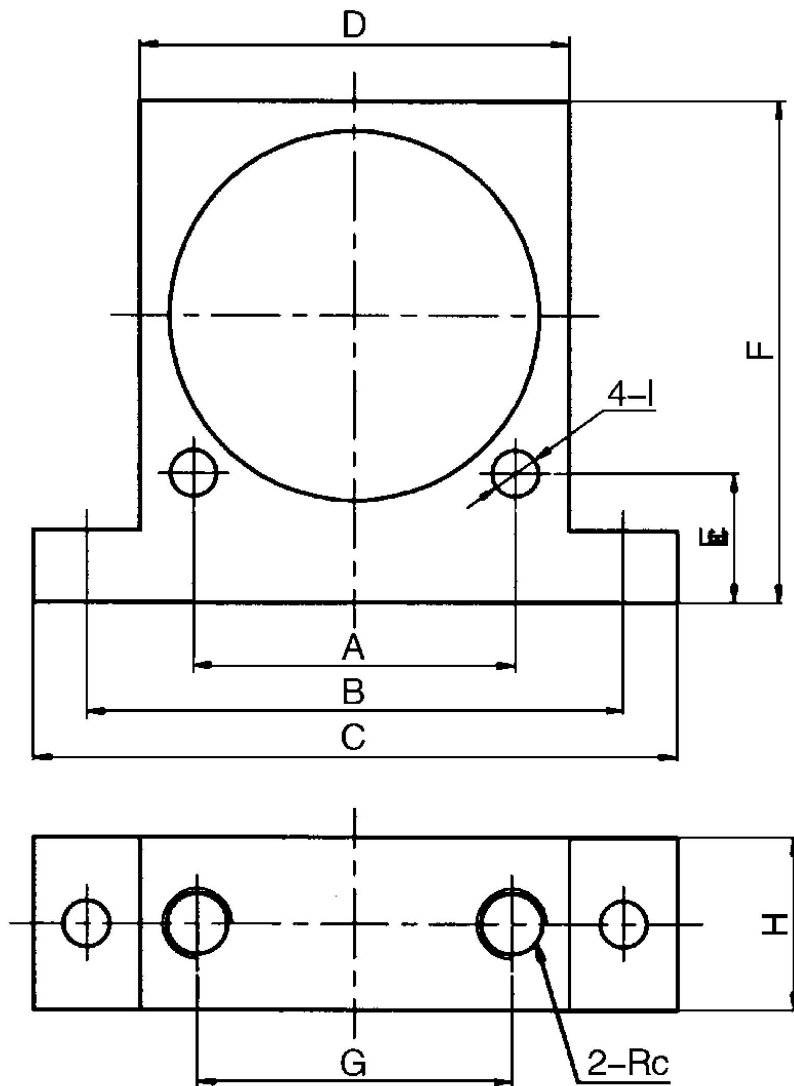


Pneumatic Control Valve

Vibrator

Technical Specification

Type	NK-08	NK-10
Port Size G	1/4"	3/8"
Operating Pressure Mpa	0.15~ 0.8	
Temperature Range	-5 ~ 60°C	



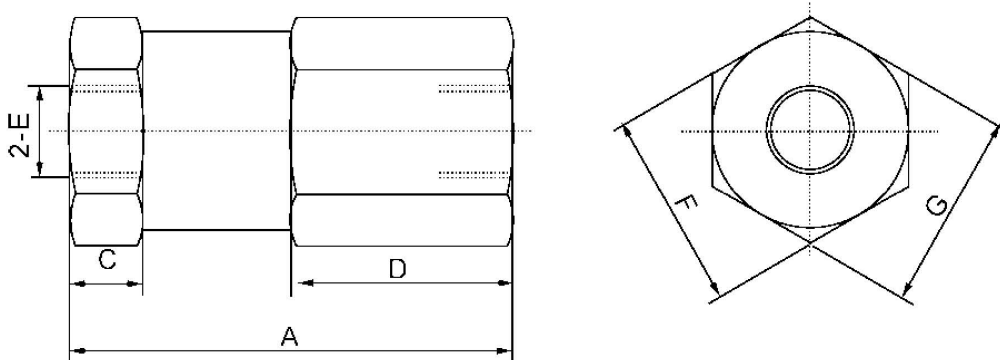
Pneumatic Control Valve

Check Valve

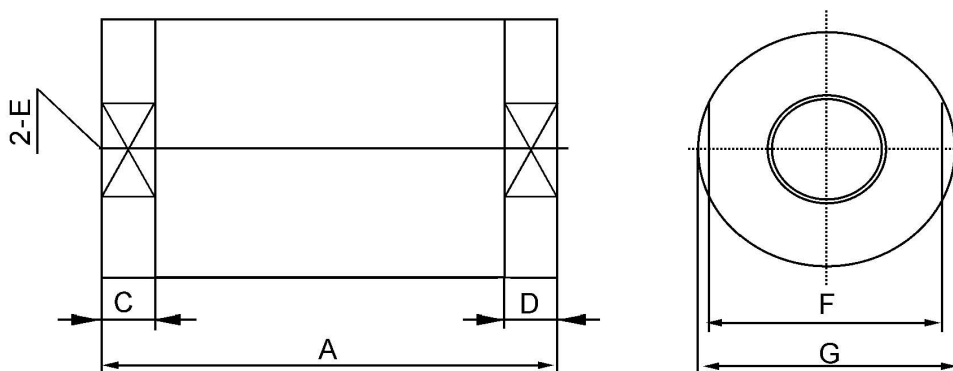
Technical Specification

Type	KA-06	KA-08	KA-10	KA-15	KA-20	KA-25
Fluid	Compressed Air					
Calibre Code	06	08	10	15	20	25
Port Size G	G1/8"	G1/4"	G3/8"	G1/2"	G3/4"	G1"
Operating Pressure Mpa	0.2~ 0.8					
Temperature Range	-5 ~ 60°C					

KA-06,08



KA-10, 15, 20, 25



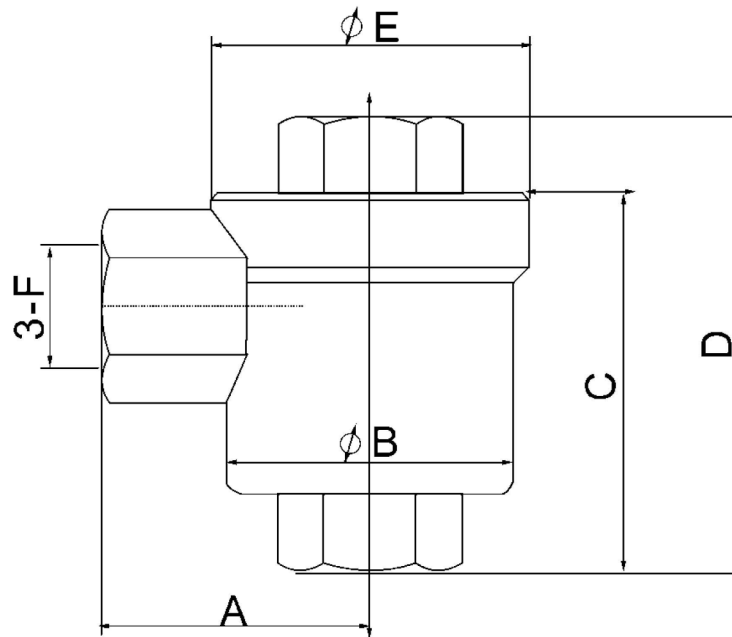
Pneumatic Control Valve

Flow Rate Control

Technical Specification

Type	SE-06	SE-08	SE-10	SE-15
Fluid	Compressed Air			
Calibre Code	06	08	10	15
Port Size G	G1/8"	G1/4"	G3/8"	G1/2"
Operating Pressure Mpa	0.2~ 0.8			
Temperature Range	-5 ~ 60°C			

SE-06, 08, 10, 15



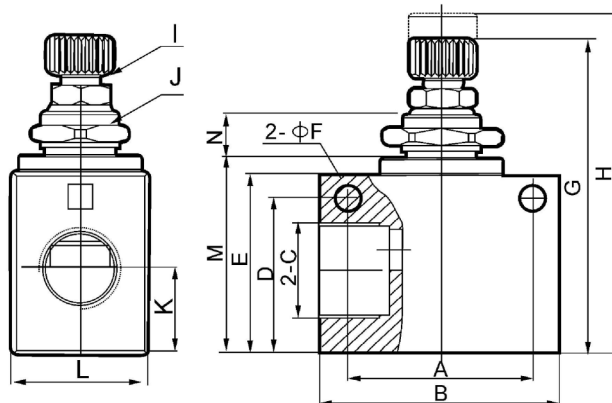
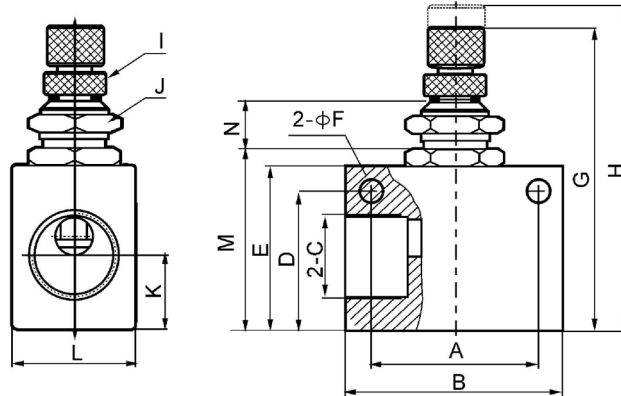
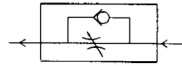
Pneumatic Control Valve

Flow Rate Control

Technical Specification

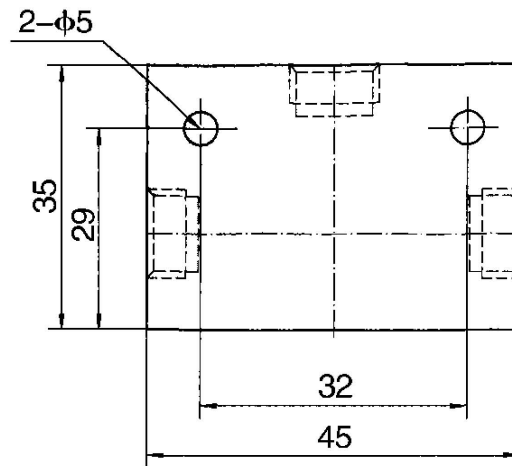
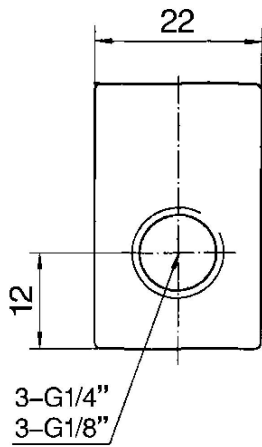
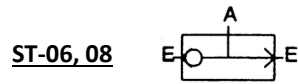
Type	KLA-06	KLA-08	KLA-10	KLA-15
Fluid	Compressed Air			
Port Size G	1/8"	1/4"	3/8"	1/2"
Operating Pressure Mpa	0.05~ 0.8			
Ambient Temperature °C	-5 ~ 60°C			
Material	Aluminium alloy			

KLA-06, 08, 10, 15



Pneumatic Control Valve

ST Shuttle Valve

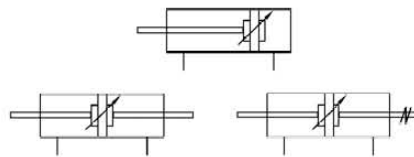


Pneumatic Cylinder

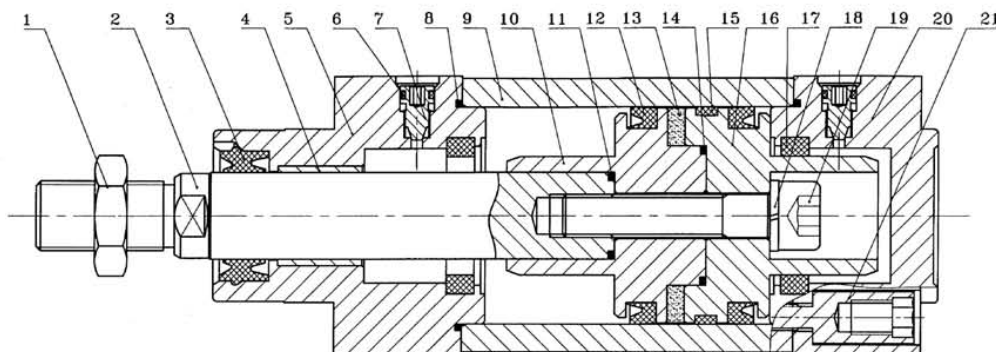
VDMA/ISO6431 Cylinder

Technical Specification

Type	32	40	50	63	80	100	125
Motion	Double Acting						
Series	DNC						
Fluid	Compressed Air						
Operating Pressure Mpa	0.1 ~ 1						
Operating Speed (mm/sec)	50 ~ 500						
Ambient Temperature (°C)	-10 ~ 70						
Cushion	Adjustable cushion at both ends						
Port Size (G)	1/8"	1/4"	3/8"		1/2"		



Inner Structure Drawing:

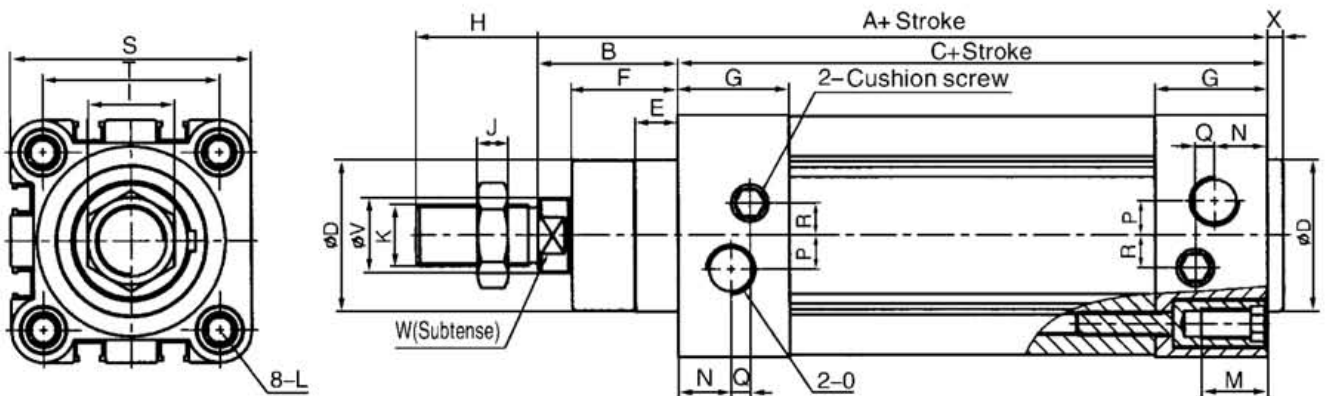


1	Hexagon nut	7	Cushion Adjustable Bolt	13	Magnet	19	Inner Hexagon Bolt
2	Piston Ring	8	O-ring	14	O-ring	20	Rear Cover
3	Compages Seal	9	Tube	15	Guard Seals	21	Cover Nut
4	Oiled Bearing	10	Piston 1	16	Piston 2		
5	Front Cover	11	O-ring	17	Compages Seal		
6	O-ring	12	Y seal	18	Spring Washer		

Pneumatic Cylinder

VDMA/ISO6431 Cylinder

DNC Series

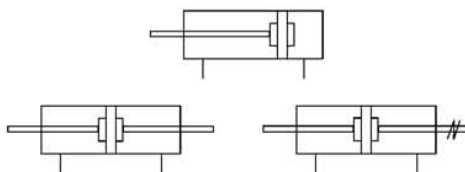


Pneumatic Cylinder

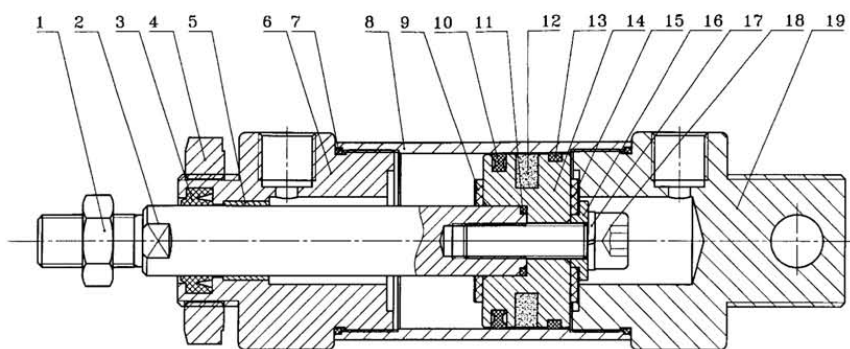
Aluminium Mini Cylinder

Technical Specification

Type	20	25	32	40
Motion	Double Acting			
Series	MAL			
Fluid	Compressed Air			
Operating Pressure Mpa	0.1 ~ 1			
Operating Speed (mm/sec)	50 ~ 500			
Ambient Temperature (°C)	-10 ~ 70			
Port Size	1/8"		1/4"	



Inner Structure Drawing:

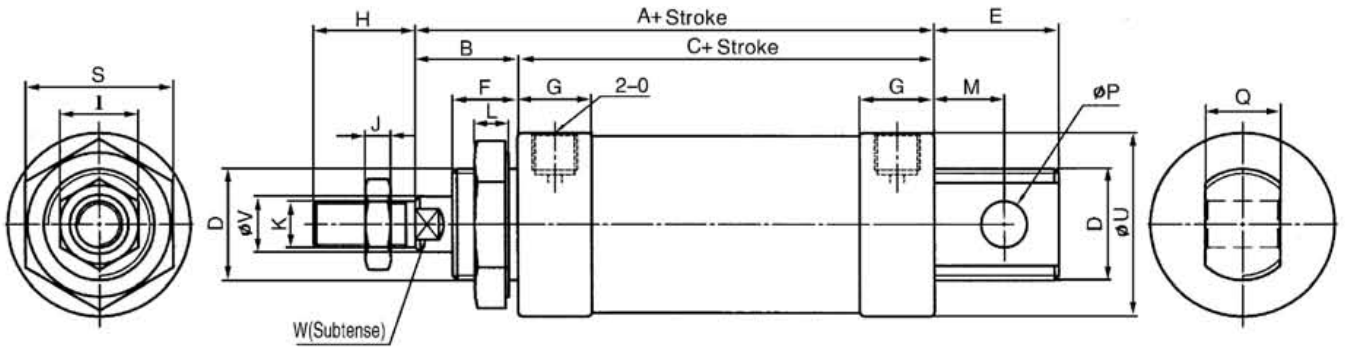


1	Hexagon nut	6	Front cover	11	O-ring	16	Washer
2	Piston Ring	7	O-ring	12	Magnet	17	Spring Washer
3	Compages Seal	9	Tube	13	Guard Seals	18	Inner Hexagon Bolt
4	Hexagon Nut	9	Crashworthy Washer	14	Piston	19	Rear Cover
5	Oiled Bearing	10	C-ring	15	Crashworthy Washer		

Pneumatic Cylinder

Aluminium Mini Cylinder

MAL Series

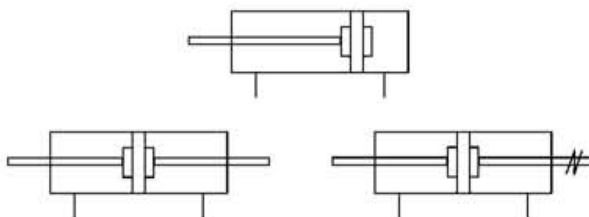


Pneumatic Cylinder

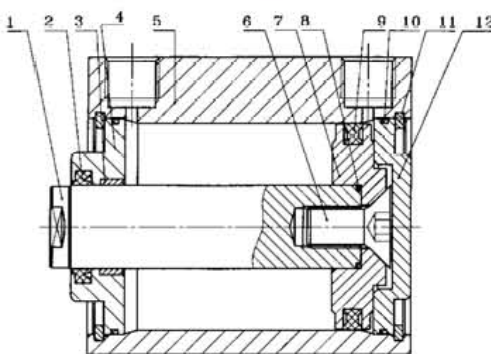
Thin Cylinder

Technical Specification

Type	12	16	20	25	32	40	50	63	80	100
Motion	Double Acting									
Series	SDA									
Fluid	Compressed Air									
Operating Pressure Mpa	0.1 ~ 0.9									
Operating Speed (mm/sec)	50 ~ 500									
Ambient Temperature (°C)	-10 ~ 70									
Port Size	M5		1/8"		1/4"		3/8"			



Inner Structure Drawing:

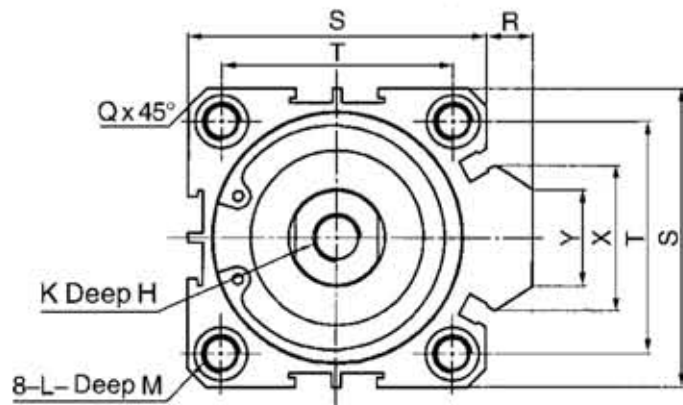
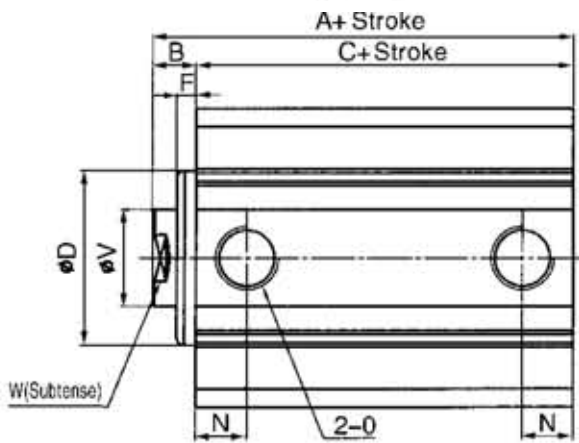
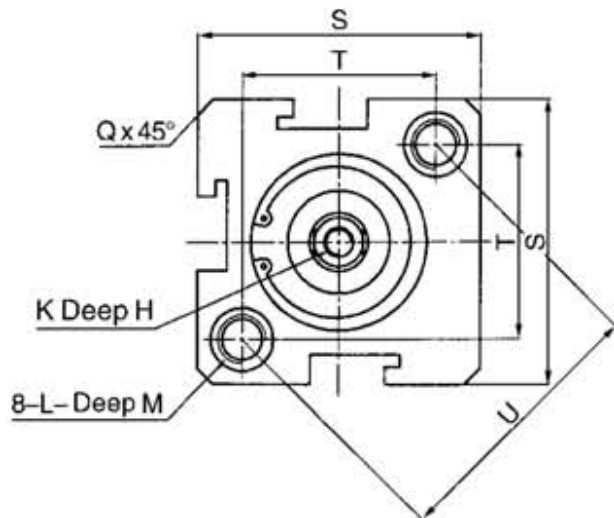
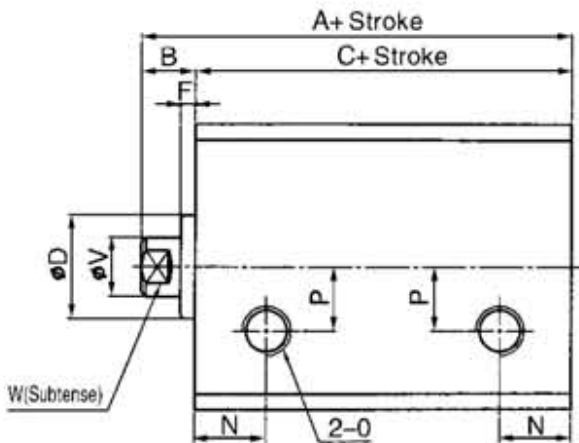


1	Piston Rod	7	Piston
2	Compages Seal	8	O-ring
3	Oiled Bearing	9	C-ring
4	Front Cover	10	O-ring
5	Tube	11	Springiness Washer
6	Inner Hexagon Bolt	12	Rear Cover

Pneumatic Cylinder

Thin Cylinder

SDA Series



Pneumatic Cylinder

Accessories Of Cylinder Joint

SG Type Y Joint



Fish Eye Joint

