

INTERNATIONAL HYDRAULIC IMPORTERS

Tel: +2721 905 6773

Fax: +2721 905 8803

Cell: +2782 893 2841



PRODUCT RANGE

Hydraulic Hose

Industrial Hose

Metalic Stainless Steel Hose

Thermoplastic Hose

Nylon Tubing

Hose Protection

Airline Hose

Hose Fittings

Adaptors

Pneumatic Fittings

Steel Tubing

Compression Fittings

Clamps Pipe & Hose

Ball Valves

Fuel Lines

Pumps

Motors

Valves

Cylinders

Marine, Agriculture, Mining Industrial, Earth Moving, General Hydraulics

Broad-based Black Economic Empowerment
VERIFICATION CERTIFICATE

Broad-based Black Economic Empowerment Verification Certificate

Certificate number: IHI/08/2015

Blackheath Hydraulic Supplies CC t/a International Hydraulic Importers

Company Registration No: 2009/204249/23
 VAT Registration No: 4780254456
 Head Office Location: 37 Cabernet Street, Saxenburg Park,
 Blackheath, 7580

Verification Standard Applied: The Codes of Good Practice issued under Section 9(1) of the Broad Based Black Empowerment Act, 2003 (Act No 53 of 2003) - Code 800, the Verification Manual published on 18/07/2008 in Government Gazette no 31255 and IRBA's SASAE 3502 on assurance engagements.

Scorecard Applied: **QSE Scorecard**

Element	Weighting	Weighted Score	
Ownership	25	27.00	
Management control	25	27.00	
Employment Equity	25	24.52	
Skills Development	25	0.00	
Preferential Procurement	25	25.00	
Enterprise Development	25	0.00	
Socio-Economic Development	25	0.00	
Overall Score	100	103.52	Points

Broad-based BEE Status Level: **Level 1 Contributor to B-BBEE**
BEE Procurement Recognition Level: **135%**
Black Ownership: **100.00%**
Black Women Ownership: **50.00%**
Value Adding Supplier (Yes/No): **Yes**

Date of Issue: 21 August 2015
Expiry date: 19 August 2016



PJH Louw, IRBA Registered Auditor Registration no. 949227 for HGGBEEadvised

COMPANY PROFILE

COMPANY NAME: INTERNATIONAL HYDRAULIC IMPORTERS

PHYSICAL ADDRESS: UNIT 3, 37 CABERNET STREET
SAXENBURG PARK
BLACKHEATH
CAPE TOWN
SOUTH AFRICA
7580

TEL: +27 21 905 6773 / +27 21 905 9374

CELL NO.'S: +27 83 330 8147
+27 82 893 2841

FAX NO.: +27 21 905 8803

E-MAIL: teneale@nhgroup.co.za; brandow@nhgroup.co.za; keegan@nhgroup.co.za

COMPANY REG. NO.: CK 2009/204249/23

VAT NO.: 4780254456

CORE ACTIVITIES: INTERNATIONAL HYDRAULIC IMPORTERS IS AN IMPORTER OF HYDRAULIC AND PNEUMATIC EQUIPMENT. WE IMPORT FROM DIFFERENT PARTS OF THE WORLD. WE SUPPLY OUR PRODUCTS TO MAJOR PLAYERS IN THE MARKET LOCALLY ASWELL AS NATIONALLY.

BANKER: FIRST NATIONAL BANK, STRAND STREET, KUILSRIVER

INTERNATIONAL HYDRAULIC IMPORTERS

COMPANY PROFILE

BACKGROUND: Neale Williams commenced his career in Hydraulics and completed his artisanship at Trans Global and Safmarine, where he worked for seven years. He obtained the government ticket in coastal marine engineering. He moved on to spend four years at Hymatic. He then moved on to find new challenges at Reunert Hydraulic working there for three years. The following five years he worked at Petrel ics, working there for three years. The following five years he worked at Petrel Hydraulics gaining further comprehensive experience in Marine and Industrial Hydraulics.

A better job opportunity took him to C.D.M. (Pty) LTD at Oranjemund for five years where he specialized in Mining and Earth Moving equipment. On returning from CDM he worked for five years as a sub-contractor for Hytel. After this, Neale decided to establish his own company. For the past twenty two years he has built and expanded Neale's Hydraulics and Pneumatics, a wholly owned Black company, into one of the most successful and reputable hydraulics companies in the Western Cape. Currently the company has a client base of more than 300 which include the whole SADEC region. Three years ago he established International Hydraulic Importers. The main focus being to import and supply high quality hydraulic parts to the hydraulic market. Thus far it has been one of his greatest investments.

VALUES: Our internal and external relationships will be based on trust, honesty, integrity, respect and a commitment to success not as a slogan, but through our demonstrated individual and collective success track record in related or other fields. We are committed to continue to make a meaningful contribution to building the economy of our region, our country and our continent.

OUR VISION: INTERNATIONAL HYDRAULIC IMPORTERS will be a recognized leader and profitable company in the hydraulics industry in the Western Cape, expanding to the rest of South Africa and Africa.

COMMENT: This vision we will achieve through dedication and hard work and forming strategic and functional partnerships with other industry players on a mutually beneficial basis.

MISSION: Our mission is to exceed the expectations of our business partners and customers by ensuring the most effective operation of their business through the service we provide – our efficient service thereby contributing to maximize their profitability.

NEALE'S HYDRAULICS & PNEUMATICS is a sister company of International Hydraulic Importers. They focus mainly on repairs, service and maintenance of hydraulic and pneumatics.

NEALE'S HYDRAULICS HELDERBERG is a sister company of International Hydraulic Importers. Neale's Hydraulics Helderberg is also a satellite branch of Neale's Hydraulics situated in Strand/Somerset West and caters for the surrounding Overberg Area.

SAXENBURG BEARINGS AND SEALS is another sister company of International Hydraulic Importers focusing on the supply of Bearings and Seals to the greater Cape Town market.

COMPANY PROFILE

SOCIAL RESPONSIBILITY

Our company feels strongly about social upliftment and makes regular contributions towards projects/ institutions financially or otherwise. Red Cross Hospital, Biblia, Helderberg Youth Academy and Melton Rose Primary are but a few of the beneficiaries. Our interest lies even more so with youth development and we have students from the University of Cape Town and Cape University of Technology who do their practical training with us

COMPANY PROFILE



NH GROUP
A F R I C A
EST. IN 1990

INDEX

⇒ <u>Hydraulic Hoses</u>	<u>Pg.9 - Pg.15</u>
⇒ <u>Industrial Hose</u>	<u>Pg16-Pg17</u>
⇒ <u>Spiral Guard</u>	<u>Pg.18</u>
⇒ <u>Ferrules</u>	<u>Pg.19 - Pg.20</u>
⇒ <u>Bsp & Npt Hose Ends</u>	<u>Pg.21 - Pg.23</u>
⇒ <u>Jic Hose Fittings</u>	<u>Pg.24 - Pg.26</u>
⇒ <u>Blank Tails</u>	<u>Pg.27</u>
⇒ <u>Orfs Hose Ends</u>	<u>Pg.28 - Pg.29</u>
⇒ <u>Standpipe Fittings</u>	<u>Pg.30 - Pg.31</u>
⇒ <u>Metric Hose Fittings</u>	<u>Pg.32 - Pg.35</u>
⇒ <u>Solid One Piece Flanges 3000, 6000, 9000 Series</u>	<u>Pg.36 - Pg.40</u>
⇒ <u>Split Flanges</u>	<u>Pg.41</u>
⇒ <u>Komatsu, Karcher, Japanese Fittings & Hose Joiners</u>	<u>Pg.42</u>
⇒ <u>Brass Pushlock Fittings</u>	<u>Pg.43</u>
⇒ <u>Quick Couplers</u>	<u>Pg.44 - Pg.46</u>
⇒ <u>Ball Valves</u>	<u>Pg.47</u>
⇒ <u>Bsp/Bspt Male Adaptors</u>	<u>Pg.48 - Pg.49</u>
⇒ <u>Bsp/Jic Male Adaptors</u>	<u>Pg.50 - Pg.51</u>
⇒ <u>Dowty Washers</u>	<u>Pg.52</u>
⇒ <u>Male Npt x Female Npt Swivel</u>	<u>Pg.53 - Pg.54</u>
⇒ <u>Npt Adaptors</u>	<u>Pg.55</u>
⇒ <u>Sockets</u>	<u>Pg.56 - Pg.57</u>
⇒ <u>Npt Female Fixed Adaptors</u>	<u>Pg.58</u>

INDEX

⇒ <u>Jic Male x Npt Male</u>	<u>Pg.59 - Pg.61</u>
⇒ <u>Jic Male x Npt Female Fixed & Jic/Npt Branch Tee</u>	<u>Pg.62</u>
⇒ <u>Jic Adaptors</u>	<u>Pg.63</u>
⇒ <u>Jic x Sae O' Ring Adaptors</u>	<u>Pg.64 - Pg.65</u>
⇒ <u>Jic Male x Jic Female Adaptors</u>	<u>Pg.66</u>
⇒ <u>Jic Female x Npt Male Adaptors</u>	<u>Pg.67</u>
⇒ <u>Jic Bulkheads</u>	<u>Pg.68</u>
⇒ <u>Jic Tee Pieces</u>	<u>Pg.69</u>
⇒ <u>Jic Tube Nuts, Ferrules, Cap</u>	<u>Pg.70</u>
⇒ <u>Sae, Npt, Bsp Plug</u>	<u>Pg.71</u>
⇒ <u>Orfs Fittings</u>	<u>Pg.72 - Pg.74</u>
⇒ <u>Pipe Clamps</u>	<u>Pg.75 - Pg.76</u>
⇒ <u>Jubilee Clamps</u>	<u>Pg.77</u>
⇒ <u>Bolted Hose Clamps</u>	<u>Pg.78</u>
⇒ <u>Steel Fittings</u>	<u>Pg.79 - Pg.98</u>
⇒ <u>Hydraulic Directional Valves</u>	<u>Pg.99 - Pg.108</u>
⇒ <u>Hydraulic Motors</u>	<u>Pg.109 - Pg.112</u>
⇒ <u>Hydraulic Steering Control Units</u>	<u>Pg.113 - Pg.118</u>
⇒ <u>Pneumatics</u>	<u>Pg.119 - Pg.155</u>

HYDRAULIC HOSE

Intraflex Rubber Hose

SAE 100R1AT / DIN EN 1SN



Application: Medium pressure hydraulic applications including mobile, machine tool and agricultural applications, using petroleum or water based hydraulic fluids.

Inner Tube: Nitrile

Reinforcement: One braid of high-tensile steel wire

Cover Compound: Neoprene

Temperature Range: -40°C ~ +100°C

Specification:

Part No.	Hose Side ID		Hose Side OD		Working Pressure		Bend Radius		Burst Pressure		Weight (kg/mtr)
	Inch	mm	Inch	mm	psi	Mpa	Inch	mm	psi	Mpa	
I103	3/16	4.8	0.47	11.9	3630	25	3.5	89	14520	100.1	0.16
I104	1/4	6.4	0.534	13.6	3270	22.5	4	102	13080	90.2	0.23
I105	5/16	7.9	0.595	15.1	3120	21.5	4.5	114	12480	86	0.26
I106	3/8	9.5	0.689	17.5	2615	18	5	127	10460	72.1	0.33
I108	1/2	12.7	0.813	20.7	2320	16	7	178	9280	64	0.43
I110	5/8	15.9	0.938	23.8	1890	13	8	203	7560	52.1	0.49
I112	3/4	19	1.096	27.8	1530	10.5	9.5	241	6120	42.2	0.62
I116	1	25.4	1.408	35.8	1280	8.8	12	305	5120	35.3	0.92
I120	1 1/4	31.8	1.696	43.1	920	6.3	16.5	419	3680	25.4	1.25
I124	1 1/2	38.1	1.971	50.1	730	5	20	508	2920	20.1	1.61
I132	2	50.8	2.503	63.6	580	4	25	635	2320	16	2.00

HYDRAULIC HOSE

Intraflex Rubber Hose

SAE 100R2AT / DIN EN 2SN



Application: High pressure hydraulic oil lines used in construction, machine tool and agricultural applications using petroleum or water based hydraulic fluids.

Inner Tube: Nitrile

Reinforcement: Two braids of high-tensile steel wire

Cover Compound: Neoprene

Temperature Range: -40°C ~ +100°C

Specification:

Part No.	Hose Side ID		Hose Side OD		Working Pressure		Bend Radius		Burst Pressure		Weight (kg/mtr)
	Inch	mm	Inch	mm	psi	Mpa	Inch	mm	psi	Mpa	
I203	3/16	4.8	0.484	12.3	6000	41.4	3.5	89	24000	165.5	0.30
I204	1/4	6.4	0.593	15.1	5800	40	4	102	23200	160	0.36
I205	5/16	7.9	0.649	16.5	5075	35	4.5	114	20300	140	0.43
I206	3/8	9.5	0.753	19.1	4800	33.1	5	127	19200	132.4	0.49
I208	1/2	12.7	0.875	22.2	4000	27.6	7	178	16000	110.3	0.66
I210	5/8	15.9	1	25.4	3630	25	8	203	14520	100.1	0.75
I212	3/4	19	1.157	29.4	3120	21.5	9.5	241	12480	86	0.92
I216	1	25.4	1.5	38.1	2400	16.5	12	305	9600	66.2	1.31
I220	1 1/4	31.8	1.877	47.7	1820	12.5	16.5	419	7280	50.2	1.94
I224	1 1/2	38.1	2.129	54.1	1310	9	20	508	5240	36.1	2.40
I232	2	50.8	2.627	66.7	1160	8	25	635	4640	32	2.95

HYDRAULIC HOSE

Intraflex Rubber Hose

DIN EN 856 4SP



Application: Very high pressure, pulsating applications used for petroleum based hydraulic flu-

Inner Tube: Neoprene

Reinforcement: Four alternating layers of spiraled high-tensile steel wire

Cover Compound: Neoprene

Temperature Range: -40°C ~ +100°C

Specification:

Part No.	Hose Side ID		Hose Side OD		Working Pressure		Bend Radius		Burst Pressure		Weight (kg/mtr)
	Inch	mm	Inch	mm	psi	Mpa	Inch	mm	psi	Mpa	
4SPI-04	1/4	6.4	0.705	17.9	6500	45.2	6	152	26200	180.6	0.59
4SPI-06	3/8	9.5	0.843	21.4	6450	44.5	7	178	25800	177.9	0.75
4SPI-08	1/2	12.7	0.969	24.6	6000	41.4	9	229	24000	165.5	0.89
4SPI-10	5/8	15.9	1.11	28.2	5000	34.5	10	254	20000	137.9	1.08
4SPI-12	3/4	19	1.268	32.2	5000	34.5	12	305	20000	137.9	1.44
4SPI-16	1	25.4	1.563	39.7	4000	27.6	13.5	343	16000	110.3	1.97

HYDRAULIC HOSE

Intraflex Rubber Hose

DIN EN 856 4SH



Application: Very high pressure, pulsating applications used for petroleum based hydraulic flu-

Inner Tube: Neoprene

Reinforcement: Four alternating layers of spiraled high-tensile steel wire

Cover Compound: Neoprene

Temperature Range: -40°C ~ +100°C

Specification:

Part No.	Hose Side ID		Hose Side OD		Working Pressure		Bend Radius		Burst Pressure		Weight (kg/mtr)
	Inch	mm	Inch	mm	psi	Mpa	Inch	mm	psi	Mpa	
4SHI-12	3/4	19	1.268	32.2	6000	41.4	11	279	24000	165.5	1.57
4SHI-16	1	25.4	1.524	38.7	5500	37.9	13.5	343	22000	151.7	1.94
4SHI-20	1 1/4	31.8	1.791	45.5	4700	32.4	18.5	470	18800	129.6	2.46
4SHI-24	1 1/2	38.1	2.106	53.5	4200	29	22.5	572	16800	115.8	3.25
4SHI-32	2	50.8	2.681	68.1	3650	25.2	28	711	14600	100.7	4.66

HYDRAULIC HOSE

Intraflex Rubber Hose

SAE 100R13



Application: Very high pressure applications subject to surges or flexing such as construction equipment, mining and the high performance industrial market.

Reinforcement: Six layers of spiral high-tensile steel wire

Temperature Range: -40°C ~ +120°C

Specification:

Part No.	Hose Side ID		Hose Side OD		Working Pressure		Bend Radius		Burst Pressure		Weight (kg/mtr)
	Inch	mm	Inch	mm	psi	Mpa	Inch	mm	psi	Mpa	
GR13-12	3/4	19	1.264	32.1	5000	34.5	9.5	241	20000	137.9	1.54
GR13-16	1	25.4	1.524	38.7	5000	34.5	12	305	20000	137.9	2.00
GR13-20	1 1/4	31.8	1.961	49.8	5000	34.5	16.5	419	20000	137.9	3.58
GR13-24	1 1/2	38.1	2.256	57.3	5000	34.5	20	508	20000	137.9	4.99
GR13-32	2	50.8	2.799	71.1	5000	34.5	25	635	20000	137.9	6.53

HYDRAULIC HOSE

Intraflex Rubber Hose

2SN HIGH TEMPERATURE HOSE



Inner Tube: high temperature hydraulic oil resistant synthetic rubber

Reinforcement: High tensile 2 steel wire braids


Cover Compound: Oil, abrasion and weather resistant synthetic rubber (Blue Cover)


Temperature Range: -50°C to +135°C (+150°C)

Part No.	Hose Side ID		Hose Side OD mm	Working Pressure		Bend Radius mm	Burst Pressure		Weight (kg/mtr)
	Inch	mm		psi	bar		psi	bar	
R204HT	1/4	6.4	15	5800	400	102	23200	1600	0.40
R206HT	3/8	9.5	18.9	4785	330	127	19140	1320	0.57
R208HT	1/2	12.7	22.2	3988	275	178	15950	1100	0.68
R212HT	3/4	19	29.2	3118	215	241	12325	850	0.99
R216HT	1	25.4	37.2	2393	165	305	9425	650	1.38
R220HT	1 1/4	31.8	47.3	1813	125	419	7250	500	2.04
R224HT	1 1/2	38.1	53.7	1305	90	508	5220	360	2.28
R232HT	2	50.8	66.7	1131	78	635	4500	310	3.97


HYDRAULIC HOSE


Sae 100 R1AT - 1 Wire Thin Cover DIN 20022 1SN - EN 853 1SN				
Part No	Size	W.P. (Psi)	Price	Visual
I104	¼"	2750		
I106	⅜"	2250		
I108	½"	2000		
I110	⅝"	1500		
I112	¾"	1250		
I116	1"	1000		
I120	1¼"	625		
I124	1½"	500		
I132	2"	375		

4SP - 4 Spiral Black DIN 20023 4SP - EN 856 4SP				
Part No	Size	W.P. (Psi)	Price	Visual
4SPI-04	¼"	6550		
4SPI-06	⅜"	6450		
4SPI-08	½"	6000		
4SPI-10	⅝"	5000		
4SPI-12	¾"	5000		
4SPI-16	1"	4000		
4SPI-20	1¼"	4000		
4SPI-24	1½"	3750		
4SPI-32	2"	3000		


SAE 100 R2AT - 2 Wire Thin Cover DIN 20022 2SN - EN 853 2SN				
Part No	Size	W.P. (Psi)	Price	Visual
I204	¼"	5800		
I206	⅜"	4800		
I208	½"	4000		
I210	⅝"	3630		
I212	¾"	3120		
I216	1"	2400		
I220	1¼"	1820		
I224	1½"	1310		
I232	2"	1160		

4SH - 4 Spiral Black DIN 20023 4SH - EN 856 4SH				
Part No	Size	W.P. (Psi)	Price	Visual
4SHI-12	¾"	6000		
4SHI-16	1"	5500		
4SHI-20	1¼"	5000		
4SHI-24	1½"	4200		
4SHI-32	2"	3650		

Sae 100 R12 - 4 Wire Spiral Hose Grey Sae J517 - EN 856				
Part No	Size	W.P. (Psi)	Price	Visual
P12-06	⅜"	4000		
P12-08	½"	4000		
P12-10	⅝"	4000		
P12-12	¾"	4000		
P12-16	1"	4000		
P12-20	1¼"	3000		
P12-24	1½"	2500		
P12-32	2"	2500		

SAE 100 R13 - 6 Spiral Hose SAE J517 100 R13 EN 856 R13				
Part No	Size	W.P. (Psi)	Price	Visual
R13I-12	¾"	5000		
R13I-16	1"	5000		
R13I-20	1¼"	5000		
R13I-24	1½"	5000		
R13I-32	2"	5000		


INDUSTIRL HOSES

Stainless Steel Corrugated Metallic Hose Corrugated Tube Complete With Single Braid			
Part No	Size	Price	Visual
SS-04	1/4"		
SS-06	3/8"		
SS-08	1/2"		
SS-12	3/4"		
SS-16	1"		
SS-20	1 1/4"		
SS-24	1 1/2"		
SS-32	2"		
SS-40	2 1/2"		
SS-48	3"		
SS-64	4"		
SS-80	5"		
SS-96	6"		

Wap/Karcher Steam Hose R1				
Part No	Size	Colour	Hose	Price
8815	5/16"	Blue	R105	
8816	3/8"	Blue	R106	
8806	3/8"	Black	R106	
W.P. - 210 BAR				

Wap/Karcher Steam Hose R2				
Part No	Size	Colour	Hose	Price
9905	5/16"	Black	R205A	
9915	5/16"	Blue	R205A	
9906	3/8"	Black	R206A	
9916	3/8"	Blue	R206A	
W.P. - 400 BAR				

Stainless Steel Corrugated Metallic Hose - 304 Single Braiding Only				
Part No	Braid I.D.	Size	Price	Visual
SSBRI-04		1/4"		
SSBRI-06		3/8"		
SSBRI-08	19.5mm	1/2"		
SSBRI-12	28mm	3/4"		
SSBRI-16	34mm	1"		
SSBRI-20	43mm	1 1/4"		
SSBRI-24	51mm	1 1/2"		
SSBRI-32	65mm	2"		
SSBRI-40		2 1/2"		
SSBRI-48		3"		
SSBRI-64		4"		
SSBRI-80		5"		
SSBRI-96		6"		

Teflon Stainless Steel Braid				
Part No	Size	W.P. (Psi)	Price	Visual
TEF-04	1/4" (6mm)	3000		
TEF-06	3/8" (10mm)	2500		
TEF-08	1/2" (12mm)	2000		
TEF-10	5/8" (16mm)	1750		
TEF-12	3/4" (20mm)	1500		
TEF-16	1" (25mm)	1000		

INDUSTRIAL HOSES

Multipurpose Hoses



Part No	Size	Pressure (Psi)	Price
701-04	1/4"	300	
701-05	5/16"	300	
701-06	3/8"	300	
701-08	1/2"	300	
701-10	5/8"	300	
701-12	3/4"	300	
701-14	7/8"	300	
701-16	1"	300	

Suction Hose



Part No	Size	Pressure (Psi)	Price
FOSD-12	3/4"	150	
FOSD-16	1"	150	
FOSD-20	1 1/4"	150	
FOSD-24	1 1/2"	150	
FOSD-32	2"	150	
FOSD-40	2 1/2"	150	
FOSD-48	3"	150	
FOSD-64	4"	150	

SPIRAL GUARD

High Density Polyethylene Hose Guard



Part No	I.D.(mm)	Length Of Coil	Price
SGX12	12	25Mtr	
SGX16	13-16	25Mtr	
SGX20	16-20	25Mtr	
SGX25	20-25	25Mtr	
SGX32	27-32	25Mtr	
SGX40	34-40	25Mtr	
SGX50	43-50	25Mtr	
SGX63	55-63	25Mtr	
SGX75	66-75	20Mtr	
SGX90	80-90	20Mtr	
SGX110	99-110	15Mtr	

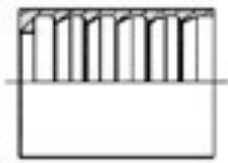
Spiral Guard Fire Retardent & Anti Static



Part No	I.D(mm)	Length Of coil	Price
SGX16FRAS	13-16	25Mtr	
SGX20FRAS	16-20	25Mtr	
SGX25FRAS	21-25	25Mtr	
SGX32FRAS	27-32	25Mtr	
SGX40FRAS	34-40	25Mtr	
SGX50FRAS	44-50	25Mtr	
SGX75FRAS	65-75	20Mtr	
SGX90FRAS	80-90	20Mtr	
SGX110FRAS	99-115	15Mtr	

FERRULES

1 Wire - R1T



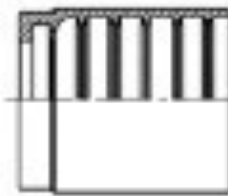
Part No	Size	Price
CTCL1-04	1/4	
CTCL1-05	5/16	
CTCL1-06	3/8	
CTCL1-08	1/2	
CTCL1-10	5/8	
CTCL1-12	3/4	
CTCL1-16	1	
CTCL1-20	1 1/4	
CTCL1-24	1 1/2	
CTCL1-32	2	

2 Wire Non Skive



Part No	Size	Price
XTCL-04	1/4	
XTCL-05	5/16	
XTCL-06	3/8	
XTCL-08	1/2	
XTCL-10	5/8	
XTCL-12	3/4	
XTCL-16	1	
XTCL-20	1 1/4	
XTCL-24	1 1/2	
XTCL-32	2	

2 Wire Skive



Part No	Size	Price
CX04BD	1/4	
CX05BD	5/16	
CX06BD	3/8	
CX08BD	1/2	
CX10BD	5/8	
CX12BD	3/4	
CX16BD	1	
CX20BD	1 1/4	
CX24BD	1 1/2	
CX32BD	2	

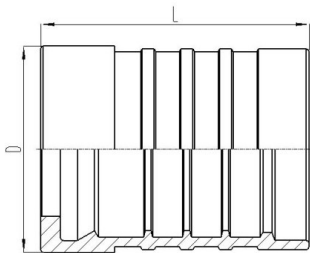
FERRULES

4 Spiral - R12



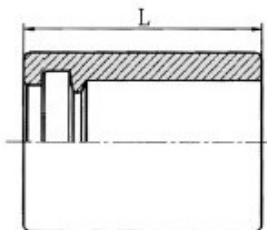
Part No	Size	Price
H04FLW	1/4	
H06FLW	3/8	
H08FLW	1/2	
H10FLW	5/8	
H12FLW	3/4	
H16FLW	1	
H20FLW	1 1/4	
H24FLW	1 1/2	
H32FLW	2	

6 Spiral Interlock R13



Part No	Size	Price
IL6-12FLW	3/4	
IL6-16FLW	1	
IL6-20FLW	1 1/4	
IL6-24FLW	1 1/2	
IL6-32FLW	2	

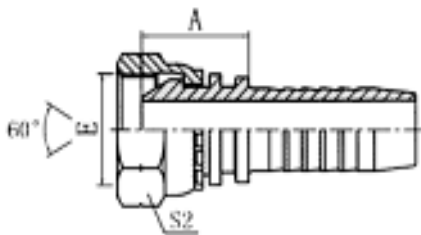
Teflon / Thermo R7 Collars



Part No	Size	Price
3381-03	3/16	
3381-04	1/4	
3381-05	5/16	
3381-06	3/8	
3381-08	1/2	
3381-10	5/8	
3381-12	3/4	
3381-16	1	

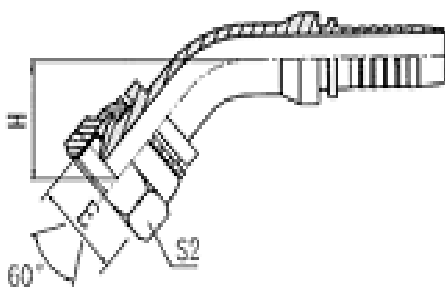
BSP & NPT HOSE ENDS

BSP Hose End - Straight Female



Part No	BSP	Hose	Price
X02BF04	1/8"	1/4"	
X04BF04	1/4"	1/4"	
X04BF06	1/4"	3/8"	
X06BF04	3/8"	1/4"	
X06BF06	3/8"	3/8"	
X06BF08	3/8"	1/2"	
X08BF06	1/2"	3/8"	
X08BF08	1/2"	1/2"	
X08BF10	1/2"	5/8"	
X08BF12	1/2"	3/4"	
X10BF08	5/8"	1/2"	
X10BF10	5/8"	5/8"	
X12BF08	3/4"	1/2"	
X12BF10	3/4"	5/8"	
X12BF12	3/4"	3/4"	
X12BF16	3/4"	1"	
X16BF12	1"	3/4"	
X16BF16	1"	1"	
X20BF20	1 1/4"	1 1/4"	
X24BF24	1 1/2"	1 1/2"	
X32BF32	2"	2"	

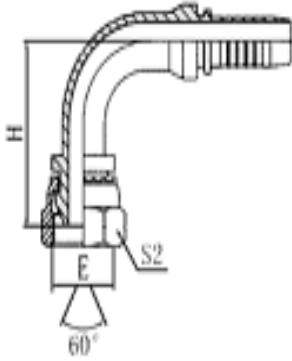
BSP Hose Ends- 45°



Part No	BSP	Hose	Price
X04B45S04	1/4"	1/4"	
X06B45S06	3/8"	3/8"	
X08B45S08	1/2"	1/2"	
X10B45S08	5/8"	1/2"	
X10B45S10	5/8"	5/8"	
X12B45S10	3/4"	5/8"	
X12B45S12	3/4"	3/4"	
X16B45S16	1"	1"	
X20B45S20	1 1/4"	1 1/4"	
X24B45S24	1 1/2"	1 1/2"	
X32B45S32	2"	2"	

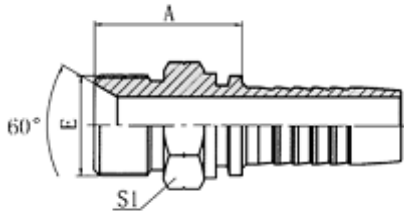
BSP & NPT HOSE ENDS

BSP Hose Ends - 90°



Part No	BSP	Hose	Price
X04B90S04	1/4"	1/4"	
X06B90S06	3/8"	3/8"	
X08B90S06	1/2"	3/8"	
X08B90S08	1/2"	1/2"	
X10B90S08	5/8"	1/2"	
X10B90S10	5/8"	5/8"	
X12B90S12	3/4"	3/4"	
X16B90S16	1"	1"	
X20B90S20	1 1/4"	1 1/4"	
X24B90S24	1 1/2"	1 1/2"	
X32B90S32	2"	2"	

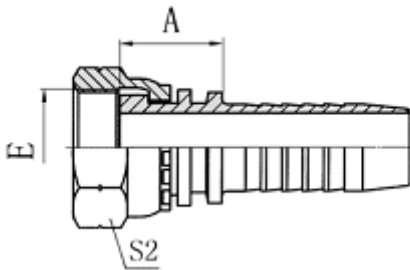
BSP Hose Ends - Male



Part No	BSP	Hose	Price
X02BM04	1/8"	1/4"	
X02BMT04	1/8"	1/4"	
X04BM04	1/4"	1/4"	
X06BM04	3/8"	1/4"	
X06BM06	3/8"	3/8"	
X08BM06	1/2"	3/8"	
X08BM08	1/2"	1/2"	
X10BM08	5/8"	1/2"	
X10BM10	5/8"	5/8"	
X12BM12	3/4"	3/4"	
X16BM16	1"	1"	
X20BM20	1 1/4"	1 1/4"	
X24BM24	1 1/2"	1 1/2"	
X32BM32	2"	2"	

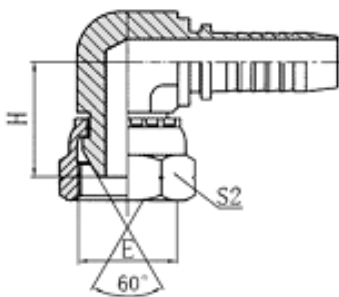
BSP & NPT HOSE ENDS

BSP Flat-Faced Fittings



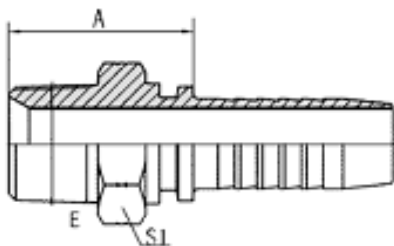
Part No	BSP	Hose	Price
X06FF06	3/8"	3/8"	
X08FF06	1/2"	3/8"	
X08FF08	1/2"	1/2"	
X12FF08	3/4"	1/2"	
X12FF10	3/4"	5/8"	
X12FF12	3/4"	3/4"	
X16FF16	1"	1"	

BSP Compact Elbow



Part No	BSP	Hose	Price
X06B9006K	3/8"	3/8"	
X08B9008K	1/2"	1/2"	

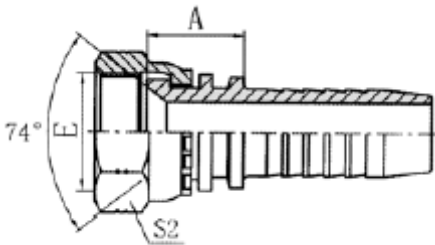
Npt Male



Part No	Npt	Hose	Price
X02NM04	1/8"	1/4"	
X02NM03	1/8"	3/16"	
X04NM04	1/4"	1/4"	
X04NM06	1/4"	3/8"	
X06NM04	3/8"	1/4"	
X06NM06	3/8"	3/8"	
X06NM08	3/8"	1/2"	
X08NM06	1/2"	3/8"	
X08NM08	1/2"	1/2"	
X08NM12	1/2"	3/4"	
X12NM08	3/4"	1/2"	
X12NM10	3/4"	5/8"	
X12NM12	3/4"	3/4"	
X12NM16	3/4"	1"	
X16NM12	1"	3/4"	
X16NM16	1"	1"	
X20NM20	1 1/4"	1 1/4"	
X24NM24	1 1/2"	1 1/2"	
X32NM32	2"	2"	

JIC HOSE ENDS

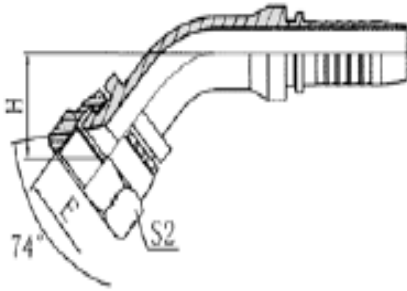
JIC Female Straight



Part No	Jic	Hose	Price
X07JF04	7/16"	1/4"	
X08JF04	1/2"	1/4"	
X09JF04	9/16"	1/4"	
X09JF05	9/16"	5/16"	
X09JF06	9/16"	3/8"	
X10JF04	5/8" SAE	1/4"	
X10JF06	5/8" SAE	3/8"	
X12JF06	3/4"	3/8"	
X12JF08	3/4"	1/2"	
X14JF08	7/8"	1/2"	
X14JF10	7/8"	5/8"	
X14JF12	7/8"	3/4"	
X17JF08	1 1/16"	1/2"	
X17JF10	1 1/16"	5/8"	
X17JF12	1 1/16"	3/4"	
X17JF16	1 1/16"	1"	
X19JF12	1 3/16"	3/4"	
X21JF12	1 5/16"	3/4"	
X21JF16	1 5/16"	1"	
X26JF16	1 5/8"	1"	
X26JF20	1 5/8"	1 1/4"	
X30JF24	1 7/8"	1 1/2"	
X40JF32	2 1/2"	2"	

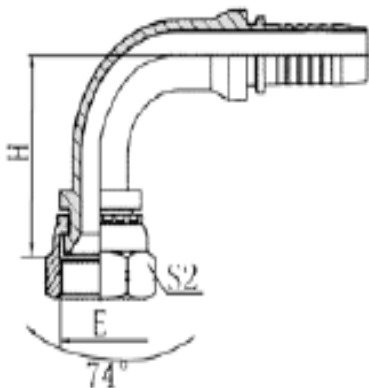
JIC HOSE ENDS

JIC Female 45°



Part No	Jic	Hose	Price
X07J45S04	7/16"	1/4"	
X08J45S04	1/2"	1/4"	
X09J45S04	9/16"	1/4"	
X09J45S06	9/16"	3/8"	
X10J45S06	5/8" SAE	3/8"	
X12J45S06	3/4"	3/8"	
X12J45S08	3/4"	1/2"	
X14J45S08	7/8"	1/2"	
X14J45S10	7/8"	5/8"	
X17J45S08	1 1/16"	1/2"	
X17J45S10	1 1/16"	5/8"	
X17J45S12	1 1/16"	3/4"	
X19J45S12	1 3/16"	3/4"	
X21J45S12	1 5/16"	3/4"	
X21J45S16	1 5/16"	1"	
X26J45S20	1 5/8"	1 1/4"	
X30J45S24	1 7/8"	1 1/2"	
X40J45S32	2 1/2"	2"	

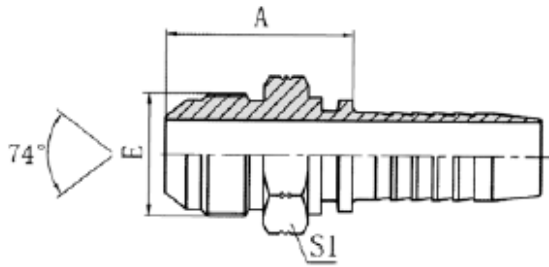
JIC Female 90°



Part No	Jic	Hose	Price
X07J90S04	7/16"	1/4"	
X08J90S04	1/2"	1/4"	
X09J90S04	9/16"	1/4"	
X09J90S06	9/16"	3/8"	
X10J90S06	5/8" SAE	3/8"	
X12J90S06	3/4"	3/8"	
X12J90S08	3/4"	1/2"	
X14J90S08	7/8"	1/2"	
X14J90S10	7/8"	5/8"	
X17J90S08	1 1/16"	1/2"	
X17J90S10	1 1/16"	5/8"	
X17J90S12	1 1/16"	3/4"	
X19J90S12	1 3/16"	3/4"	
X21J90S12	1 5/16"	3/4"	
X21J90S16	1 5/16"	1"	
X26J90S20	1 5/8"	1 1/4"	
X26J90S20	1 5/8"	1 1/4"	
X30J90S24	1 7/8"	1 1/2"	
X40J90S32	2 1/2"	2"	

JIC HOSE ENDS

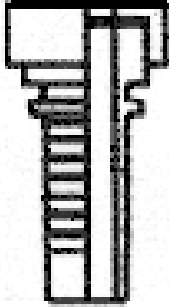
Jic Male Straight



Part No	Jic	Hose	Price
X07JM04	7/16"	1/4"	
X08JM04	1/2"	1/4"	
X09JM04	9/16"	1/4"	
X09JM05	9/16"	5/16"	
X09JM06	9/16"	3/8"	
X10JM06	5/8" SAE	3/8"	
X12JM06	3/4"	3/8"	
X12JM08	3/4"	1/2"	
X14JM08	7/8"	1/2"	
X14JM10	7/8"	5/8"	
X17JM08	1 1/16"	1/2"	
X17JM10	1 1/16"	5/8"	
X17JM12	1 1/16"	3/4"	
X19JM12	1 3/16"	3/4"	
X21JM12	1 5/16"	3/4"	
X21JM16	1 5/16"	1"	
X26JM20	1 5/8"	1 1/4"	
X30JM24	1 7/8"	1 1/2"	
X40JM32	2 1/2"	2"	

BLANK TAILS

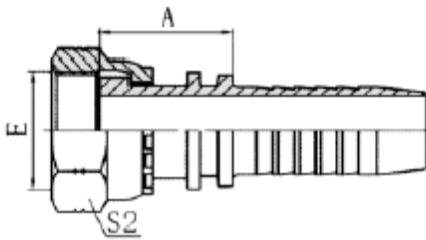
Blank Tails



Part No	Size	Price
X04B/T	1/4"	
X05B/T	5/16"	
X06B/T	3/8"	
X08B/T	1/2"	
X10B/T	5/8"	
X12B/T	3/4"	
X16B/T	1"	
X20B/T	1 1/4"	
X24B/T	1 1/2"	
X32B/T	2"	

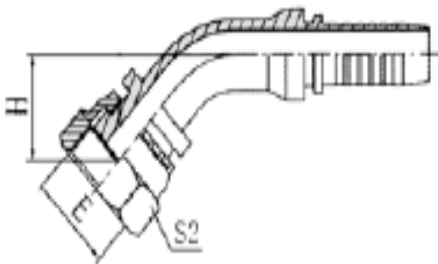
ORFS HOSE ENDS

ORFS Hose Fittings - Straight



Part No	Thread	Hose	Price
X04LORF04	9/16" -18	1/4"	
X06LORF04	11/16"-16	1/4"	
X06LORF06	11/16" -16	3/8"	
X08LORF06	13/16" -16	3/8"	
X08LORF08	13/16" -16	1/2"	
X10LORF08	1" -14	1/2"	
X10LORF10	1" -14	5/8"	
X12LORF10	1 3/16" -12	5/8"	
X12LORF12	1 3/16" -12	3/4"	
X16LORF12	1 7/16"-12	3/4"	
X16LORF16	1 7/16" -12	1"	
X20LORF20	1 11/16" -12	1'1/4"	
X24LORF24	2 11/16" -12	1'1/4"	

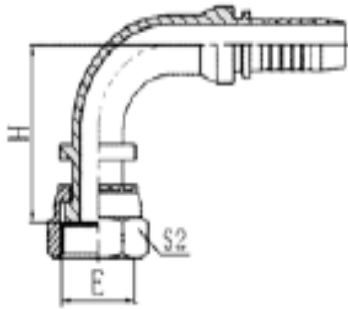
ORFS Hose Fittings - 45°



Part No	Thread	Hose	Price
X04LORF45S04	9/16" -18	1/4"	
X06LORF45S04	11/16"-16	1/4"	
X06LORF45S06	11/16" -16	3/8"	
X08LORF45S08	13/16" -16	1/2"	
X10LORF45S10	1" -14	5/8"	
X12LORF45S12	1 3/16" -12	3/4"	
X16LORF45S16	1 7/16" -12	1"	
X20LORF45S20	1 11/16" -12	1'1/4"	
X24LORF45S24	2 11/16" -12	1'1/4"	

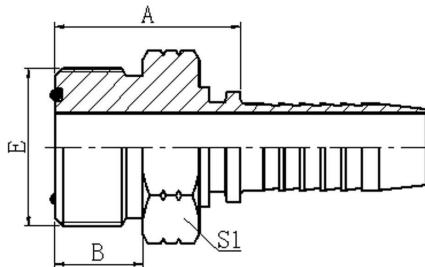
ORFS HOSE ENDS

ORFS Hose Fittings - 90°



Part No	Thread	Hose	Price
X04LORF90S04	9/16" -18	1/4"	
X06LORF90S04	11/16"-16	1/4"	
X06LORF90S06	11/16" -16	3/8"	
X08LORF90S06	13/16" -16	3/8"	
X08LORF90S08	13/16" -16	1/2"	
X10LORF90S10	1" -14	5/8"	
X12LORF90S08	1 3/16" -12	1/2"	
X12LORF90S12	1 3/16" -12	3/4"	
X16LORF90S16	1 7/16" -12	1"	
X20LORF90S20	1 11/16" -12	1 1/4"	
X24LORF90S24	2 11/16" -12	1 1/4"	

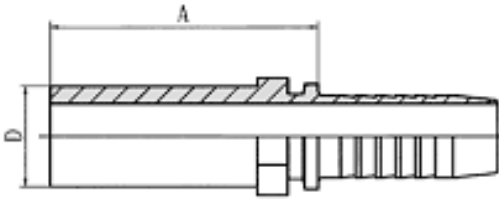
ORFS Hose Fittings - Male



Part No	Thread	Hose	Price
X04LORM04	9/16"-18	1/4"	
X06LORM04	11/16"-18	1/4"	
X06LORM06	11/16"-16	3/8"	
X08LORM06	13/16" -16	3/8"	
X08LORM08	13/16" -16	1/2"	
X10LORM08	1" -14	1/2"	
X10LORM10	1" -14	5/8"	
X12LORM10	1 3/16" -12	5/8"	
X12LORM12	1 3/16" -12	3/4"	
X16LORM12	1 7/16" -12	3/4"	
X16LORM16	1 7/16" -12	1"	

STAND PIPE FITTINGS

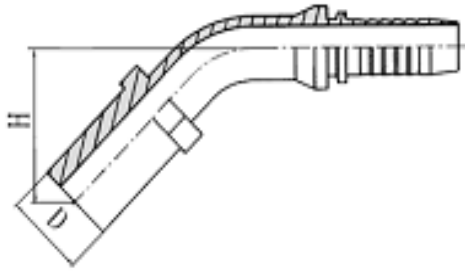
Stand Pipes - Straight



Part No	Tube OD	Hose	Price
X06MOSE04	6mm	1/4"	
X08MOSE04	8mm	1/4"	
X08MOSE06	8mm	3/8"	
X10MOSE04	10mm	1/4"	
X10MOSE06	10mm	3/8"	
X12MOSE04	12mm	1/4"	
X12MOSE06	12mm	3/8"	
X12MOSE08	12mm	1/2"	
X14MOSE06	14mm	3/8"	
X14MOSE08	14mm	1/2"	
X15MOSE06	15mm	3/8"	
X15MOSE08	15mm	1/2"	
X16MOSE08	16mm	1/2"	
X18MOSE08	18mm	1/2"	
X18MOSE10	18mm	5/8"	
X18MOSE12	18mm	3/4"	
X20MOSE10	20mm	5/8"	
X20MOSE12	20mm	3/4"	
X22MOSE12	22mm	3/4"	
X22MOSE16	22mm	1"	
X25MOSE12	25mm	3/4"	
X25MOSE16	25mm	1"	
X28MOSE16	28mm	1"	
X30MOSE16	30mm	1"	
X30MOSE20	30mm	1 1/4"	

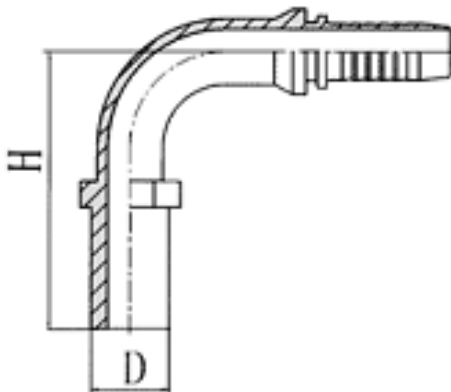
STAND PIPE FITTINGS

Stand Pipes - 45°



Part No	Tube OD	Hose	Price
X06MOSE45S04	6mm	1/4"	
X08MOSE45S04	8mm	1/4"	
X10MOSE45S04	10mm	1/4"	
X10MOSE45S06	10mm	3/8"	
X12MOSE45S04	12mm	1/4"	
X12MOSE45S06	12mm	3/8"	
X15MOSE45S06	15mm	3/8"	
X15MOSE45S08	15mm	1/2"	
X16MOSE45S08	16mm	1/2"	
X18MOSE45S10	18mm	5/8"	
X20MOSE45S10	20mm	5/8"	
X22MOSE45S12	22mm	3/4"	
X25MOSE45S12	25mm	3/4"	
X25MOSE45S16	25mm	1"	

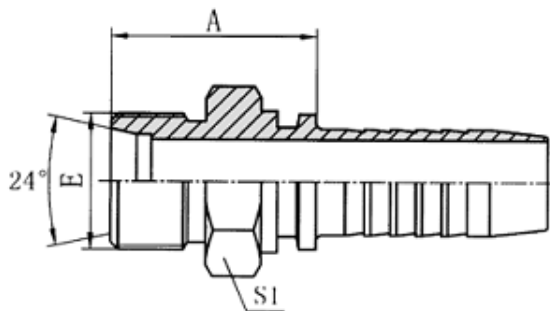
Stand Pipes - 90°



Part No	Tube OD	Hose	Price
X06MOSE90S04	6mm	1/4"	
X08MOSE90S04	8mm	1/4"	
X10MOSE90S04	10mm	1/4"	
X10MOSE90S06	10mm	3/8"	
X12MOSE90S04	12mm	1/4"	
X12MOSE90S06	12mm	3/8"	
X14MOSE90S06	14mm	3/8"	
X15MOSE90S08	15mm	1/2"	
X16MOSE90S08	16mm	1/2"	
X18MOSE90S08	18mm	1/2"	
X18MOSE90S10	18mm	5/8"	
X20MOSE90S10	20mm	5/8"	
X20MOSE90S12	20mm	3/4"	
X22MOSE90S12	22mm	3/4"	
X25MOSE90S12	25mm	3/4"	
X25MOSE90S16	25mm	1"	

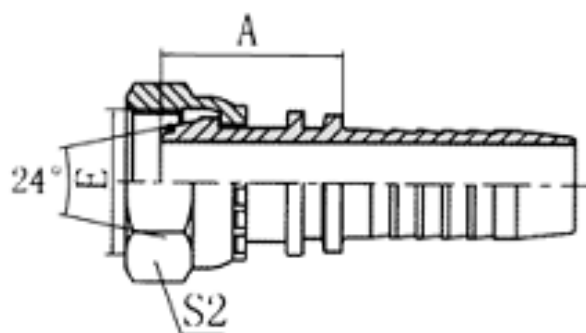
METRIC HOSE FITTINGS

**Metric Swage Fittings - Light Series
- Str Male**



Part No	Thread	Pipe mm	Hose	Price
X12ME06-04	12 x 1.5	6L	1/4	
X14ME06-04	14 x 1.5	6L	1/4	
X14ME08-04	14 x 1.5	8L	1/4	
X16ME10-04	16 x 1.5	10L	1/4	
X16ME10-05	16 x 1.5	10L	5/16	
X16ME10-06	16 x 1.5	10L	3/8	
X18ME12-05	18 x 1.5	12L	5/16	
X18ME12-06	18 x 1.5	12L	3/8	
X22ME15-06	22 x 1.5	15L	3/8	
X22ME15-08	22 x 1.5	15L	1/2	
X26ME18-08	26 x 1.5	18L	1/2	
X26ME18-10	26 x 1.5	18L	5/8	
X30ME22-12	30 x 2	22L	3/4	
X36ME28-16	36 x 2	28L	1	
X45ME35-20	45 x 2	35L	1 1/4	
X52ME42-24	52 x 2	42L	1 1/2	

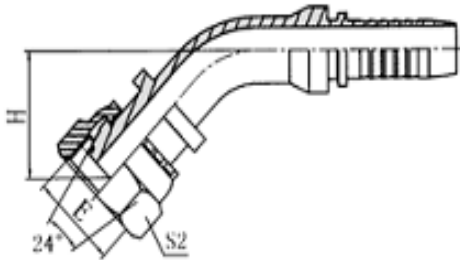
**Metric Swage Fittings - Light Series
- Str Female**



Part No	Thread	Pipe mm	Hose	Price
X12MSF06-04	12 x 1.5	6L	1/4	
X14MSF06-04	14 x 1.5	6L	1/4	
X14MSF08-04	14 x 1.5	8L	1/4	
X16MSF10-04	16 x 1.5	10L	1/4	
X16MSF10-05	16 x 1.5	10L	5/16	
X16MSF10-06	16 x 1.5	10L	3/8	
X18MSF12-05	18 x 1.5	12L	5/16	
X18MSF12-06	18 x 1.5	12L	3/8	
X22MSF15-06	22 x 1.5	15L	3/8	
X22MSF15-08	22 x 1.5	15L	1/2	
X26MSF18-08	26 x 1.5	18L	1/2	
X26MSF18-10	26 x 1.5	18L	5/8	
X30MSF22-12	30 x 2	22L	3/4	
X36MSF28-16	36 x 2	28L	1	
X45MSF35-20	45 x 2	35L	1 1/4	
X52MSF42-24	52 x 2	42L	1 1/2	

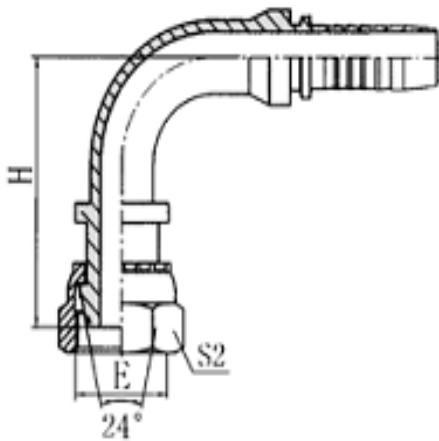
METRIC HOSE FITTINGS

**Metric Swage Fittings - Light Series
- 45°**



Part No	Thread	Pipe mm	Hose	Price
X12MSF45S-0604	12 x 1.5	6L	1/4	
X14MSF45S-0804	14 x 1.5	8L	1/4	
X16MSF45S-1004	16 x 1.5	10L	1/4	
X16MSF45S-1006	16 x 1.5	10L	3/8	
X18MSF45S-1206	18 x 1.5	12L	3/8	
X22MSF45S-1508	22 x 1.5	15L	1/2	
X26MSF45S-1808	26 x 1.5	18L	1/2	
X26MSF45S-1810	26 x 1.5	18L	5/8	
X30MSF45S-2212	30 x 2	22L	3/4	
X36MSF45S-2816	36 x 2	28L	1	
X45MSF45S-3520	45 x 2	35L	1 1/4	
X52MSF45S-4224	52 x 2	42L	1 1/2	

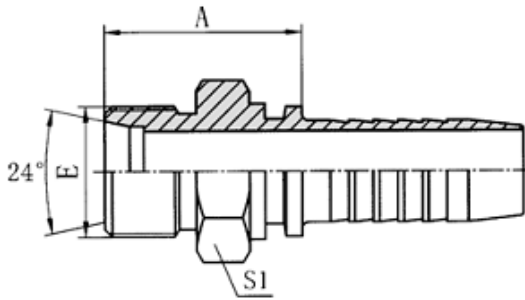
**Metric Swage Fittings - Light Series
- 90°**



Part No	Thread	Pipe mm	Hose	Price
X12MSF90S-0604	12 x 1.5	6L	1/4	
X14MSF90S-0804	14 x 1.5	8L	1/4	
X16MSF90S-1004	16 x 1.5	10L	1/4	
X16MSF90S-1005	16 x 1.5	10L	5/16	
X16MSF90S-1006	16 x 1.5	10L	3/8	
X18MSF90S-1206	18 x 1.5	12L	3/8	
X22MSF90S-1508	22 x 1.5	15L	1/2	
X26MSF90S-1808	26 x 1.5	18L	1/2	
X26MSF90S-1810	26 x 1.5	18L	5/8	
X30MSF90S-2212	30 x 2	22L	3/4	
X36MSF90S-2816	36 x 2	28L	1	
X45MSF90S-3520	45 x 2	35L	1 1/4	
X52MSF90S-4224	52 x 2	42L	1 1/2	

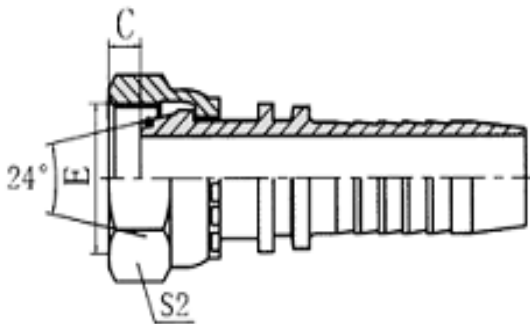
METRIC HOSE FITTINGS

**Metric Swage Fittings - Heavy Series
- Str Male**



Part No	Thread	Pipe mm	Hose	Price
X16ME08-04	16 x 1.5	8S	1/4	
X18ME10-04	18 x 1.5	10S	1/4	
X20ME12-06	20 x 1.5	12S	3/8	
X22ME14-06	22 x 1.5	14S	3/8	
X24ME16-08	24 x 1.5	16S	1/2	
X30ME20-10	30 x 2	20S	5/8	
X30ME20-12	30 x 2	20S	3/4	
X36ME25-12	36 x 2	25S	3/4	
X36ME25-16	36 x 2	25S	1	
X42ME30-16	42 x 2	30S	1	
X52ME38-20	52 x 2	38S	1 1/4	

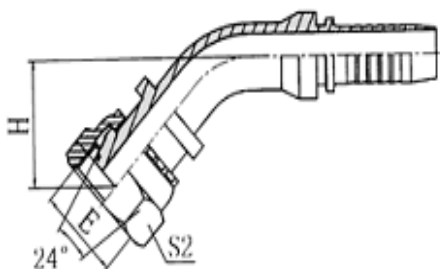
**Metric Swage Fittings - Heavy Series
- Str Female**



Part No	Thread	Pipe mm	Hose	Price
X16MSF08-04	16 x 1.5	8S	1/4	
X18MSF10-04	18 x 1.5	10S	1/4	
X20MSF12-06	20 x 1.5	12S	3/8	
X22MSF14-06	22 x 1.5	14S	3/8	
X24MSF16-08	24 x 1.5	16S	1/2	
X30MSF20-10	30 x 2.0	20S	5/8	
X30MSF20-12	30 x 2.0	20S	3/4	
X36MSF25-12	36 x 2.0	25S	3/4	
X36MSF25-16	36 x 2.0	25S	1	
X42MSF30-16	42 x 2.0	30S	1	
X52MSF38-20	52 x 2.0	38S	1 1/4	

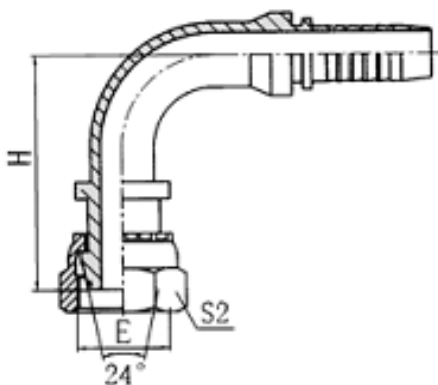
METRIC HOSE FITTINGS

**Metric Swage Fittings - Heavy Series
- 45°**



Part No	Thread	Pipe mm	Hose	Price
X16MSF45S-0804	16 x 1.5	8S	1/4	
X18MSF45S-1004	18 x 1.5	10S	1/4	
X20MSF45S-1206	20 x 1.5	12S	3/8	
X22MSF45S-1406	22 x 1.5	14S	3/8	
X24MSF45S-1608	24 x 1.5	16S	1/2	
X30MSF45S-2010	30 x 2.0	20S	5/8	
X30MSF45S-2012	30 x 2.0	20S	3/4	
X36MSF45S-2512	36 x 2.0	25S	3/4	
X36MSF45S-2516	36 x 2.0	25S	1	
X42MSF45S-3016	42 x 2.0	30S	1	
X52MSF45S-3820	52 x 2.0	38S	1 1/4	

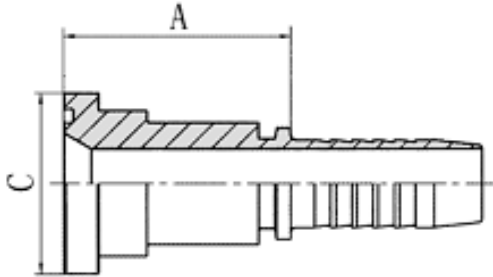
**Metric Swage Fittings - Heavy Series
- 90°**



Part No	Thread	Pipe mm	Hose	Price
X16MSF90S-0804	16 x 1.5	8S	1/4	
X18MSF90S-1004	18 x 1.5	10S	1/4	
X20MSF90S-1206	20 x 1.5	12S	3/8	
X22MSF90S-1406	22 x 1.5	14S	3/8	
X24MSF90S-1608	24 x 1.5	16S	1/2	
X30MSF90S-2010	30 x 2.0	20S	5/8	
X30MSF90S-2012	30 x 2.0	20S	3/4	
X36MSF90S-2512	36 x 2.0	25S	3/4	
X36MSF90S-2516	36 x 2.0	25S	1	
X42MSF90S-3016	42 x 2.0	30S	1	
X52MSF90S-3820	52 x 2.0	38S	1 1/4	

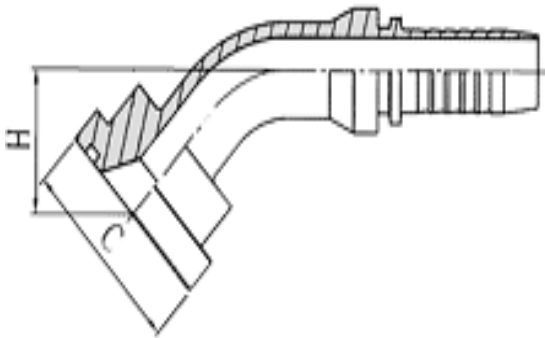
SOLID ONE PIECE FLANGE - 3000

**Solid One Piece Flange - Straight
- 3000 Psi**



Part No	Flange	FI OD	Hose	Price
S08SFH-3-08	1/2"	30.20 mm	1/2"	
S12SFH-3-08	3/4"	38.10 mm	1/2"	
S12SFH-3-12	3/4"	38.10 mm	3/4"	
S12SFH-3-16	3/4"	38.10 mm	1"	
S16SFH-3-12	1"	44.50 mm	3/4"	
S16SFH-3-16	1"	44.50 mm	1"	
S16SFH-3-20	1"	44.50 mm	1 1/4"	
S20SFH-3-16	1 1/4"	50.80 mm	1"	
S20SFH-3-20	1 1/4"	50.80 mm	1 1/4"	
S24SFH-3-20	1 1/2"	60.30 mm	1 1/4"	
S24SFH-3-24	1 1/2"	60.30 mm	1 1/2"	
S32SFH-3-24	2"	71.4 mm	1 1/2"	
S32SFH-3-32	2"	71.4 mm	2"	

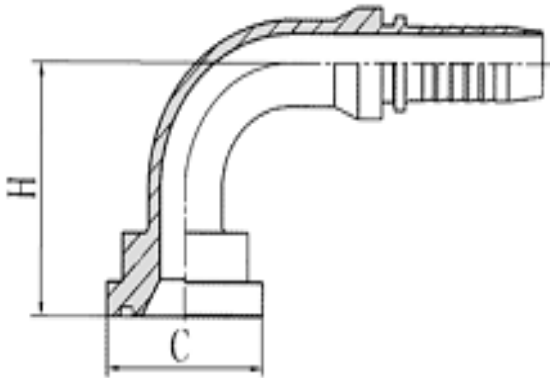
**Solid One Piece Flange - 45°
- 3000 Psi**



Part No	Flange	FI OD	Hose	Price
S08SFH45S-3-08	1/2"	30.20 mm	1/2"	
S08SFH45S-3-12	1/2"	30.20 mm	3/4"	
S12SFH45S-3-08	3/4"	38.10 mm	1/2"	
S12SFH45S-3-12	3/4"	38.10 mm	3/4"	
S12SFH45S-3-16	3/4"	38.10 mm	1"	
S16SFH45S-3-12	1"	44.50 mm	3/4"	
S16SFH45S-3-16	1"	44.50 mm	1"	
S16SFH45S-3-20	1"	44.50 mm	1 1/4"	
S20SFH45S-3-16	1 1/4"	50.80 mm	1"	
S20SFH45S-3-20	1 1/4"	50.80 mm	1 1/4"	
S24SFH45S-3-20	1 1/2"	60.30 mm	1 1/4"	
S24SFH45S-3-24	1 1/2"	60.30 mm	1 1/2"	
S32SFH45S-3-24	2"	71.4 mm	1 1/2"	
S32SFH45S-3-32	2"	71.4 mm	2"	

SOLID ONE PIECE FLANGE - 3000

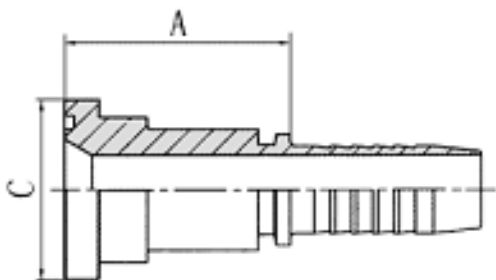
**Solid One Piece Flange - 90°
- 3000 psi**



Part No	Flange	FI OD	Hose	Price
S08SFH90S-3-08	1/2"	30.20 mm	1/2"	
S12SFH90S-3-08	3/4"	38.10 mm	1/2"	
S12SFH90S-3-12	3/4"	38.10 mm	3/4"	
S12SFH90S-3-16	3/4"	38.10 mm	1"	
S16SFH90S-3-12	1"	44.50 mm	3/4"	
S16SFH90S-3-16	1"	44.50 mm	1"	
S16SFH90S-3-20	1"	44.50 mm	1 1/4"	
S20SFH90S-3-16	1 1/4"	50.80 mm	1"	
S20SFH90S-3-20	1 1/4"	50.80 mm	1 1/4"	
S24SFH90S-3-20	1 1/2"	60.30 mm	1 1/4"	
S24SFH90S-3-24	1 1/2"	60.30 mm	1 1/2"	
S32SFH90S-3-24	2"	71.4 mm	1 1/2"	
S32SFH90S-3-32	2"	71.4 mm	2"	

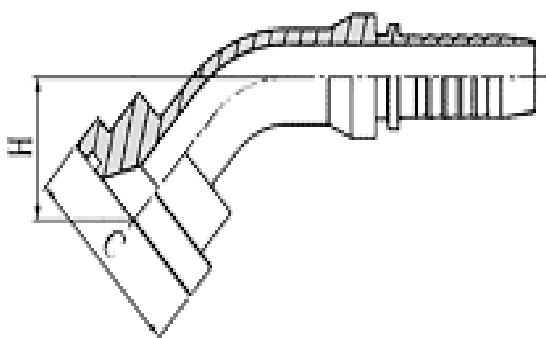
SOLID ONE PIECE FLANGE - 6000

**Solid One Piece Flange - Straight
- 6000 Psi**



Part No	Flange	FI OD	Hose	Price
S12SFH-6-08	3/4"	41.30 mm	1/2"	
S12SFH-6-12	3/4"	41.30 mm	3/4"	
S12SFH-6-16	3/4"	41.30 mm	1"	
S16SFH-6-12	1"	47.60 mm	3/4"	
S16SFH-6-16	1"	47.60 mm	1"	
S16SFH-6-20	1"	47.60 mm	1 1/4"	
S20SFH-6-16	1 1/4"	54.00 mm	1"	
S20SFH-6-20	1 1/4"	54.00 mm	1 1/4"	
S24SFH-6-20	1 1/2"	63.50 mm	1 1/4"	
S24SFH-6-24	1 1/2"	63.50 mm	1 1/2"	
S32SFH-6-24	2"	79.40 mm	1 1/2"	
S32SFH-6-32	2"	79.40 mm	2"	

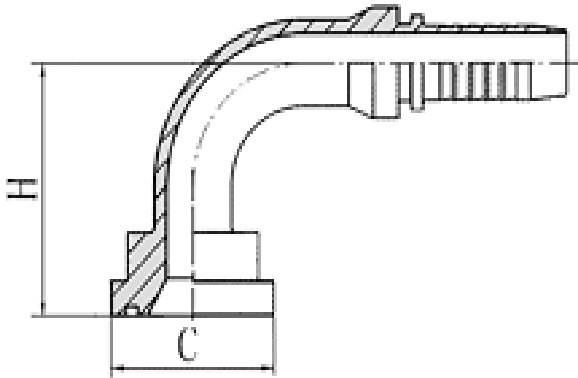
**Solid One Piece Flange - 45°
- 6000 Psi**



Part No	Flange	FI OD	Hose	Price
S12SFH45S-6-08	3/4"	41.30 mm	1/2"	
S12SFH45S-6-12	3/4"	41.30 mm	3/4"	
S12SFH45S-6-16	3/4"	41.30 mm	1"	
S16SFH45S-6-12	1"	47.60 mm	3/4"	
S16SFH45S-6-16	1"	47.60 mm	1"	
S16SFH45S-6-20	1"	47.60 mm	1 1/4"	
S20SFH45S-6-16	1 1/4"	54.00 mm	1"	
S20SFH45S-6-20	1 1/4"	54.00 mm	1 1/4"	
S24SFH45S-6-20	1 1/2"	63.50 mm	1 1/4"	
S24SFH45S-6-24	1 1/2"	63.50 mm	1 1/2"	
S32SFH45S-6-24	2"	79.40 mm	1 1/2"	
S32SFH45S-6-32	2"	79.40 mm	2"	

SOLID ONE PIECE FLANGE - 6000

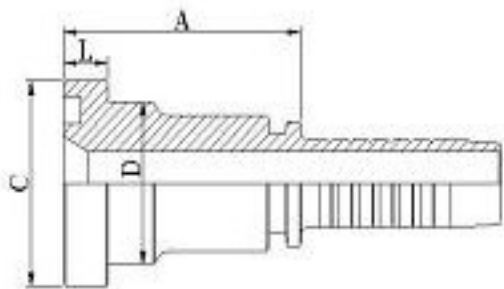
**Solid One Piece Flange - 90°
- 6000 Psi**



Part No	Flange	FI OD	Hose	Price
S12SFH90S-6-08	3/4"	41.30 mm	1/2"	
S12SFH90S-6-12	3/4"	41.30 mm	3/4"	
S12SFH90S-6-16	3/4"	41.30 mm	1"	
S16SFH90S-6-12	1"	47.60 mm	3/4"	
S16SFH90S-6-16	1"	47.60 mm	1"	
S16SFH90S-6-20	1"	47.60 mm	1 1/4"	
S20SFH90S-6-16	1 1/4"	54.00 mm	1"	
S20SFH90S-6-20	1 1/4"	54.00 mm	1 1/4"	
S24SFH90S-6-20	1 1/2"	63.50 mm	1 1/4"	
S24SFH90S-6-24	1 1/2"	63.50 mm	1 1/2"	
S32SFH90S-6-24	2"	79.40 mm	1 1/2"	
S32SFH90S-6-32	2"	79.40 mm	2"	

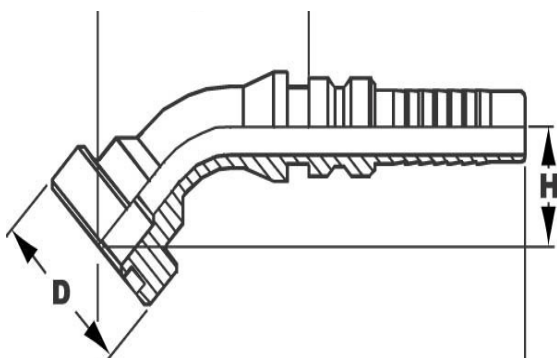
SOLID ONE PIECE FLANGE - 9000

**Solid One Piece Flange - Straight
- 9000 Psi**



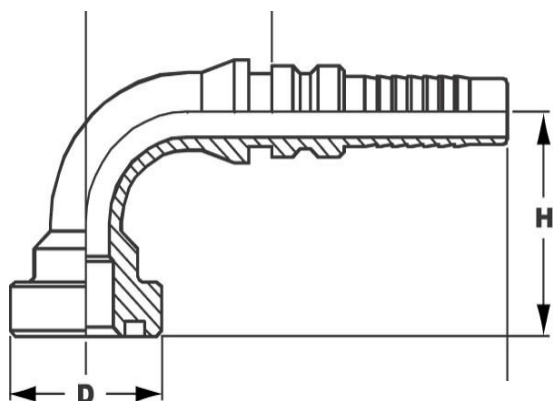
Part No	Flange	FI OD	Hose	Price
S12SFH-9-12	3/4"	38.10 mm	3/4"	
S16SFH-9-12	1"	44.50 mm	3/4"	
S16SFH-9-16	1"	44.50 mm	1"	
S20SFH-9-16	1 1/4"	50.80 mm	1"	
S20SFH-9-20	1 1/4"	50.80 mm	1 1/4"	
S24SFH-9-20	1 1/2"	60.30 mm	1 1/4"	
S24SFH-9-24	1 1/2"	63.50mm	1 1/2"	

**Solid One Piece Flange - 45°
- 9000 Psi**



Part No	Flange	FI OD	Hose	Price
S12SFH45S-9-12	3/4"	38.10 mm	3/4"	
S16SFH45S-9-12	1"	44.50 mm	3/4"	
S16SFH45S-9-16	1"	44.50 mm	1"	
S20SFH45S-9-16	1 1/4"	50.80 mm	1"	
S20SFH45S-9-20	1 1/4"	50.80 mm	1 1/4"	
S24SFH45S-9-20	1 1/2"	60.30 mm	1 1/4"	
S24SFH45S-9-24	1 1/2"	63.50mm	1 1/2"	

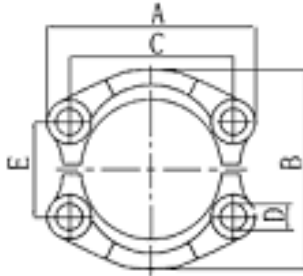
**Solid One Piece Flange - 90°
- 9000 Psi**



Part No	Flange	FI OD	Hose	Price
S12SFH90S-9-12	3/4"	38.10 mm	3/4"	
S16SFH90S-9-12	1"	44.50 mm	3/4"	
S16SFH90S-9-16	1"	44.50 mm	1"	
S20SFH90S-9-16	1 1/4"	50.80 mm	1"	
S20SFH90S-9-20	1 1/4"	50.80 mm	1 1/4"	
S24SFH90S-9-20	1 1/2"	60.30 mm	1 1/4"	
S24SFH90S-9-24	1 1/2"	63.50mm	1 1/2"	

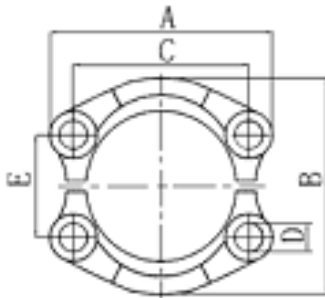
SPLIT FLANGES

3000 Split Flange



Part No	Description	Price
SF3000-08	1/2" Split Flange	
SF3000-12	3/4" Split Flange	
SF3000-16	1" Split Flange	
SF3000-20	1 1/4" Split Flange	
SF3000-24	1 1/2" Split Flange	
SF3000-32	2" Split Flange	

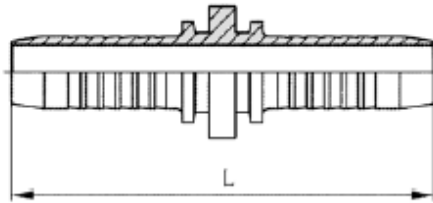
6000 Split Flange



Part No	Description	Price
SF6000-08	1/2" Split Flange	
SF6000-12	3/4" Split Flange	
SF6000-16	1" Split Flange	
SF6000-20	1 1/4" Split Flange	
SF6000-24	1 1/2" Split Flange	
SF6000-32	2" Split Flange	

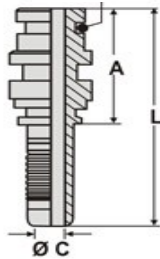
KOMATSU, KARCHER JAPANESE FITTINGS, HOSE JOINERS

Hose Joiners



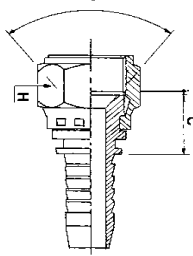
Part No.	Size	Price
X04H/J	1/4"	
X05H/J	5/16"	
X06H/J	3/8"	
X08H/J	1/2"	
X10H/J	5/8"	
X12H/J	3/4"	
X16H/J	1"	
X20H/J	1 1/4"	
X24H/J	1 1/2"	

Staple-Lock Male Fittings



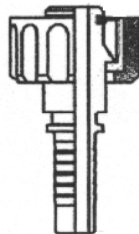
Part No.	Size	Price
NW06-04	1/4"	
NW10-04	1/4"	
NW10-06	3/8"	
NW13-08	1/2"	
NW20-12	3/4"	
NW25-16	1"	
NW32-20	1 1/4"	

Komatsu Female Hose Fittings



Part No	Thread	Hose	Price
24011-14-04	14 x 1.5	1/4"	
24011-18-06	18 x 1.5	3/8"	
24011-22-08	22 x 1.5	1/2"	
24011-24-10	24 x 1.5	5/8"	
24011-30-12	30 x 1.5	3/4"	
24011-33-16	33 x 1.5	1"	

Karcher Hose Fittings



Part No	Thread	Hose	Price
X22MSF15-04K	22 x 1.5	1/4"	
X22MSF15-05K	22 x 1.5	5/16"	
X22MSF15-06K	22 x 1.5	3/8"	
X22ME15-04K	22 x 1.5	1/4"	
X22ME15-05K	22 x 1.5	5/16"	
X22ME15-06K	22 x 1.5	3/8"	

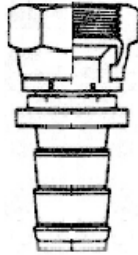
Japanese Female Hose Fittings - BJF



Part No	Thread	Hose	Price
X04BJF04	1/4"	1/4"	
X06BJF06	3/8"	3/8"	
X08BJF08	1/2"	1/2"	
X12BJF12	3/4"	3/4"	
X16BJF16	1"	1"	
X20BJF20	1 1/4"	1 1/4"	

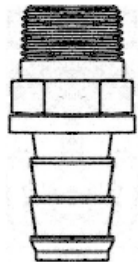
BRASS PUSHLOCK FITTINGS

Brass



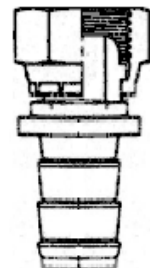
Part No	Jic	Hose	Price
30682-4-4B	7/16"	1/4"	
30682-5-4B	1/2"	1/4"	
30682-6-4B	3/8"	1/4"	
30682-6-6B	9/16"	3/8"	
30682-8-8B	3/4"	1/2"	
30682-8-10B	1/2"	5/8"	
30682-10-08B	7/8"	5/8"	
30682-10-10B	7/8"	5/8"	
30682-12-12B	1 1/16"	3/4"	
30882-6-6B	5/8"-18 Sae	3/8"	

Brass Pushlok Fittings - Npt Male



Part No	Npt	Hose	Price
30182-2-4B	1/8"	1/4"	
30182-4-4B	1/4"	1/4"	
30182-4-6B	1/4"	3/8"	
30182-6-4B	3/8"	1/4"	
30182-6-6B	3/8"	3/8"	
30182-6-8B	3/8"	1/2"	
30182-8-6B	1/2"	3/8"	
30182-8-8B	1/2"	1/2"	
30182-12-08B	3/4"	1/2"	
30182-12-12B	3/4"	3/4"	

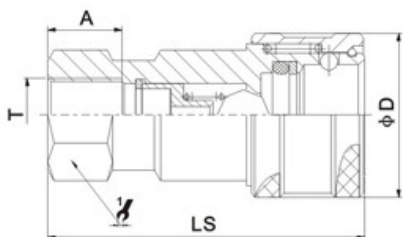
Brass Pushlock Fittings - Bsp Female



Part No	Bsp	Hose	Price
39282-04-04	1/4"	1/4"	
39282-06-06	3/8"	3/8"	
39282-08-08	1/2"	1/2"	
39282-12-12	3/4"	3/4"	
39282-16-16	1"	1"	

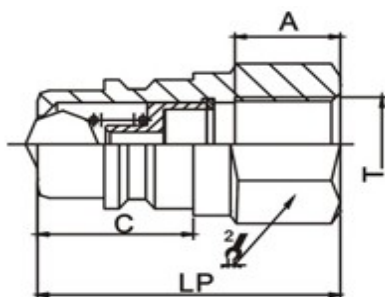
QUICK COUPLERS

Ball Type NPT Female



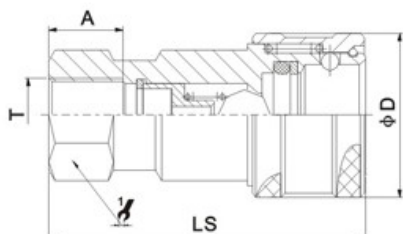
Part No	Size	Price
4050-02	1/4"	
4050-03	3/8"	
4050-04	1/2"	
4050-05	3/4"	
4050-06	1"	

Ball Type NPT Male



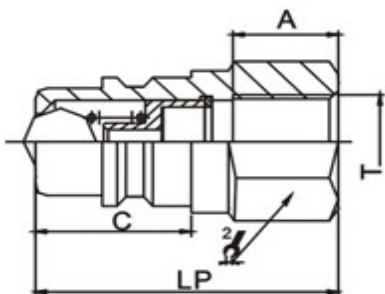
Part No	Size	Price
4010-02	1/4"	
4010-03	3/8"	
4010-04	1/2"	
4010-05	3/4"	
4010-06	1"	

Ball Type BSP Female



Part No	Size	Price
4050-02/B	1/4"	
4050-03/B	3/8"	
4050-04/B	1/2"	
4050-05/B	3/4"	
4050-06/B	1"	

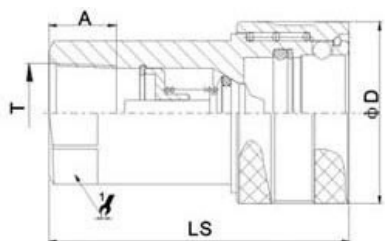
Ball Type BSP Male



Part No	Size	Price
4010-02/B	1/4"	
4010-03/B	3/8"	
4010-04/B	1/2"	
4010-05/B	3/4"	
4010-06/B	1"	

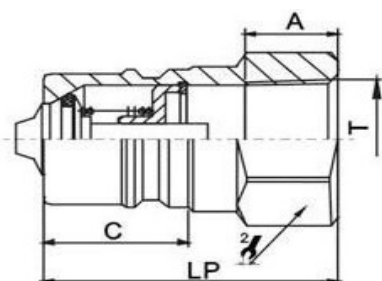
QUICK COUPLERS

Pin Type NPT Female



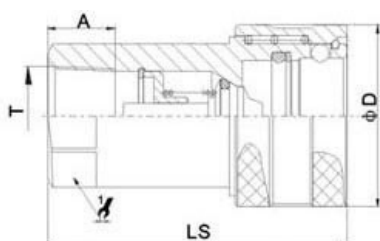
Part No	Size	Price
4050-2P	1/4"	
4050-3P	3/8"	
4050-4P	1/2"	
4050-6P	1"	
4050-7P	1 1/4"	
4050-8P	1 1/2"	

Pin Type NPT Male



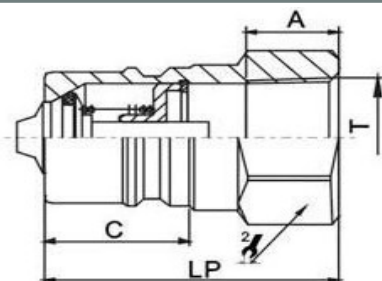
Part No	Size	Price
4010-2P	1/4"	
4010-3P	3/8"	
4010-4P	1/2"	
4010-6P	1"	
4010-7P	1 1/4"	
4010-8P	1 1/2"	

Pin Type BSP Female



Part No	Size	Price
4050-2P/B	1/4"	
4050-3P/B	3/8"	
4050-4P/B	1/2"	
4050-6P/B	1"	
4050-7P/B	1 1/4"	
4050-8P/B	1 1/2"	

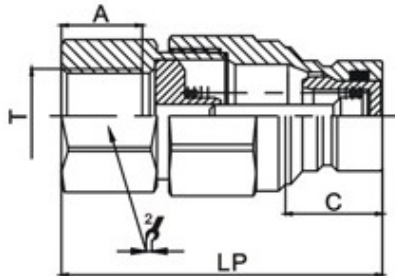
Pin Type BSP Male



Part No	Size	Price
4010-2P/B	1/4"	
4010-3P/B	3/8"	
4010-4P/B	1/2"	
4010-6P/B	1"	
4010-7P/B	1 1/4"	
4010-8P/B	1 1/2"	

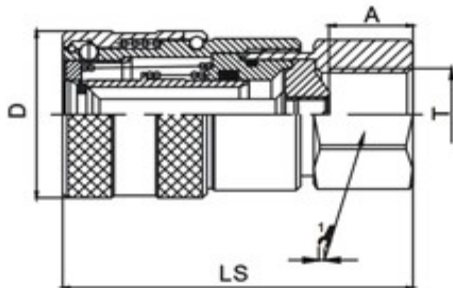
QUICK COUPLERS

Flat Faced Female



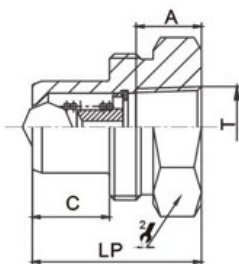
Part No	Size	Price
4050-02F	1/4"	
4050-03F	3/8"	
4050-04F	1/2"	
4050-05F	3/4"	
4050-06F	1"	

Flat Faced Male



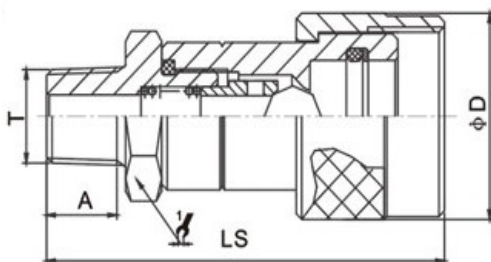
Part No	Size	Price
4010-02F	1/4"	
4010-03F	3/8"	
4010-04F	1/2"	
4010-05F	3/4"	
4010-06F	1"	

Enerpac Screw In Males



Part No	Size	Price
3010-02	1/4"	
3010-03	3/8"	
3010-02P	1/4"	
3010-03P	3/8"	

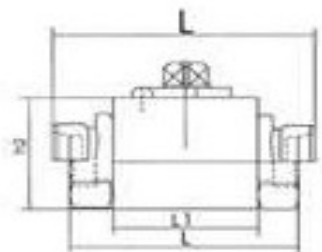
Enerpac Screw In Females



Part No	Size	Price
3050-02	1/4"	
3050-03	3/8"	
3050-02P	1/4"	
3050-03P	3/8"	

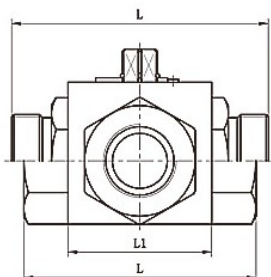
Ball Valves

High Pressure Ball Valves 2 Way



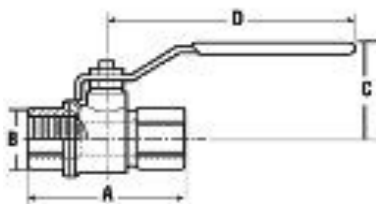
Part No	Size	Price
BKHG1/8	1/8"	
BKHR 1/4	1/4"	
BKHR 3/8	3/8"	
BKHR 1/2	1/2"	
BKHR 3/4	3/4"	
BKHR 1	1"	
BKHR11/4	1 1/4"	
BKHR11/2	1 1/2"	
BKHG2	2"	

High Pressure Ball Valves 3 Way



Part No	Size	Price
BK3G1/8	1/8"	
BK3G1/4	1/4"	
BK3G3/8	3/8"	
BK3G1/2	1/2"	
BK3G3/4	3/4"	
BK3G1	1"	
BK3G1 1/4	1 1/4"	
BK3G1 1/2	1 1/2"	
BK3G2	2"	

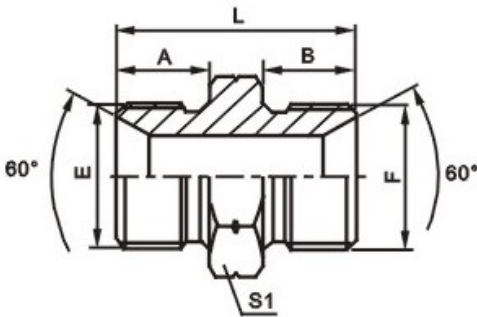
Low Pressure Ball Valves



Part No	Size	Price
LPBV 1/4	1/4"	
LPBV 3/8	3/8"	
LPBV 1/2	1/2"	
LPBV 3/4	3/4"	
LPBV 1	1"	
LPBV 1 1/4	1 1/4"	
LPBV 1 1/2	1 1/2"	
LPBV 2	2"	

BSP/BSPT MALE ADAPTORS

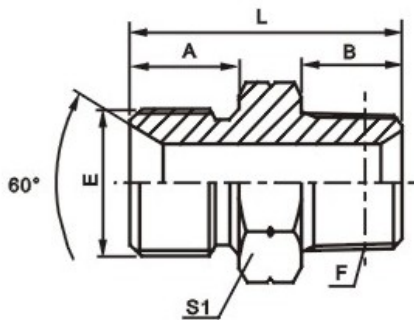
Bsp x Bsp Adaptor



Part No	Bsp	Bsp	Price
HNB-02-02	1/8"	1/8"	
HNB-04-02	1/4"	1/8"	
HNB-04-04	1/4"	1/4"	
HNB-06-04	3/8"	1/4"	
HNB-06-06	3/8"	3/8"	
HNB-08-04	1/2"	1/4"	
HNB-08-06	1/2"	3/8"	
HNB-08-08	1/2"	1/2"	
HNB-10-08	5/8"	1/2"	
HNB-10-10	5/8"	5/8"	
HNB-12-06	3/4"	3/8"	
HNB-12-08	3/4"	1/2"	
HNB-12-10	3/4"	5/8"	
HNB-12-12	3/4"	3/4"	
HNB-16-08	1"	1/2"	
HNB-16-12	1"	3/4"	
HNB-16-16	1"	1"	
HNB-20-12	1 1/4"	3/4"	
HNB-20-16	1 1/4"	1"	
HNB-20-20	1 1/4"	1 1/4"	
HNB-24-16	1 1/2"	1"	
HNB-24-20	1 1/2"	1 1/4"	
HNB-24-24	1 1/2"	1 1/2"	
HNB-32-24	2"	1 1/2"	
HNB-32-32	2"	2"	

BSP/BSPT MALE ADAPTORS

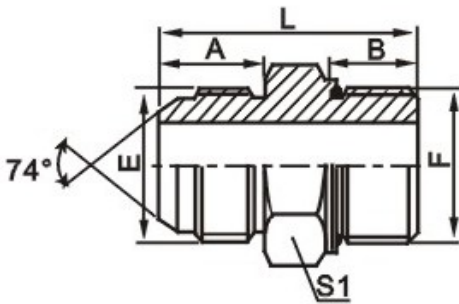
Bsp x Bspt Adaptor



Part No	Bsp	Npt	Price
HNBT-02-02	1/8"	1/8"	
HNBT-04-02	1/4"	1/8"	
HNBT-04-04	1/4"	1/4"	
HNBT-04-06	1/4"	3/8"	
HNBT-04-08	1/4"	1/2"	
HNBT-06-04	3/8"	1/4"	
HNBT-06-06	3/8"	3/8"	
HNBT-06-08	3/8"	1/2"	
HNBT-08-04	1/2"	1/4"	
HNBT-08-06	1/2"	3/8"	
HNBT-08-08	1/2"	1/2"	
HNBT-08-12	1/2"	3/4"	
HNBT-08-16	1/2"	1"	
HNBT-10-06	5/8"	3/8"	
HNBT-10-08	5/8"	1/2"	
HNBT-10-10	5/8"	5/8"	
HNBT-12-08	3/4"	1/2"	
HNBT-12-12	3/4"	3/4"	
HNBT-12-16	3/4"	1"	
HNBT-16-12	1"	3/4"	
HNBT-16-16	1"	1"	
HNBT-16-20	1"	1 1/4"	
HNBT-20-16	1 1/4"	1"	
HNBT-20-20	1 1/4"	1 1/4"	
HNBT-20-24	1 1/4"	1 1/2"	
HNBT-24-20	1 1/2"	1 1/4"	
HNBT-24-24	1 1/2"	1 1/2"	
HNBT-32-20	2"	1 1/4"	
HNBT-32-24	2"	1 1/2"	
HNBT-32-32	2"	2"	

BSP/JIC MALE ADAPTORS

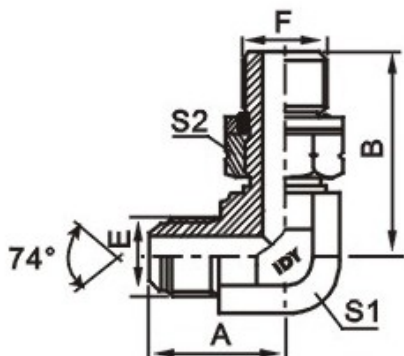
Bsp x Jic Adaptor



Part No	Jic	Bsp	Price
MCJB-04-02	7/16"	1/8"	
MCJB-04-04	7/16"	1/4"	
MCJB-04-06	7/16"	3/8"	
MCJB-04-08	7/16"	1/2"	
MCJB-05-04	1/2"	1/4"	
MCJB-06-04	9/16"	1/4"	
MCJB-06-06	9/16"	3/8"	
MCJB-06-08	9/16"	1/2"	
MCJB-06-10	9/16"	5/8"	
MCJB-06-12	9/16"	3/4"	
MCJB-08-04	3/4"	1/4"	
MCJB-08-06	3/4"	3/8"	
MCJB-08-08	3/4"	1/2"	
MCJB-08-10	3/4"	5/8"	
MCJB-08-12	3/4"	3/4"	
MCJB-08-16	3/4"	1"	
MCJB-10-06	7/8"	3/8"	
MCJB-10-08	7/8"	1/2"	
MCJB-10-10	7/8"	5/8"	
MCJB-10-12	7/8"	3/4"	
MCJB-12-08	1 1/16"	1/2"	
MCJB-12-10	1 1/16"	5/8"	
MCJB-12-12	1 1/16"	3/4"	
MCJB-12-16	1 1/16"	1"	
MCJB-12-20	1 1/16"	1 1/4"	
MCJB-16-12	1 5/16"	3/4"	
MCJB-16-16	1 5/16"	1"	
MCJB-16-20	1 5/16"	1 1/4"	
MCJB-16-24	1 5/16"	1 1/2"	
MCJB-20-16	1 5/8"	1"	
MCJB-20-20	1 5/8"	1 1/4"	
MCJB-20-24	1 5/8"	1 1/2"	
MCJB-24-20	1 7/8"	1 1/4"	
MCJB-24-24	1 7/8"	1 1/2"	
MCJB-32-32	2 1/2"	2"	

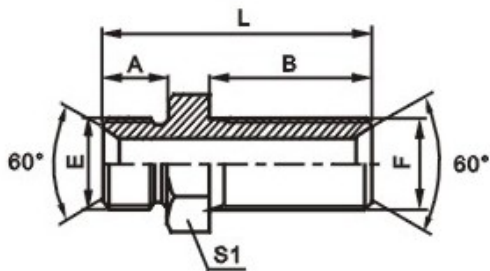
BSP/JIC MALE ADAPTORS

Bsp x Jic 90 Bulkhead



Part No	Jic	Bsp	Price
C40XS-04-02	7/16"	1/8"	
C40XS-04-04	7/16"	1/4"	
C40XS-04-06	7/16"	3/8"	
C40XS-06-04	9/16"	1/4"	
C40XS-06-06	9/16"	3/8"	
C40XS-06-08	9/16"	1/2"	
C40XS-08-06	3/4"	3/8"	
C40XS-08-08	3/4"	1/2"	
C40XS-08-12	3/4"	3/4"	
C40XS-10-08	7/8"	1/2"	
C40XS-10-12	7/8"	3/4"	
C40XS-12-08	1 1/16"	1/2"	
C40XS-12-12	1 1/16"	3/4"	
C40XS-12-16	1 1/16"	1"	
C40XS-16-12	1 5/16"	3/4"	
C40XS-16-16	1 5/16"	1"	

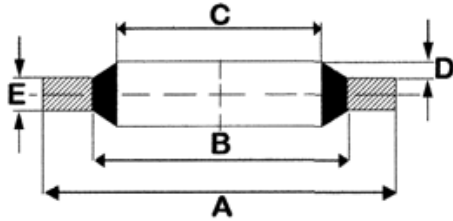
Bsp Bulkhead With Locknut



Part No	Thread	Price
BHB-04	1/4"	
BHB-06	3/8"	
BHB-08	1/2"	
BHB-10	5/8"	
BHB-12	3/4"	
BHB-16	1"	
BHB-20	1 1/4"	

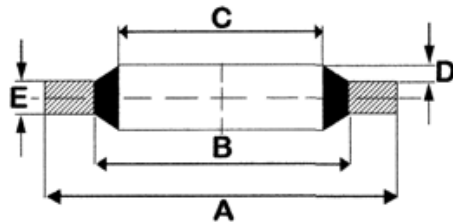
DOWTY WASHERS

Dowty Washers - Imperial



Part No	Thread	Price
DW-02	1/8"	
DW-04	1/4"	
DW-06	3/8"	
DW-08	1/2"	
DW-10	5/8"	
DW-12	3/4"	
DW-16	1"	
DW-20	1 1/4"	
DW-24	1 1/2"	
DW-32	2"	

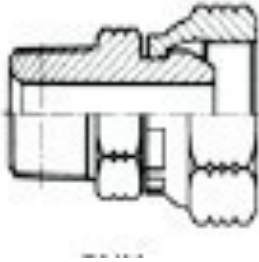
Dowty Washers - Metric



Part No	Thread	Price
DW-06M	6mm	
DW-08M	8mm	
DW-10M	10mm	
DW-12M	12mm	
DW-14M	14mm	
DW-16M	16mm	
DW-18M	18mm	
DW-20M	20mm	
DW-22M	22mm	
DW-24M	24mm	
DW-26M	26mm	
DW-30M	30mm	
DW-36M	36mm	

MALE NPT X FEMALE NPT SWIVEL

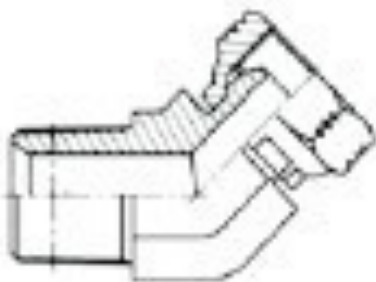
**Male Npt x Female Swivel Npt
- Str**



Part No	Npt	Npt	Price
1404-02-02	1/8"	1/8"	
1404-02-04	1/8"	1/4"	
1404-04-02	1/4"	1/2"	
1404-04-04	1/4"	1/4"	
1404-04-06	1/4"	3/8"	
1404-06-04	3/8"	1/4"	
1404-06-06	3/8"	3/8"	
1404-06-08	3/8"	1/2"	
1404-08-04	1/2"	1/4"	
1404-08-06	1/2"	3/8"	
1404-08-08	1/2"	1/2"	
1404-08-12	1/2"	3/4"	
1404-12-08	3/4"	1/2"	
1404-12-12	3/4"	3/4"	
1404-12-16	3/4"	1"	
1404-16-12	1"	3/4"	
1404-16-16	1"	1"	
1404-16-20	1"	1 1/4"	
1404-20-20	1 1/4"	1 1/4"	
1404-20-24	1 1/4"	1 1/2"	
1404-24-24	1 1/2 "	1 1/2"	
1404-32-32	2"	2"	

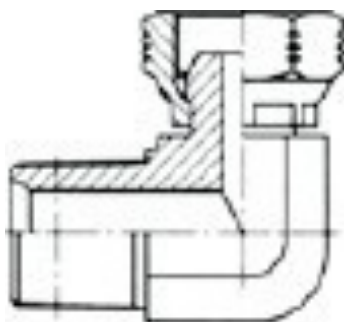
MALE NPT X FEMALE NPT SWIVEL

**Male Npt x Female Swivel Npt
- 45**



Part No	Npt	Npt	Price
1503-02-02	1/8"	1/8"	
1503-04-04	1/4"	1/4"	
1503-06-06	3/8"	3/8"	
1503-08-06	1/2"	3/8"	
1503-08-08	1/2"	1/2"	
1503-12-08	3/4"	1/2"	
1503-12-12	3/4"	3/4"	
1503-16-12	1"	3/4"	
1503-16-16	1"	1"	
1503-20-20	1 1/4"	1 1/4"	
1503-24-24	1 1/2 "	1 1/2"	
1503-32-32	2"	2"	

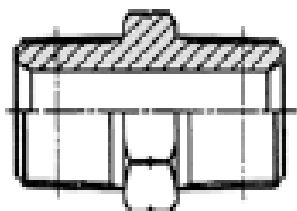
**Male Npt x Female Swivel Npt
- 90**



Part No	Npt	Npt	Price
1501-02-02	1/8"	1/8"	
1501-02-04	1/8"	1/4"	
1501-04-02	1/4"	1/8"	
1501-04-04	1/4"	1/4"	
1501-04-06	1/4"	3/8"	
1501-06-04	3/8"	1/4"	
1501-06-06	3/8"	3/8"	
1501-06-08	3/8"	1/2"	
1501-08-06	1/2"	3/8"	
1501-08-08	1/2"	1/2"	
1501-08-12	1/2"	3/4"	
1501-12-08	3/4"	1/2"	
1501-12-12	3/4"	3/4"	
1501-12-16	3/4"	1"	
1501-16-12	1"	3/4"	
1501-16-16	1"	1"	
1501-16-20	1"	1 1/4"	
1501-20-16	1 1/4"	1"	
1501-20-20	1 1/4"	1 1/4"	
1501-24-24	1 1/2 "	1 1/2"	
1501-32-32	2"	2"	

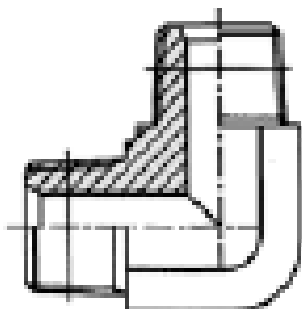
NPT ADAPTORS

Npt Male - Straight



Part No	Npt	Npt	Price
5404-02-02	1/8"	1/8"	
5404-04-02	1/4"	1/8"	
5404-04-04	1/4"	1/4"	
5404-06-02	3/8"	1/8"	
5404-06-04	3/8"	1/4"	
5404-06-06	3/8"	3/8"	
5404-08-04	1/2"	1/4"	
5404-08-06	1/2"	3/8"	
5404-08-08	1/2"	1/2"	
5404-12-06	3/4"	3/8"	
5404-12-08	3/4"	1/2"	
5404-12-12	3/4"	3/4"	
5404-16-08	1"	1/2"	
5404-16-12	1"	3/4"	
5404-16-16	1"	1"	
5404-20-16	1 1/4"	1"	
5404-20-20	1 1/4"	1 1/4"	
5404-24-16	1 1/2"	1"	
5404-24-20	1 1/2"	1 1/4"	
5404-24-24	1 1/2"	1 1/2"	
5404-32-32	2"	2"	

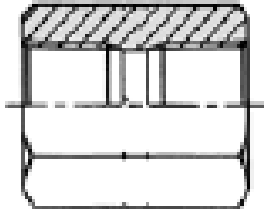
Npt Male - 90



Part No	Npt	Npt	Price
5500-02-02	1/8"	1/8"	
5500-04-04	1/4"	1/4"	
5500-06-06	3/8"	3/8"	
5500-08-08	1/2"	1/2"	
5500-12-12	3/4"	3/4"	
5500-16-16	1"	1"	
5500-20-20	1 1/4"	1 1/4"	
5500-24-24	1 1/2"	1 1/2"	
5500-32-32	2"	2"	

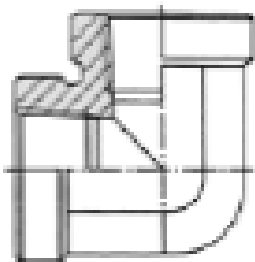
SOCKETS

Npt Socket - Straight



Part No	Npt	Npt	Price
5000-02-02	1/8"	1/8"	
5000-04-02	1/4"	1/8"	
5000-04-04	1/4"	1/4"	
5000-06-04	3/8"	1/4"	
5000-06-06	3/8"	3/8"	
5000-08-04	1/2"	1/4"	
5000-08-06	1/2"	3/8"	
5000-08-08	1/2"	1/2"	
5000-12-08	3/4"	1/2"	
5000-12-12	3/4"	3/4"	
5000-16-08	1"	1/2"	
5000-16-12	1"	3/4"	
5000-16-16	1"	1"	
5000-20-20	1 1/4"	1 1/4"	
5000-24-24	1 1/2"	1 1/2"	
5000-32-32	2"	2"	

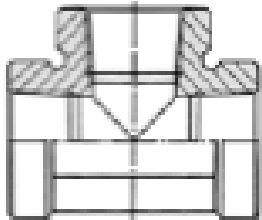
Npt Socket - 90



Part No	Npt	Npt	Price
5504-02-02	1/8"	1/8"	
5504-04-04	1/4"	1/4"	
5504-06-06	3/8"	3/8"	
5504-08-08	1/2"	1/2"	
5504-12-12	3/4"	3/4"	
5504-16-16	1"	1"	
5504-20-20	1 1/4"	1 1/4"	
5504-24-24	1 1/2"	1 1/2"	
5504-32-32	2"	2"	

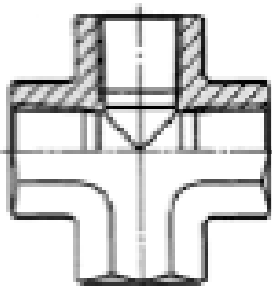
SOCKETS

Npt Socket - Tees



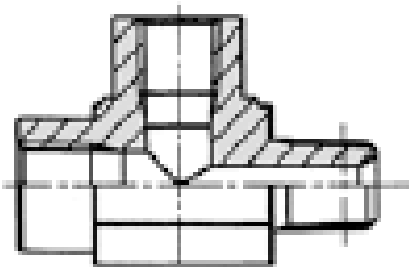
Part No	Npt	Npt	Price
5605-02-02-02	1/8"	1/8"	
5605-04-04-04	1/4"	1/4"	
5605-06-06-06	3/8"	3/8"	
5605-08-08-08	1/2"	1/2"	
5605-12-12-12	3/4"	3/4"	
5605-16-16-16	1"	1"	
5605-20-20-20	1 1/4"	1 1/4"	
5605-24-24-24	1 1/2"	1 1/2"	
5605-32-32-32	2"	2"	

Npt Socket - Female Cross



Part No	Npt	Npt	Price
5652-02	1/8"	1/8"	
5652-04	1/4"	1/4"	
5652-06	3/8"	3/8"	
5652-08	1/2"	1/2"	
5652-12	3/4"	3/4"	
5652-16	1"	1"	

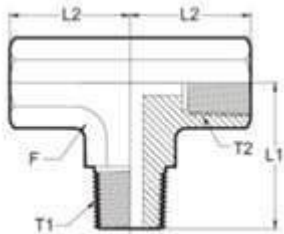
Npt Street - Tee



Part No	Npt	Npt	Price
5602-02-02-02	1/8"	1/8"	
5602-04-04-04	1/4"	1/4"	
5602-06-06-06	3/8"	3/8"	
5602-08-08-08	1/2"	1/2"	
5602-12-12-12	3/4"	3/4"	
5602-16-16-16	1"	1"	
5602-20-20-20	1 1/4"	1 1/4"	
5602-24-24-24	1 1/2"	1 1/2"	

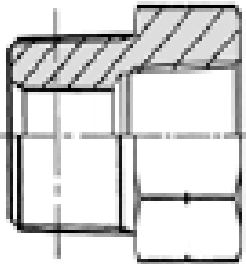
NPT FEMALE FIXED ADAPTORS

Npt Branch - Tee



Part No	Npt	Npt	Price
5604-02-02-02	1/8"	1/8"	
5604-04-04-04	1/4"	1/4"	
5604-06-06-06	3/8"	3/8"	
5604-08-08-08	1/2"	1/2"	
5604-12-12-12	3/4"	3/4"	
5604-16-16-16	1"	1"	
5604-20-20-20	1 1/4"	1 1/4"	

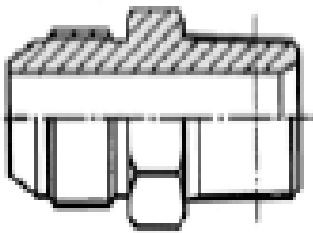
Npt Reducer



Part No	Npt	Npt	Price
5406-04-02	1/4"	1/8"	
5406-06-02	3/8"	1/8"	
5406-06-04	3/8"	1/4"	
5406-08-02	1/2"	1/8"	
5406-08-04	1/2"	1/4"	
5406-08-06	1/2"	3/8"	
5406-12-04	3/4"	1/4"	
5406-12-06	3/4"	3/8"	
5406-12-08	3/4"	1/2"	
5406-16-04	1"	1/4"	
5406-16-06	1"	3/8"	
5406-16-08	1"	1/2"	
5406-16-12	1"	3/4"	
5406-20-08	1 1/4"	1/2"	
5406-20-12	1 1/4"	3/4"	
5406-20-16	1 1/4"	1"	
5406-24-12	1 1/2"	3/4"	
5406-24-16	1 1/2"	1"	
5406-24-20	1 1/2"	1 1/4"	
5406-32-16	2"	1"	
5406-32-20	2"	1 1/4"	
5406-32-24	2"	1 1/2"	

JIC MALE X NPT MALE

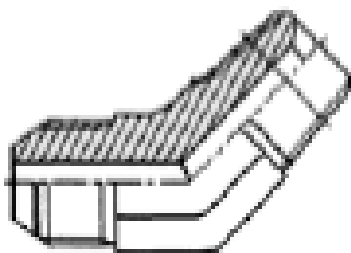
Jic Male x Npt Male - Straight



Part No	Jic	Npt	Price
2404-04-02	7/16"	1/8"	
2404-04-04	7/16"	1/4"	
2404-04-06	7/16"	3/8"	
2404-04-08	7/16"	1/2"	
2404-05-02	1/2"	1/8"	
2404-05-04	1/2"	1/4"	
2404-05-06	1/2"	3/8"	
2404-06-02	9/16"	1/8"	
2404-06-04	9/16"	1/4"	
2404-06-06	9/16"	3/8"	
2404-06-08	9/16"	1/2"	
2404-06-12	9/16"	3/4"	
2404-08-04	3/4"	1/4"	
2404-08-06	3/4"	3/8"	
2404-08-08	3/4"	1/2"	
2404-08-12	3/4"	3/4"	
2404-08-16	3/4"	1"	
2404-10-06	7/8"	3/8"	
2404-10-08	7/8"	1/2"	
2404-10-12	7/8"	3/4"	
2404-12-08	1 1/16"	1/2"	
2404-12-12	1 1/16"	3/4"	
2404-12-16	1 1/16"	1"	
2404-12-20	1 1/16"	1 1/4"	
2404-16-12	1 5/16"	3/4"	
2404-16-16	1 5/16"	1"	
2404-16-20	1 5/16"	1 1/4"	
2404-16-24	1 5/16"	1 1/2"	
2404-20-16	1 5/8"	1"	
2404-20-20	1 5/8"	1 1/4"	
2404-20-24	1 5/8"	1 1/2"	
2404-24-16	1 7/8"	1"	
2404-24-20	1 7/8"	1 1/4"	
2404-24-24	1 7/8"	1 1/2"	
2404-32-32	2 1/2"	2"	

JIC MALE X NPT MALE

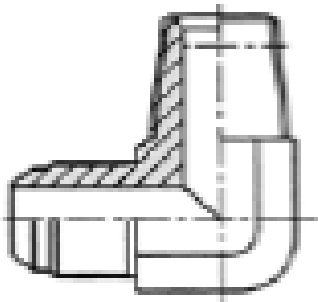
Jic Male x Npt Male - 45



Part No	Jic	Npt	Price
2503-04-02	7/16"	1/8"	
2503-04-04	7/16"	1/4"	
2503-04-06	7/16"	3/8"	
2503-05-02	1/2"	1/8"	
2503-05-04	1/2"	1/4"	
2503-06-02	9/16"	1/8"	
2503-06-04	9/16"	1/4"	
2503-06-06	9/16"	3/8"	
2503-06-08	9/16"	1/2"	
2503-08-04	3/4"	1/4"	
2503-08-06	3/4"	3/8"	
2503-08-08	3/4"	1/2"	
2503-08-12	3/4"	3/4"	
2503-10-06	7/8"	3/8"	
2503-10-08	7/8"	1/2"	
2503-10-12	7/8"	3/4"	
2503-12-08	1 1/16"	1/2"	
2503-12-12	1 1/16"	3/4"	
2503-12-16	1 1/16"	1"	
2503-16-12	1 5/16"	3/4"	
2503-16-16	1 5/16"	1"	
2503-16-20	1 5/8"	1 1/4"	
2503-20-16	1 5/8"	1"	
2503-20-20	1 5/8"	1 1/4"	
2503-24-24	1 7/8"	1 1/2"	
2503-32-32	2 1/2"	2"	

JIC MALE X NPT MALE

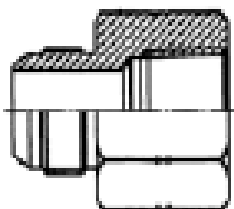
Jic Male x Npt Male - 90



Part No	Jic	Npt	Price
2501-04-02	7/16"	1/8"	
2501-04-04	7/16"	1/4"	
2501-04-06	7/16"	3/8"	
2501-04-08	7/16"	1/2"	
2501-05-02	1/2"	1/8"	
2501-05-04	1/2"	1/4"	
2501-06-02	9/16"	1/8"	
2501-06-04	9/16"	1/4"	
2501-06-06	9/16"	3/8"	
2501-06-08	9/16"	1/2"	
2501-06-12	9/16"	3/4"	
2501-08-04	3/4"	1/4"	
2501-08-06	3/4"	3/8"	
2501-08-08	3/4"	1/2"	
2501-08-12	3/4"	3/4"	
2501-10-06	7/8"	3/8"	
2501-10-08	7/8"	1/2"	
2501-10-12	7/8"	3/4"	
2501-12-08	1 1/16"	1/2"	
2501-12-12	1 1/16"	3/4"	
2501-12-16	1 1/16"	1"	
2501-16-12	1 5/16"	3/4"	
2501-16-16	1 5/16"	1"	
2501-16-20	1 5/16"	1 1/4"	
2501-20-16	1 5/8"	1"	
2501-20-20	1 5/8"	1 1/4"	
2501-24-20	1 7/8"	1 1/4"	
2501-24-24	1 7/8"	1 1/2"	
2501-32-32	2 1/2"	2"	

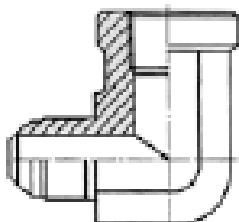
JIC MALE X NPT FEMALE FIXED & JIC/NPT BRANCH TEE

Jic Male x Npt Female Fixed - Str



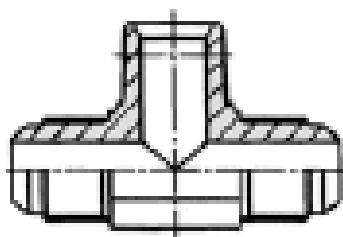
Part No	Jic	Npt	Price
2405-04-04	7/16"	1/4"	
2405-06-04	9/16"	1/4"	
2405-06-06	9/16"	3/8"	
2405-08-06	3/4"	3/8"	
2405-08-08	3/4"	1/2"	
2405-12-12	1 1/16"	3/4"	
2405-16-16	1 5/16"	1"	

Jic Male x Npt Female Fixed - 90



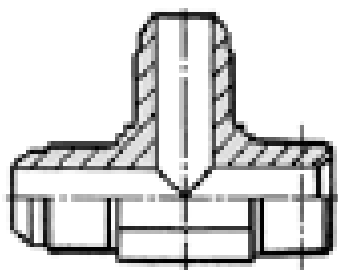
Part No	Jic	Npt	Price
2502-04-04	7/16"	1/4"	
2502-06-06	9/16"	3/8"	
2502-08-08	3/4"	1/2"	
2502-12-12	1 1/16"	3/4"	
2502-16-16	1 5/16"	1"	

Jic/Npt Branch Tee



Part No	Jic	Npt	Price
2601-04-04-04	7/16"	1/4"	
2601-06-06-04	9/16"	1/4"	
2601-06-06-06	9/16"	3/8"	
2601-08-08-06	3/4"	3/8"	
2601-08-08-08	3/4"	1/2"	
2601-12-12-12	1 1/16"	3/4"	
2601-16-16-16	1 5/16"	1"	

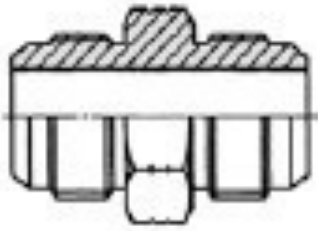
Jic/Npt Run Tee



Part No	Jic	Npt	Price
2605-04-04-04	7/16"	1/4"	
2605-06-06-04	9/16"	1/4"	
2605-06-06-06	9/16"	3/8"	
2605-08-08-06	3/4"	3/8"	
2605-08-08-08	3/4"	1/2"	
2605-12-12-12	1 1/16"	3/4"	
2605-16-16-16	1"	1"	

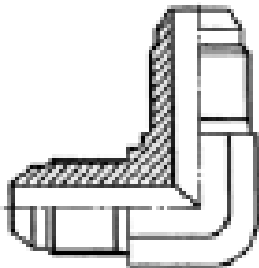
JIC ADAPTORS

Jic Adaptors - Straight



Part No	Jic	Jic	Price
2403-04-04	7/16"	7/16"	
2403-05-04	1/2"	7/16"	
2403-05-05	1/2"	1/2"	
2403-06-04	9/16"	7/16"	
2403-06-05	9/16"	1/2"	
2403-06-06	9/16"	9/16"	
2403-08-06	3/4"	9/16"	
2403-08-08	3/4"	3/4"	
2403-10-08	7/8"	3/4"	
2403-10-10	7/8"	7/8"	
2403-12-08	11/16"	3/4"	
2403-12-10	7/8"	11/16"	
2403-12-12	11/16"	11/16"	
2403-16-12	15/16"	11/16"	
2403-16-16	15/16"	15/16"	
2403-20-16	15/8"	15/16"	
2403-20-20	15/8"	15/8"	
2403-24-24	17/8"	17/8"	
2403-32-32	21/2"	21/2"	

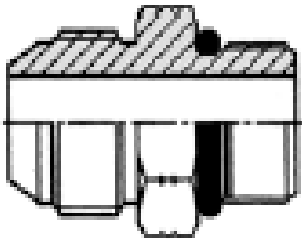
Jic Adaptors - 90



Part No	Jic	Jic	Price
2500-04-04	7/16"	7/16"	
2500-05-05	1/2"	1/2"	
2500-06-06	9/16"	9/16"	
2500-08-08	3/4"	3/4"	
2500-10-10	7/8"	7/8"	
2500-12-12	11/16"	11/16"	
2500-16-16	15/16"	15/16"	
2500-20-20	15/8"	15/8"	

JIC X SAE O' RING ADAPTORS

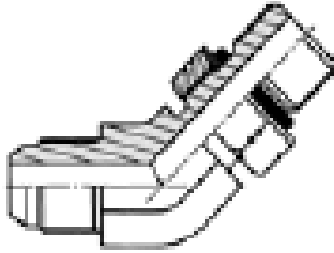
Jic Male x Sae O' Ring Male - Str



Part No	Jic	Sae	Price
6400-04-04	7/16"	7/16"	
6400-04-05	7/16"	1/2"	
6400-04-06	7/16"	9/16"	
6400-04-08	7/16"	3/4"	
6400-05-04	1/2"	7/16"	
6400-05-05	1/2"	1/2"	
6400-05-06	1/2"	9/16"	
6400-06-04	9/16"	7/16"	
6400-06-05	9/16"	1/2"	
6400-06-06		9/16"	
6400-06-08	9/16"	3/4"	
6400-06-10	9/16"	7/8"	
6400-06-12	9/16"	11/16"	
6400-08-04	3/4"	7/16"	
6400-08-06	3/4"	9/16"	
6400-08-08	3/4"	3/4"	
6400-08-10	3/4"	7/8"	
6400-08-12	3/4"	11/16"	
6400-08-16	3/4"	15/16"	
6400-10-06	7/8"	9/16"	
6400-10-08	7/8"	3/4"	
6400-10-10	7/8"	7/8"	
6400-10-12	7/8"	11/16"	
6400-12-06	11/16"	9/16"	
6400-12-08	11/16"	3/4"	
6400-12-10	11/16"	7/8"	
6400-12-12	11/16"	11/16"	
6400-12-16	11/16"	15/16"	
6400-16-10	15/16"	7/8"	
6400-16-12	15/16"	11/16"	
6400-16-16	15/6"	15/6"	
6400-16-20	15/6"	15/8"	
6400-20-16	15/8"	15/16"	
6400-20-20	15/8"	15/8"	
6400-20-24	15/8"	17/8"	
6400-24-20	17/8"	15/8"	
6400-24-24	17/8"	17/8"	
6400-32-32	21/2"	21/2"	

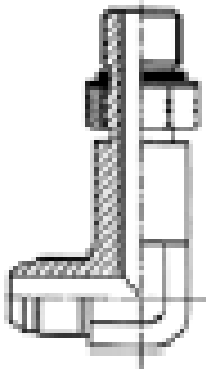
JIC X SAE O' RING ADAPTORS

Jic Male x Sae O' Ring Male - 45



Part No	Jic	Sae	Price
6802-04-04	7/16"	7/16"	
6802-05-05	1/2"	1/2"	
6802-06-06		9/16"	
6802-06-08	9/16"	3/4"	
6802-08-08	3/4"	3/4"	
6802-08-10	3/4"	7/8"	
6802-10-08	7/8"	3/4"	
6802-10-10	7/8"	7/8"	
6802-10-12	7/8"	11/16"	
6802-12-10	11/16"	7/8"	
6802-12-12	11/16"	11/16"	
6802-16-16	15/6"	15/6"	
6802-20-20	15/8"	15/8"	
6802-24-24	17/8"	17/8"	

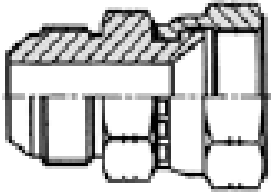
Jic Male x Sae O' Ring Male - 90



Part No	Jic	Sae	Price
6801-04-04	7/16"	7/16"	
6801-04-05	7/16"	1/2"	
6801-04-06	7/16"	9/16"	
6801-04-08	7/16"	3/4"	
6801-05-04	1/2"	7/16"	
6801-05-05	1/2"	1/2"	
6801-06-04	9/16"	7/16"	
6801-06-06	9/16"	9/16"	
6801-06-08	9/16"	3/4"	
6801-06-10	9/16"	7/8"	
6801-08-06	3/4"	9/16"	
6801-08-08	3/4"	3/4"	
6801-08-10	3/4"	7/8"	
6801-08-12	3/4"	11/16"	
6801-10-08	7/8"	3/4"	
6801-10-10	7/8"	7/8"	
6801-10-12	7/8"	11/16"	
6801-12-08	11/16"	3/4"	
6801-12-10	11/16"	7/8"	
6801-12-12	11/16"	11/16"	
6801-12-16	11/16"	15/16"	
6801-16-12	15/16"	11/16"	
6801-16-16	15/6"	15/6"	
6801-16-20	15/6"	15/8"	
6801-20-16	15/8"	15/16"	
6801-20-20	15/8"	15/8"	
6801-24-24	17/8"	17/8"	
6801-32-32	21/2"	21/2"	

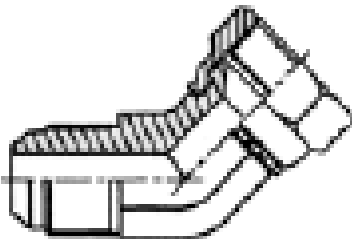
JIC MALE X JIC FEMALE ADAPTORS

Jic Male x Jic Female - Str



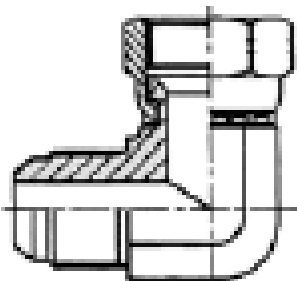
Part No	Jic	Price
6504-04-04	7/16"	
6504-06-04	9/16"-7/16"	
6504-06-06	9/16"	
6504-08-04	3/4"-7/16"	
6504-08-06	3/4"-9/16"	
6504-08-08	3/4"	
6504-10-06	7/8"-9/16"	
6504-10-08	7/8"-3/4"	
6504-10-10	7/8"	
6504-12-08	11/16"-3/4"	
6504-12-10	11/16"-7/8"	
6504-12-12	11/16"	
6504-16-08	15/16"-3/4"	
6504-16-16	15/16"	
6504-20-16	15/8"-15/16"	

Jic Male x Jic Female - 45



Part No	Jic	Price
6502-04-04	7/16"	
6502-05-05	1/2"	
6502-06-06	9/16"	
6502-08-08	3/4"	
6502-10-10	7/8"	
6502-12-12	11/16"	
6502-16-16	15/16"	
6502-20-20	15/8"	

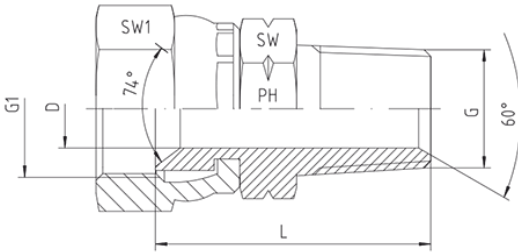
Jic Male x Jic Female - 90



Part No	Jic	Price
6500-04-04	7/16"	
6500-05-05	1/2"	
6500-06-06	9/16"	
6500-08-08	3/4"	
6500-10-10	7/8"	
6500-12-12	11/16"	
6500-16-16	15/16"	
6500-20-20	15/8"	
6500-24-24	17/8"	
6500-32-32	21/2"	

JIC FEMALE X NPT MALE ADAPTORS

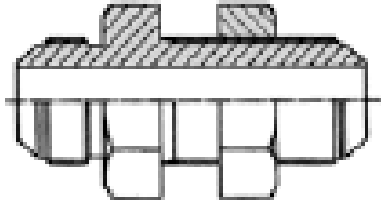
Jic Female x Npt Male - Str Swivel



Part No	Jic	Price
6505-04-04	7/16"-1/4"	
6505-04-06	7/16"-3/8"	
6505-06-04	9/16"-1/4"	
6505-08-06	3/4"-3/8"	
6505-10-08	7/8"-1/2"	
6505-12-10	1 1/16"-5/8"	
6505-12-12	1 1/16"-3/4"	
6505-16-12	1 5/16"-3/4"	

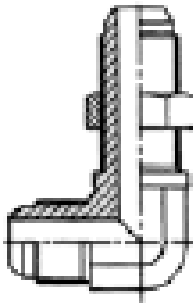
JIC BULKHEADS

Jic Bulkheads - Str



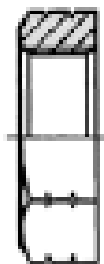
Part No	Jic	Price
2700-04-04	7/16"	
2700-05-05	1/2"	
2700-06-06	9/16"	
2700-08-08	3/4"	
2700-10-10	7/8"	
2700-12-12	1 1/16"	
2700-16-16	1 5/16"	
2700-20-20	1 5/8"	
2700-24-24	1 7/8"	

Jic Bulkheads - 90



Part No	Jic	Price
2701-04-04	7/16"	
2701-05-05	1/2"	
2701-06-06	9/16"	
2701-08-08	3/4"	
2701-10-10	7/8"	
2701-12-12	1 1/16"	
2701-16-16	1 5/16"	
2701-20-20	1 5/8"	

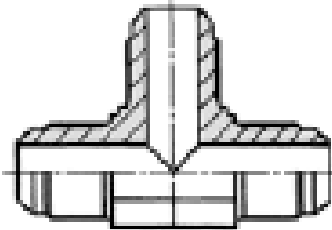
Jic Locknuts



Part No	Jic	Price
0306-04	7/16"	
0306-05	1/2"	
0306-06	9/16"	
0306-08	3/4"	
0306-10	7/8"	
0306-12	1 1/16"	
0306-16	1 5/16"	
0306-20	1 5/8"	
0306-24	1 7/8"	

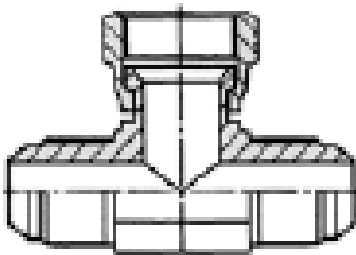
JIC TEE PIECES

Jic Male 'T' Pieces



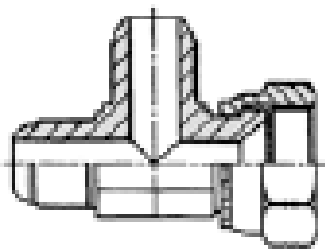
Part No	Jic	Price
2603-04-04-04	7/16"	
2603-05-05-05	5/16"	
2603-06-06-06	9/16"	
2603-08-08-08	3/4"	
2603-10-10-10	7/8"	
2603-12-12-12	1 1/16"	
2603-16-16-16	1 5/16"	
2603-20-20-20	1 5/8"	

Jic Male/Female Branch 'T'



Part No	Jic	Price
6600-04-04-04	7/16"	
6600-05-05-05	5/16"	
6600-06-06-06	9/16"	
6600-08-08-08	3/4"	
6600-10-10-10	7/8"	
6600-12-12-12	1 1/16"	
6600-16-16-16	1 5/16"	
6600-20-20-20	1 5/8"	

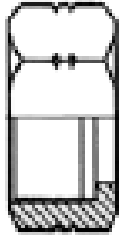
Jic Female Run 'T'



Part No	Jic	Price
6602-04-04-04	7/16"	
6602-05-05-05	5/16"	
6602-06-06-06	9/16"	
6602-08-08-08	3/4"	
6602-10-10-10	7/8"	
6602-12-12-12	1 1/16"	
6602-16-16-16	1 5/16"	
6602-20-20-20	1 5/8"	
6602-24-24-24	1 7/8"	

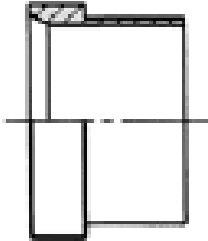
JIC TUBE NUTS, FERRULES, CAP, PLUGS

Jic Tube Nuts (Flare Nut)



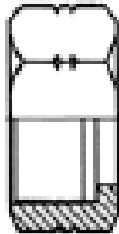
Part No	Jic	Price
318-04	7/16"	
318-05	5/16"	
318-06	9/16"	
318-08	3/4"	
318-10	7/8"	
318-12	1 1/16"	
318-16	1 5/16"	

Ferrules (Sleeves)



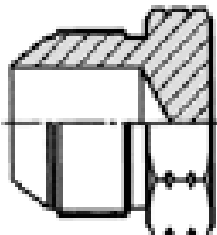
Part No	Jic	Price
319-04	7/16"	
319-05	5/16"	
319-06	9/16"	
319-08	3/4"	
319-10	7/8"	
319-12	1 1/16"	
319-16	1 5/16"	

Jic Caps



Part No	Jic	Price
304C-04	7/16"	
304C-05	5/16"	
304C-06	9/16"	
304C-08	3/4"	
304C-10	7/8"	
304C-12	1 1/16"	
304C-16	1 5/16"	
304C-20	1 5/8"	
304C-24	1 7/8"	
304C-32	2 1/2"	

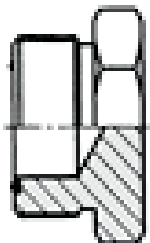
Jic Plugs



Part No	Size	Price
2408-04	7/16"	
2408-05	1/2"	
2408-06	9/16"	
2408-08	3/4"	
2408-10	7/8"	
2408-12	1 1/16"	
2408-16	1 5/16"	
2408-20	1 5/8"	
2408-24	1 7/8"	
2408-32	2 1/2"	

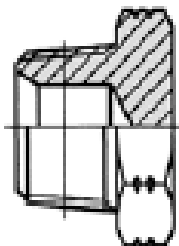
SAE, NPT, BSP PLUG

Sae Plug



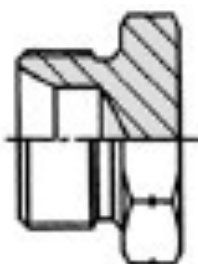
Part No	Size	Price
6408P-04	7/16"	
6408P-05	1/2"	
6408P-06	9/16"	
6408P-08	3/4"	
6408P-10	7/8"	
6408P-12	1 1/16"	
6408P-16	1 5/16"	
6408P-20	1 5/8"	
6408P-24	1 7/8"	

Npt Plug



Part No	Size	Price
5406P-02	1/8"	
5406P-04	1/4"	
5406P-06	3/8"	
5406P-08	1/2"	
5406P-12	3/4"	
5406P-16	1"	
5406P-20	1 1/4"	
5406P-24	1 1/2"	
5406P-32	2"	

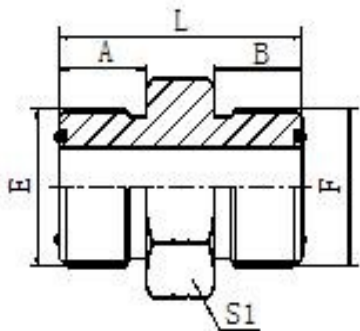
Bsp Plug



Part No	Size	Price
HPB-02	1/8"	
HPB-04	1/4"	
HPB-06	3/8"	
HPB-08	1/2"	
HPB-10	5/8"	
HPB-12	3/4"	
HPB-16	1"	
HPB-20	1 1/4"	
HPB-24	1 1/2"	
HPB-32	2"	

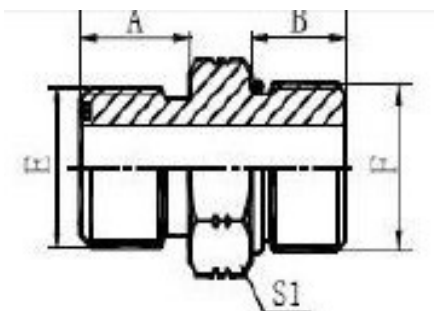
ORFS ADAPTERS

Orfs Male - Straight



Part No	Size	Price
FF2403-04-04	9/16"	
FF2403-06-04	1 1/16"-9/16"	
FF2403-06-06	1 1/16"	
FF2403-08-08	1 3/16"	
FF2403-10-08	1 3/16"-1"	
FF2403-08-12	1 3/16"-1 3/16"	
FF2403-10-10	1"	
FF2403-12-10	1"-1 3/16"	
FF2403-12-12	1 3/16"	
FF2403-16-16	1 7/16"	
FF2403-20-20	1 11/16"	

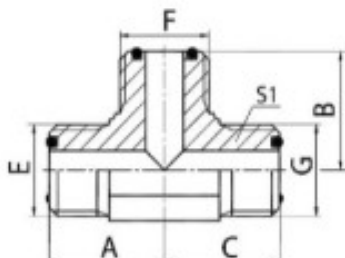
Orfs Male x Sae



Part No	Size	Price
FF6400-04-04	9/16"-7/16"	
FF6400-04-05	9/16"-1/2"	
FF6400-04-06	9/16"-9/16"	
FF6400-04-08	9/16"-3/4"	
FF6400-06-04	1 1/16"-1/2"	
FF6400-06-06	1 1/16"-9/16"	
FF6400-06-08	1 1/16"-3/4"	
FF6400-06-10	1 1/16"-7/8"	
FF6400-08-06	1 3/16"-9/16"	
FF6400-08-08	1 3/16"-3/4"	
FF6400-08-10	1 3/16"-7/8"	
FF6400-08-12	1 3/16"-1 1/16"	
FF6400-10-08	1"-3/4"	
FF6400-10-10	1"-7/8"	
FF6400-10-12	1"-1 1/16"	
FF6400-12-08	1 3/16"-3/4"	
FF6400-12-10	1 3/16"-7/8"	
FF6400-12-12	1 3/16"-1 1/16"	
FF6400-12-16	1 3/16"-1 5/16"	
FF6400-16-12	1 7/16"-1 1/16"	
FF6400-16-16	1 7/16"-1 5/16"	
FF6400-16-20	1 7/16"-1 5/8"	
FF6400-20-20	1 11/16"-1 5/8"	

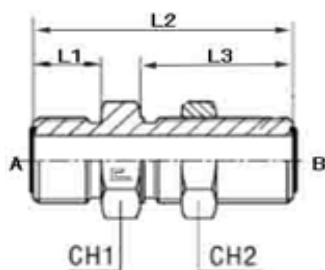
ORFS TEE, BULKHEAD

Orfs Male Tee



Part No	Size	Price
FF6602-04-04-04	9/16"	
FF6602-06-06-06	11/16"	
FF6602-08-08-08	13/16"	
FF6602-10-10-10	1"	
FF6602-12-12-12	1 3/16"	
FF6602-16-16-16	1 7/16"	
FF6602-20-20-20	1 11/16"	
FF6602-24-24-24	2"	

Orfs Male Bulkhead



Part No	Size	Price
FF2700-04-04	9/16"	
FF2700-06-06	11/16"	
FF2700-08-08	13/16"	
FF2700-10-10	1"	
FF2700-12-12	1 3/16"	
FF2700-16-16	1 7/16"	

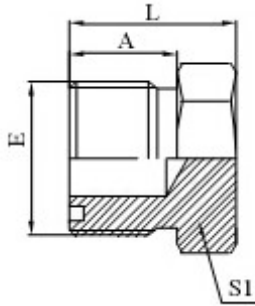
Orfs Male x Sae 90 Degree



Part No	Size	Price
FF6801-04-04	9/16"-7/16"	
FF6801-06-04	11/16"-7/16"	
FF6801-06-06	11/16"-9/16"	
FF6801-06-08	11/16"-3/4"	
FF6801-06-10	11/16"-7/8"	
FF6801-08-06	13/16"-9/16"	
FF6801-08-08	13/16"-3/4"	
FF6801-08-10	13/16"-7/8"	
FF6801-08-12	13/16"-1 1/16"	
FF6801-10-08	1"-3/4"	
FF6801-10-10	1"-7/8"	
FF6801-10-12	1"-1 1/16"	
FF6801-12-08	1 3/16"-3/4"	
FF6801-12-10	1 3/16"-7/8"	
FF6801-12-12	1 3/16"-1 1/16"	
FF6801-12-16	1 3/16"-1 5/16"	
FF6801-16-12	1 7/16"-1 1/16"	
FF6801-16-16	1 7/16"-1 5/16"	

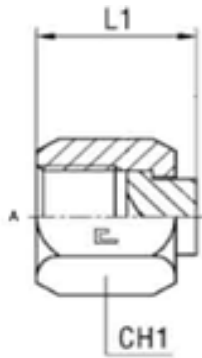
ORFS PLUGS

Orfs Plugs



Part No	Size	Price
FF2408-04	9/16"	
FF2408-06	11/16"	
FF2408-08	13/16"	
FF2408-10	1"	
FF2408-12	1 3/16"	
FF2408-16	1 7/16"	
FF2408-20	1 11/16"	
FF2408-24	2"	

Orfs Female Caps



Part No	Size	Price
FF304C-04	9/16"	
FF304C-06	11/16"	
FF304C-08	13/16"	
FF304C-10	1"	
FF304C-12	1 3/16"	
FF304C-16	1 7/16"	

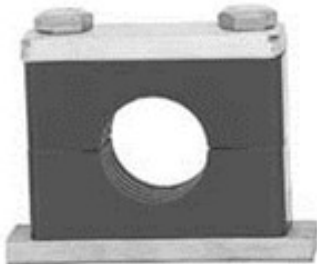
PIPE CLAMPS

Light Duty Pipe Clamps



Part No	Description	Price
ICL 106	6mm	
ICL 108	8mm	
ICL 110	10mm	
ICL 112	12mm	
ICL 214	14mm	
ICL 215	15mm	
ICL 216	16mm	
ICL 218	18mm	
ICL 320	20mm	
ICL 322	22mm	
ICL 325	25mm	
ICL 328	28mm	
ICL 330	30mm	
ICL 532	32mm	
ICL 535	35mm	
ICL 538	38mm	
ICL 542	42mm	

Heavy Duty Pipe Clamps



Part No	Description	Price
ICH 106	6mm	
ICH 108	8mm	
ICH 110	10mm	
ICH 112	12mm	
ICH 214	14mm	
ICH 215	15mm	
ICH 216	16mm	
ICH 218	18mm	
ICH 320	20mm	
ICH 322	22mm	
ICH 325	25mm	
ICH 428	28mm	
ICH 430	30mm	
ICH 535	32mm	
ICH 535	35mm	
ICH 538	38mm	
ICH 542	42mm	

PIPE CLAMPS

Stainless Steel Pipe Clamps



Part No	Description	Price
ICS 106	6mm	
ICS 108	8mm	
ICS 110	10mm	
ICS 112	12mm	
ICS 214	14mm	
ICS 215	15mm	
ICS 216	16mm	
ICS 218	18mm	
ICS 320	20mm	
ICS 322	22mm	
ICS 325	25mm	
ICS 428	28mm	
ICS 430	30mm	
ICS 535	32mm	
ICS 535	35mm	
ICS 538	38mm	
ICS 542	42mm	

Double Pipe Clamps



Part No	Description	Price
ICD 106	6mm	
ICD 108	8mm	
ICD 110	10mm	
ICD 112	12mm	
ICD 214	14mm	
ICD 215	15mm	
ICD 216	16mm	
ICD 218	18mm	
ICD 320	20mm	
ICD 322	22mm	
ICD 325	25mm	
ICD 428	28mm	
ICD 430	30mm	

JUBILEE CLAMPS

Light Duty Clamps



Part No	Description	Price
GT04	6-16	
GT06	11-20	
GT08	13-23	
GT10	14-27	
GT12	17-32	
GT16	21-38	
GT20	21-44	
GT24	27-51	
GT28	33-57	
GT32	40-63	
GT36	46-70	
GT40	52-76	
GT44	59-83	
GT48	65-89	
GT52	71-95	
GT56	78-102	
GT60	84-108	
GT64	90-114	
GT72	103-127	
GT80	117-140	
GT88	130-152	
GT96	141-165	
GT104	157-178	

BOLTED HOSE CLAMPS

Heavy Duty Hose Clamps

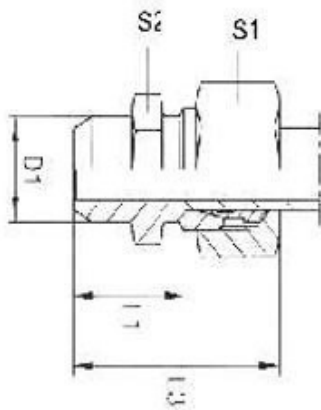


Part No	Diameter Range (mm)	Price
A23	23-26	
A26	26-29	
A29	29-32	
A31	31-34	
A37	37-41	
A41	41-46	
A45	45-50	
A54	54-61	
A65	65-72	
A82	82-89	

Part No	Diameter Range (mm)	Price
B30	30-34	
B34	34-38	
B37	37-41	
B40	40-45	
B43	43-48	
B46	46-52	
B48	48-54	
B54	54-60	
B58	58-66	
B62	62-70	
B66	66-74	
B70	70-78	
B74	74-82	
B78	78-86	
B82	82-90	
B86	86-94	
B94	94-102	
B102	102-110	
B110	110-118	
B118	118-126	

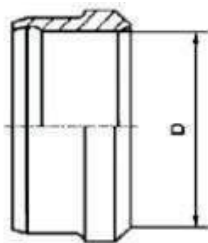
STEEL FITTINGS

Welding Bosses



Part No	Description	Price
AS 06L	06 mm	
AS 08L	08 mm	
AS 10L	10 mm	
AS 12L	12 mm	
AS 15L	15 mm	
AS 18L	18 mm	
AS 22L	22 mm	
AS 28L	28 mm	
AS 35L	35 mm	
AS 42L	42 mm	
AS 06S	06 mm	
AS 08S	08 mm	
AS 10S	10 mm	
AS 12S	12 mm	
AS 14S	14 mm	
AS 16S	16 mm	
AS 20S	20 mm	
AS 25S	25 mm	
AS 30S	30 mm	
AS 38S	38 mm	

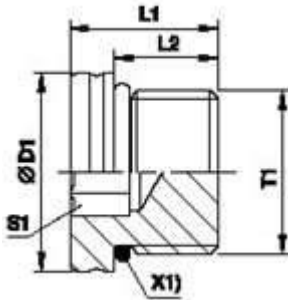
Cutting Rings



Part No	Description	Price
D 04LL	04 mm	
D 06LL	06 mm	
D 08LL	08 mm	
D 16LL	16 mm	
D 06L/S	06 mm	
D 08L/S	08 mm	
D 10L/S	10 mm	
D 12L/S	12 mm	
D 15L	15 mm	
D 18L	18 mm	
D 22L	22 mm	
D 28L	28 mm	
D 35L	35 mm	
D 42L	42 mm	
D 14S	14 mm	
D 16S	16 mm	
D 20S	20 mm	
D 25S	25 mm	
D 30S	30 mm	
D 38S	38 mm	

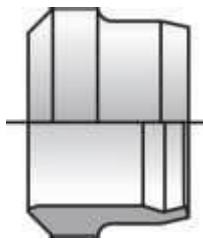
STEEL FITTINGS

Blanking Plugs



Part No	Description	Price
BUZ 06L/S	06 mm	
BUZ 08L/S	08 mm	
BUZ 10L/S	10 mm	
BUZ 12L/S	12 mm	
BUZ 15L	15 mm	
BUZ 18L	18 mm	
BUZ 22L	22 mm	
BUZ 28L	28 mm	
BUZ 35L	35 mm	
BUZ 42L	42 mm	
BUZ 14S	14 mm	
BUZ 16S	16 mm	
BUZ 20S	20 mm	
BUZ 25S	25 mm	
BUZ 30S	30 mm	
BUZ 38S	38 mm	

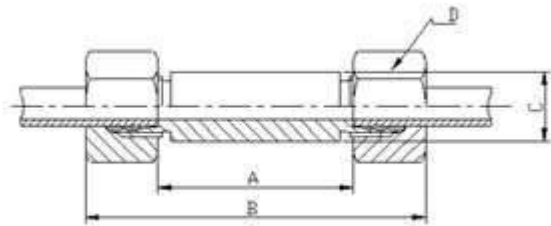
Progressive Cutting Rings



Part No	Description	Price
DPR 06L/S	06 mm	
DPR 08L/S	08 mm	
DPR 10L/S	10 mm	
DPR 12L/S	12 mm	
DPR 15L	15 mm	
DPR 18L	18 mm	
DPR 22L	22 mm	
DPR 28L	28 mm	
DPR 35L	35 mm	
DPR 42L	42 mm	
DPR 14S	14 mm	
DPR 16S	16 mm	
DPR 20S	20 mm	
DPR 25S	25 mm	
DPR 30S	30 mm	
DPR 38S	38 mm	

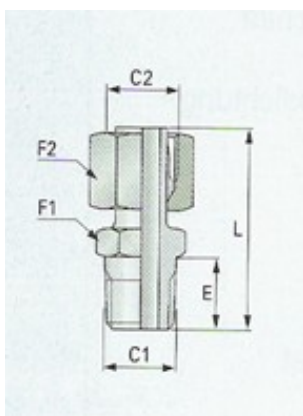
STEEL FITTINGS

Weld Bulkheads



Part No	Description	Price
ESV 06L	06 mm	
ESV 08L	08 mm	
ESV 10L	10 mm	
ESV 12L	12 mm	
ESV 15L	15 mm	
ESV 18L	18 mm	
ESV 22L	22 mm	
ESV 28L	28 mm	
ESV 35L	35 mm	
ESV 42L	42 mm	
ESV 06S	06 mm	
ESV 08S	08 mm	
ESV 10S	10 mm	
ESV 12S	12 mm	
ESV 14S	14 mm	
ESV 16S	16 mm	
ESV 20S	20 mm	
ESV 25S	25 mm	
ESV 30S	30 mm	
ESV 38S	38 mm	

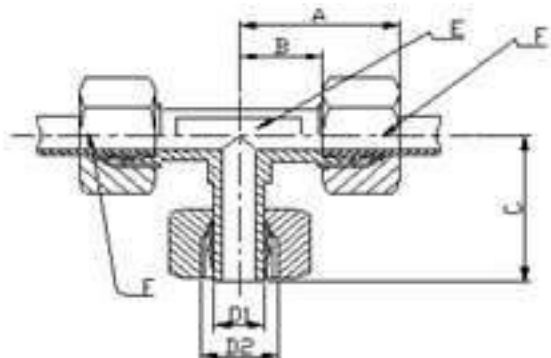
Male Stud Standpipes Bsp



Part No	Description	Price
EVGE06LR-ED	06 mm x 1/8"	
EVGE08LR-ED	08 mm x 1/4"	
EVGE10LR-ED	10 mm x 1/4"	
EVGE12LR-ED	12 mm x 3/8"	
EVGE15LR-ED	15 mm x 1/2"	
EVGE18LR-ED	18 mm x 1/2"	
EVGE22LR-ED	22 mm x 3/4"	
EVGE28LR-ED	28 mm x 1"	
EVGE35LR-ED	35 mm x 1 1/4"	
EVGE42LR-ED	42 mm x 1 1/2"	
EVGE06SR-ED	06 mm x 1/4"	
EVGE08SR-ED	08 mm x 1/4"	
EVGE10SR-ED	10 mm x 3/8"	
EVGE12SR-ED	12 mm x 3/8"	
EVGE14SR-ED	14 mm x 1/2"	
EVGE16SR-ED	16 mm x 1/2"	
EVGE20SR-ED	20 mm x 3/4"	
EVGE25SR-ED	25 mm x 1"	
EVGE30SR-ED	30 mm x 1 1/4"	
EVGE38SR-ED	38 mm x 1 1/2"	

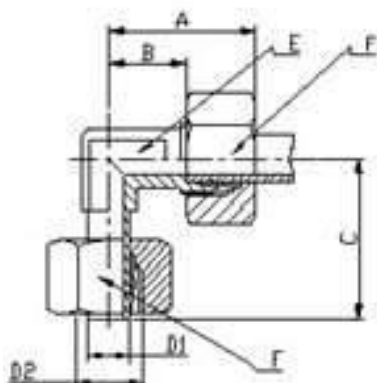
STEEL FITTINGS

Standpipe Branch Tees



Part No	Description	Price
EVT 06L	06 mm	R63.25
EVT 08L	08 mm	
EVT 10L	10 mm	
EVT 12L	12 mm	
EVT 15L	15 mm	
EVT 18L	18 mm	
EVT 22L	22 mm	
EVT 28L	28 mm	
EVT 35L	35 mm	
EVT 42L	42 mm	
EVT 06S	06 mm	
EVT 08S	08 mm	
EVT 10S	10 mm	
EVT 12S	12 mm	
EVT 14S	14 mm	
EVT 16S	16 mm	
EVT 20S	20 mm	
EVT 25S	25 mm	
EVT 30S	30 mm	
EVT 38S	38 mm	

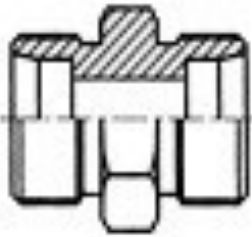
Standpipe Elbows



Part No	Description	Price
EVW 06L	06 mm	R40.69
EVW 08L	08 mm	
EVW 10L	10 mm	
EVW 12L	12 mm	
EVW 15L	15 mm	
EVW 18L	18 mm	
EVW 22L	22 mm	
EVW 28L	28 mm	
EVW 35L	35 mm	
EVW 42L	42 mm	
EVW 06S	06 mm	
EVW 08S	08 mm	
EVW 10S	10 mm	
EVW 12S	12 mm	
EVW 14S	14 mm	
EVW 16S	16 mm	
EVW 20S	20 mm	
EVW 25S	25 mm	
EVW 30S	30 mm	
EVW 38S	38 mm	

STEEL FITTINGS

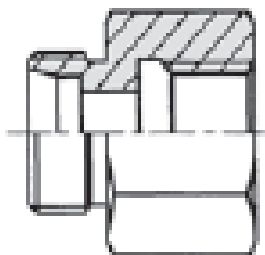
Straight Connectors



Part No	Description	Price
G 04LL	04 mm	
G 06LL	06 mm	
G 08LL	08 mm	
G 16LL	16 mm	
G 06L	06 mm	
G 08L	08 mm	
G 10L	10 mm	
G 12L	12 mm	
G 15L	15 mm	
G 18L	18 mm	
G 22L	22 mm	
G 28L	28 mm	
G 35L	35 mm	
G 42L	42 mm	
G 06S	06 mm	
G 08S	08 mm	
G 10S	10 mm	
G 12S	12 mm	
G 14S	14 mm	
G 16S	16 mm	
G 20S	20 mm	
G 25S	25 mm	
G 30S	30 mm	
G 38S	38 mm	

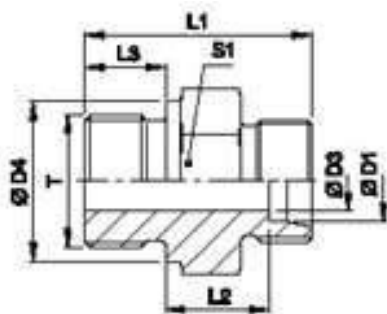
STEEL FITTINGS

Female Stud Coupling



Part No	Description	Price
GAI 06LR	06 mm	
GAI 08LR	08 mm	
GAI 10LR	10 mm	
GAI 12LR	12 mm	
GAI 15LR	15 mm	
GAI 18LR	18 mm	
GAI 22LR	22 mm	
GAI 28LR	28 mm	
GAI 35LR	35 mm	
GAI 42LR	42 mm	
GAI 06SR	06 mm	
GAI 08SR	08 mm	
GAI 10SR	10 mm	
GAI 12SR	12 mm	
GAI 14SR	14 mm	
GAI 16SR	16 mm	
GAI 20SR	20 mm	
GAI 25SR	25 mm	
GAI 30SR	30 mm	
GAI 38SR	38 mm	

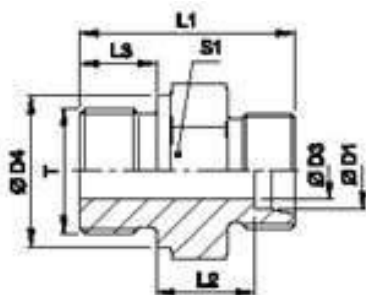
Male Stud Couplings Npt L Series



Part No	Description	Price
GE04LL	04mmx1/8" NPT	
GE06LL	06mmx1/8" NPT	
GE08LL	08mmx1/8" NPT	
GE06L	06mmx1/8" NPT	
GE06L1/4	06mmx1/4" NPT	
GE08L1/8	08mmx1/8" NPT	
GE08L	08mmx1/4" NPT	
GE10L	10mmx1/4" NPT	
GE10L3/8	10mmx3/8" NPT	
GE10L1/2	10mmx1/2" NPT	
GE12L1/4	12mmx1/4" NPT	
GE12L	12mmx3/8" NPT	
GE12L1/2	12mmx1/2" NPT	
GE15L3/8	15mmx3/8" NPT	
GE15L	15mmx1/2" NPT	
GE18L	18mmx1/2" NPT	
GE22L1/2	22mmx1/2" NPT	
GE22L	22mmx3/4" NPT	
GE28L	28mmx1" NPT	
GE35L	35mmx1 1/4"NPT	
GE42L	42mmx1 1/2"NPT	

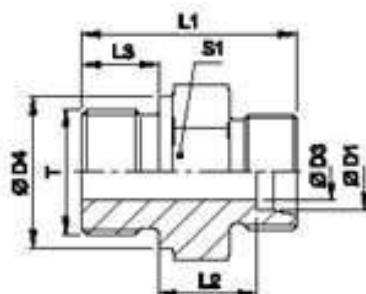
STEEL FITTINGS

Male Stud Couplings Npt S Series



Part No	Description	Price
GE06S	06mmx1/4" NPT	
GE08S	08mmx1/4" NPT	
GE10S1/4	10mmx1/4" NPT	
GE10S	10mmx3/8" NPT	
GE12S1/4	12mmx1/4" NPT	
GE12S	12mmx3/8" NPT	
GE12S1/2	12mmx1/2" NPT	
GE14S	14mmx1/2" NPT	
GE16S	16mmx1/2" NPT	
GE20S1/2	20mmx1/2" NPT	
GE20S	20mmx3/4" NPT	
GE20S1	20mmx1" NPT	
GE25S3/4	25mmx3/4" NPT	
GE25S	25mmx1" NPT	
GE30S3/4	30mmx3/4" NPT	
GE30S	30mmx1 1/4"NPT	
GE30S1 1/2	30mmx1 1/2"NPT	
GE38S 1	38mmx1" NPT	
GE38S1 1/4	38mmx1 1/4"NPT	
GE38S	38mmx1 1/2"NPT	

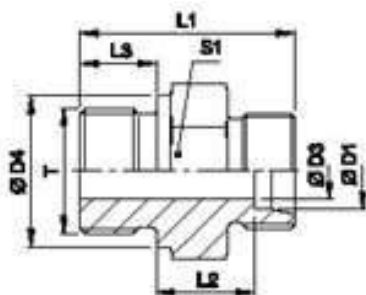
Male Stud Couplings Bsp L Series



Part No	Description	Price
GE06LR	06 mm x 1/8"	
GE06LR1/4	06 mm x 1/4"	
GE08LR1/8	08 mm x 1/8"	
GE08LR	08 mm x 1/4"	
GE08LR3/8	08 mm x 3/8"	
GE10LR1/4	10 mm x 1/4"	
GE10LR3/8	10 mm x 3/8"	
GE10LR1/2	10 mm x 1/2"	
GE12LR1/4	12 mm x 1/4"	
GE12LR	12 mm x 3/8"	
GE12LR1/2	12 mm x 1/2"	
GE15LR3/8	15 mm x 3/8"	
GE15LR	15 mm x 1/2"	
GE18LR	18 mm x 1/2"	
GE18LR3/4	18 mm x 3/4"	
GE22LR1/2	22 mm x 1/2"	
GE22LR	22 mm x 3/4"	
GE28LR3/4	28 mm x 3/4"	
GE28LR	28 mm x 1"	
GE35LR	35 mm x 1 1/4"	
GE42LR	42 mm x 1 1/2"	

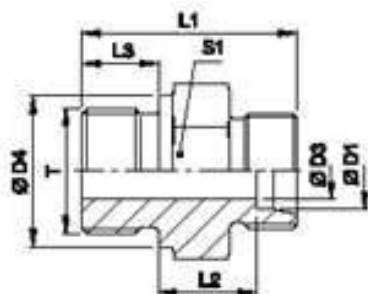
STEEL FITTINGS

Male Stud Couplings Bsp S Series



Part No	Description	Price
GE06SR	06 mm x 1/4"	
GE08SR	08 mm x 1/4"	
GE10SR1/4	10 mm x 1/4"	
GE10SR	10 mm x 3/8"	
GE10SR1/2	10 mm x 1/2"	
GE12SR1/4	12 mm x 1/4"	
GE12SR	12 mm x 3/8"	
GE12SR1/2	12 mm x 1/2"	
GE14SR	14 mm x 1/2"	
GE16SR3/8	16 mm x 3/8"	
GE16SR	16 mm x 1/2"	
GE16SR3/4	16 mm x 3/4"	
GE20SR1/2	20 mm x 1/2"	
GE20SR	20 mm x 3/4"	
GE20SR 1	20 mm x 1"	
GE25SR3/4	25 mm x 3/4"	
GE25SR	25 mm x 1"	
GE30SR	30 mm x 1 1/4"	
GE38SR11/4	38 mm x 1 1/4"	
GE38SR	38 mm x 1 1/2"	

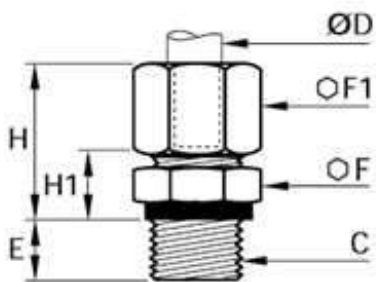
Male Stud Couplings Bsp



Part No	Description	Price
GE06LR-ED	06mmx1/8"	
GE08LR-ED	08mmx1/4"	
GE10LR-ED	10mmx1/4"	
GE12LR-ED	12mmx3/8"	
GE15LR-ED	15mmx1/2"	
GE18LR-ED	18mmx1/2"	
GE22LR-ED	22mmx3/4"	
GE28LR-ED	28mmx1"	
GE35LR-ED	35mmx1 1/4"	
GE42LR-ED	42mmx1 1/2"	
GE06SR-ED	06mmx1/4"	
GE08SR-ED	08mmx1/4"	
GE10SR-ED	10mmx3/8"	
GE12SR-ED	12mmx3/8"	
GE14SR-ED	14mmx1/2"	
GE16SR-ED	16mmx1/2"	
GE20SR-ED	20mmx3/4"	
GE25SR-ED	25mmx1"	
GE30SR-ED	30mmx1 1/4"	
GE38SR-ED	38mmx1 1/2"	

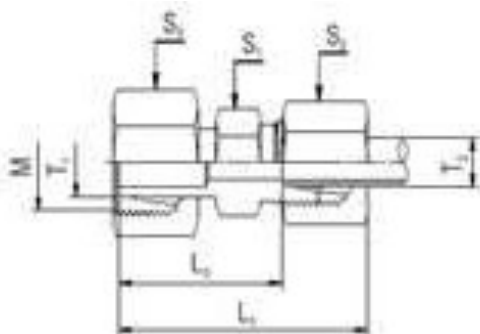
STEEL FITTINGS

Male Stud Couplings Metric



Part No	Description	Price
GE 06LM-ED	06mm x M10x1	
GE 08LM-ED	08mm x M12x1.5	
GE 10LM-ED	10mm x M14x1.5	
GE 12LM-ED	12mm x M16x1.5	
GE 15LM-ED	15mm x M18x1.5	
GE 18LM-ED	18mm x M22x1.5	
GE 22LM-ED	22mm x M26x1.5	
GE 28LM-ED	28mm x M33x2	
GE 35LM-ED	35mm x M42x2	
GE 42LM-ED	42mm x M48x2	
GE 06SM-ED	06mm x M12x1.5	
GE 08SM-ED	08mm x M14x1.5	
GE 10SM-ED	10mm x M16x1.5	
GE 12SM-ED	12mm x M18x1.5	
GE 14SM-ED	14mm x M20x1.5	
GE 16SM-ED	16mm x M22x1.5	
GE 20SM-ED	20mm x M27x2	
GE 25SM-ED	25mm x M33x2	
GE 30SM-ED	30mm x M42x2	
GE 38SM-ED	38mm x M48x2	

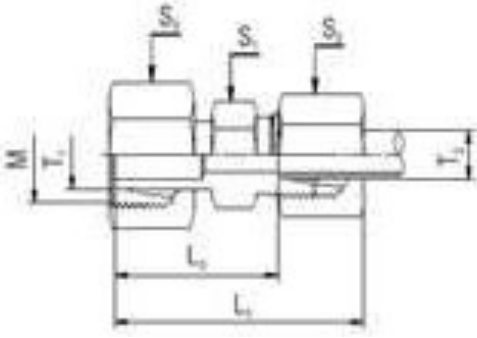
Straight Reducing Couplers L Series



Part No	Description	Price
GR 06/04LL	06/04 mm	
GR 08/04LL	08/04 mm	
GR 08/06LL	08/06 mm	
GR 08/06L	08/06 mm	
GR 10/06L	10/06 mm	
GR 10/08L	10/08 mm	
GR 12/06L	12/06 mm	
GR 12/08L	12/08 mm	
GR 12/10L	12/10 mm	
GR 15/06L	15/06 mm	
GR 15/08L	15/08 mm	
GR 15/10L	15/10 mm	
GR 15/12L	15/12 mm	
GR 18/08L	18/08 mm	
GR 18/10L	18/10 mm	
GR 18/12L	18/12 mm	
GR 18/15L	18/15 mm	
GR 22/12L	22/15 mm	
GR 22/15L	22/15 mm	
GR 22/18L	22/18 mm	
GR 28/15L	28/15 mm	
GR 28/18L	28/18 mm	
GR 28/22L	28/22 mm	
GR 35/22L	35/22 mm	
GR 35/28L	35/28 mm	

STEEL FITTINGS

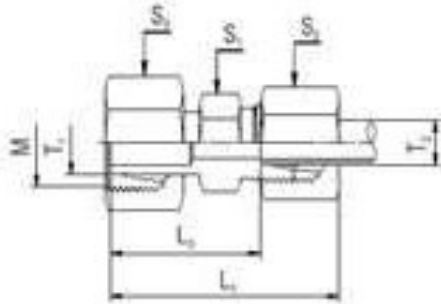
Straight Reducing Couplers S Series



Part No	Description	Price
GR 08/06S	08/06 mm	
GR 10/06S	10/06 mm	
GR 10/08S	10/08 mm	
GR 12/06S	12/06 mm	
GR 12/08S	12/08 mm	
GR 12/10S	12/10 mm	
GR 14/10S	14/10 mm	
GR 14/12S	14/12 mm	
GR 16/10S	16/10 mm	
GR 16/12S	16/12 mm	
GR 16/14S	16/14 mm	
GR 20/10S	20/10 mm	
GR 20/12S	20/12 mm	
GR 20/16S	20/16 mm	
GR 25/16S	25/16 mm	
GR 25/20S	25/20 mm	
GR 30/20S	30/20 mm	
GR 30/25S	30/25 mm	
GR 38/30S	38/30 mm	

STEEL FITTINGS

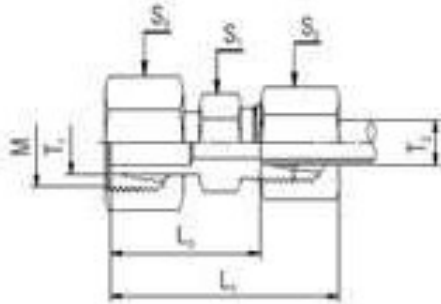
Standpipe Reducer L Series



Part No	Description	Price
KOR 08/06L	08 - 06 mm	
KOR 10/06L	10 - 06 mm	
KOR 10/08L	10 - 08 mm	
KOR 12/06L	10 - 06 mm	
KOR 12/08L	12 - 08 mm	
KOR 12/10L	12 - 10 mm	
KOR 15/06L	15 - 06 mm	
KOR 15/08L	15 - 08 mm	
KOR 15/10L	15 - 10 mm	
KOR 15/12L	15 - 12 mm	
KOR 18/06L	18 - 06 mm	
KOR 18/08L	18 - 08 mm	
KOR 18/10L	18 - 10 mm	
KOR 18/12L	18 - 12 mm	
KOR 18/15L	18 - 15 mm	
KOR 22/06L	22 - 06 mm	
KOR 22/08L	22 - 08 mm	
KOR 22/10L	22 - 10 mm	
KOR 22/12L	22 - 12 mm	
KOR 22/15L	22 - 15 mm	
KOR 22/18L	22 - 18 mm	
KOR 28/06L	28 - 06 mm	
KOR 28/08L	28 - 08 mm	
KOR 28/10L	28 - 10 mm	
KOR 28/12L	28 - 12 mm	
KOR 28/15L	28 - 15 mm	
KOR 28/18L	28 - 18 mm	
KOR 28/22L	28 - 22 mm	
KOR 35/06L	35 - 06 mm	
KOR 35/08L	35 - 08 mm	
KOR 35/10L	35 - 10 mm	
KOR 35/12L	35 - 12 mm	
KOR 35/15L	35 - 15 mm	
KOR 35/18L	35 - 18 mm	
KOR 35/22L	35 - 22 mm	
KOR 35/28L	35 - 28 mm	
KOR 42/06L	42 - 06 mm	
KOR 42/08L	42 - 08 mm	
KOR 42/10L	42 - 10 mm	
KOR 42/12L	42 - 12 mm	
KOR 42/15L	42 - 15 mm	
KOR 42/18L	42 - 18 mm	
KOR 42/22L	42 - 22 mm	
KOR 42/28L	42 - 28 mm	
KOR 42/35L	42 - 35 mm	

STEEL FITTINGS

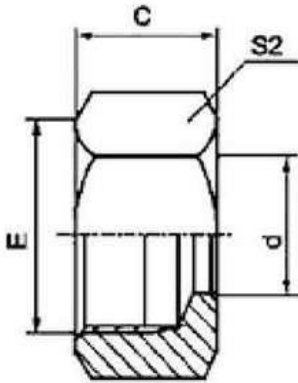
Standpipe Reducer L Series



Part No	Description	Price
KOR 08/06S	08 - 06mm	
KOR 10/06S	10 - 06mm	
KOR 10/08S	10 - 08mm	
KOR 12/06S	12 - 06mm	
KOR 12/08S	12 - 08mm	
KOR 12/10S	12 - 10mm	
KOR 14/06S	14 - 06mm	
KOR 14/08S	14 - 08mm	
KOR 14/10S	14 - 10mm	
KOR 14/12S	14 - 12mm	
KOR 16/06S	16 - 06mm	
KOR 16/08S	16 - 08mm	
KOR 16/10S	16 - 10mm	
KOR 16/12S	16 - 12mm	
KOR 16/14S	16 - 14mm	
KOR 20/06S	20 - 06mm	
KOR 20/08S	20 - 08mm	
KOR 20/10S	20 - 10mm	
KOR 20/12S	20 - 12mm	
KOR 20/14S	20 - 14mm	
KOR 20/16S	20 - 16mm	
KOR 25/06S	25 - 06mm	
KOR 25/08S	25 - 08mm	
KOR 25/10S	25 - 10mm	
KOR 25/12S	25 - 12mm	
KOR 25/14S	25 - 14mm	
KOR 25/16S	25 - 16mm	
KOR 25/20S	25 - 20mm	
KOR 30/06S	30 - 06mm	
KOR 30/08S	30 - 08mm	
KOR 30/10S	30 - 10mm	
KOR 30/12S	30 - 12mm	
KOR 30/16S	30 - 16mm	
KOR 30/20S	30 - 20mm	
KOR 30/25S	30 - 25mm	
KOR 38/06S	38 - 06mm	
KOR 38/08S	38 - 08mm	
KOR 38/10S	38 - 10mm	
KOR 38/14S	38 - 14mm	
KOR 38/16S	38 - 16mm	
KOR 38/20S	38 - 20mm	
KOR 38/25S	38 - 25mm	
KOR 38/30S	38 - 30mm	

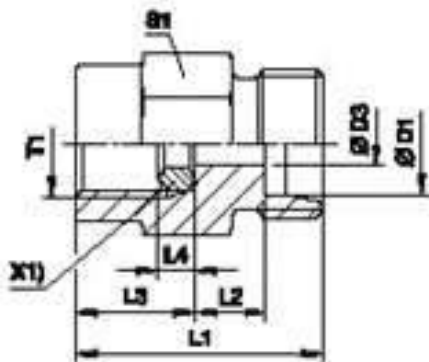
STEEL FITTINGS

Retaining Nuts



Part No	Description	Price
M 04LL	04 mm x M08 x 1	
M 06LL	06 mm x M10 x 1	
M 08LL	08 mm x M12 x 1	
M 16LL	16 mm x M20 x1.5	
M 06L	06 mm x M12 x 1.5	
M 08L	08 mm x M14 x 1.5	
M 10L	10 mm x M16 x 1.5	
M 12L	12 mm x M18 x 1.5	
M 15L	15 mm x M22 x 1.5	
M 18L	18 mm x M26 x 1.5	
M 22L	22 mm x M30 x 2	
M 28L	28 mm x M36 x 2	
M 35L	35 mm x M45 x 2	
M 42L	42 mm x M52 x 2	
M 06S	06 mm x M12 x 1.5	
M 08S	08 mm x M14 x 1.5	
M 10S	10 mm x M16 x 1.5	
M 12S	12 mm x M18 x 1.5	
M 14S	14 mm x M22 x 1.5	
M 16S	16 mm x M24 x 1.5	
M 20S	20 mm x M30 x 2	
M 25S	25 mm x M36 x 2	
M 30S	30 mm x M42 x 2	
M 38S	38 mm x M52 x 2	

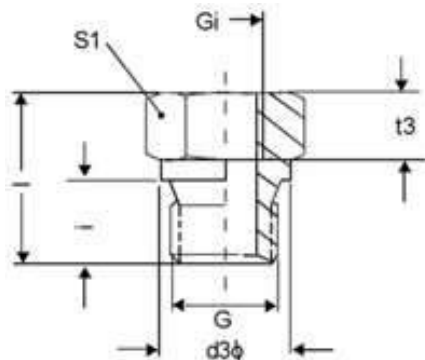
Pressure Gauge Connectors



Part No	Description	Price
MAV 06LR	06mmx1/4"	
MAV 08LR	08mmx1/4"	
MAV 10LR	10mmx1/4"	
MAV 12LR	12mmx1/4"	
MAV 06SR	06mmx1/2"	
MAV 08SR	08mmx1/2"	
MAV 10SR	10mmx1/2"	
MAV 12SR	12mmx1/2"	
MAV-EV06LR	06mmx1/4"	
MAV-EV08LR	08mmx1/4"	
MAV-EV10LR	10mmx1/4"	
MAV-EV12LR	12mmx1/4"	
MAV-EV06SR	06mmx1/2"	
MAV-EV08SR	08mmx1/2"	
MAV-EV10SR	10mmx1/2"	
MAV-EV12SR	12mmx1/2"	

STEEL FITTINGS

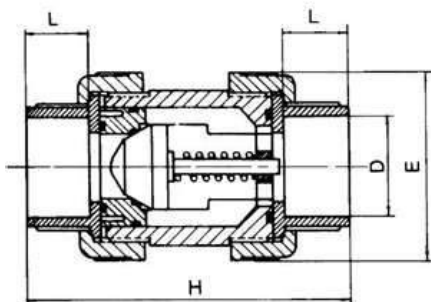
**Male/Female Thread Reducing
Adaptors**



Part No	Description	Price
RI1/8"x1/4"	1/8 - 1/4	
RI1/8"x3/8"	1/8 - 3/8	
RI1/4"x1/8"	1/4 - 1/8	
RI1/4"x3/8"	1/4 - 3/8	
RI1/4"x1/2"	1/4 - 1/2	
RI1/4"x3/4"	1/4 - 3/4	
RI3/8"x1/8"	3/8 - 1/8	
RI3/8"x1/4"	3/8 - 1/4	
RI3/8"x1/2"	3/8 - 1/2	
RI3/8"x3/4"	3/8 - 3/4	
RI1/2"x1/8"	1/2 - 1/8	
RI1/2"x1/4"	1/2 - 1/4	
RI1/2"x3/8"	1/2 - 3/8	
RI1/2"x3/4"	1/2 - 3/4	
RI1/2"x1"	1/2 - 1	
RI1/2"x1 1/4"	1/2 - 1 1/4	
RI3/4"x1/4"	3/4 - 1/4	
RI3/4"x3/8"	3/4 - 3/8	
RI3/4"x1/2"	3/4 - 1/2	
RI3/4"x1"	3/4 - 1	
RI3/4"x1 1/4"	3/4 - 1 1/4	
RI3/4"x1 1/2"	3/4 - 1 1/2	
RI1"x1/4"	1 - 1/4	
RI1"x3/8"	1 - 3/8	
RI1"x1/2"	1 - 1/2	
RI1"x3/4"	1 - 3/4	
RI1"x1 1/4"	1 - 1 1/4	
RI1"x1 1/2"	1 - 1 1/2	
RI1 1/4"x1/2"	1 1/4 - 1/2	
RI1 1/4"x3/4"	1 1/4 - 3/4	
RI1 1/4"x1"	1 1/4 - 1	
RI1 1/4"x1 1/2"	1 1/4 - 1 1/2	
RI1 1/2"x1/2"	1 1/2 - 1/2	
RI1 1/2"x3/4"	1 1/2 - 3/4	
RI1 1/2"x1"	1 1/2 - 1	
RI1 1/2"x1 1/4"	1 1/2 - 1 1/4	

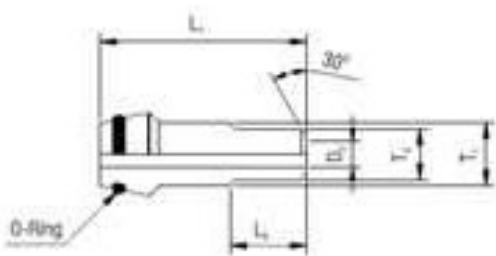
STEEL FITTINGS

Non-Return Valves



Part No	Description	Price
RHD 06L	06 mm	
RHD 08L	08 mm	
RHD 10L	10 mm	
RHD 12L	12 mm	
RHD 15L	15 mm	
RHD 18L	18 mm	
RHD 22L	22 mm	
RHD 28L	28 mm	
RHD 35L	35 mm	
RHD 42L	42 mm	
RHD 06S	06 mm	
RHD 08S	08 mm	
RHD 10S	10 mm	
RHD 12S	12 mm	
RHD 14S	14 mm	
RHD 16S	16 mm	
RHD 20S	20 mm	
RHD 25S	25 mm	
RHD 30S	30 mm	
RHD 38S	38 mm	

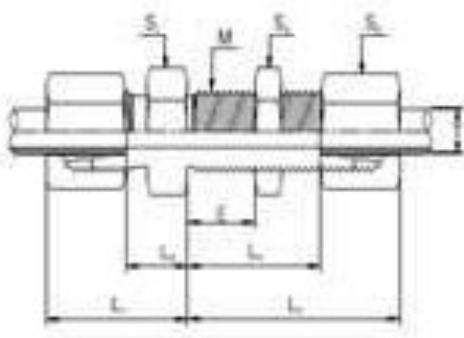
Weld Nipples O' Rings



Part No	Description	Price
SKO 06	06 mm	
SKO 08	08 mm	
SKO 10	10 mm	
SKO 12	12 mm	
SKO 14	14 mm	
SKO 16	16 mm	
SKO 20	20 mm	
SKO 22	22 mm	
SKO 25	25 mm	
SKO 28	28 mm	
SKO 30	30 mm	
SKO 35	35 mm	
SKO 38	38 mm	
SKO 42	42 mm	

STEEL FITTINGS

Bulkhead Straight Couplings



Part No	Description	Price
SV 06L	06 mm	
SV 08L	08 mm	
SV 10L	10 mm	
SV 12L	12 mm	
SV 15L	15 mm	
SV 18L	18 mm	
SV 22L	22 mm	
SV 28L	28 mm	
SV 35L	35 mm	
SV 42L	42 mm	
SV 06S	06 mm	
SV 08S	08 mm	
SV 10S	10 mm	
SV 12S	12 mm	
SV 14S	14 mm	
SV 16S	16 mm	
SV 20S	20 mm	
SV 25S	25 mm	
SV 30S	30 mm	
SV 38S	38 mm	

Equal Tees

Part No	Description	Price
T 04LL	04 mm	
T 06LL	06 mm	
T 08LL	08 mm	
T 06L	06 mm	
T 08L	08 mm	
T 10L	10 mm	
T 12L	12 mm	
T 15L	15 mm	
T 18L	18 mm	
T 22L	22 mm	
T 28L	28 mm	
T 35L	35 mm	
T 42L	42 mm	
T 06S	06 mm	
T 08S	08 mm	
T 10S	10 mm	
T 12S	12 mm	
T 14S	14 mm	
T 16S	16 mm	
T 20S	20 mm	
T 25S	25 mm	
T 30S	30 mm	
T 38S	38 mm	

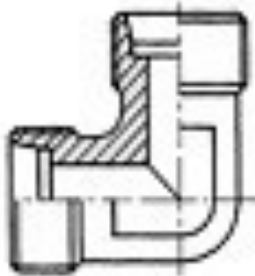
STEEL FITTINGS

Socket Head Port Plugs Allen Key



Part No	Description	Price
VSTI10x1-ED	M10 x 1.0	
VSTI12x1.5-ED	M12 x 1.5	
VSTI14x1.5-ED	M14 x 1.5	
VSTI16x1.5-ED	M16 x 1.5	
VSTI18x1.5-ED	M18 x 1.5	
VSTI20x1.5-ED	M20 x 1.5	
VSTI22x1.5-ED	M22 x 1.5	
VSTI26x1.5-ED	M26 x 1.5	
VSTI27x2-ED	M27 x 2.0	
VSTI33x2-ED	M33 x 2.0	
VSTI42x2-ED	M42 x 2.0	
VSTI48x2-ED	M48 x 2.0	
VSTI1/8"-ED	1/8	
VSTI1/4"-ED	1/4	
VSTI3/8"-ED	3/8	
VSTI1/2"-ED	1/2	
VSTI3/4"-ED	3/4	
VSTI1"-ED	1	
VSTI1 1/4"-ED	1 1/4	
VSTI1 1/2"-ED	1 1/2	

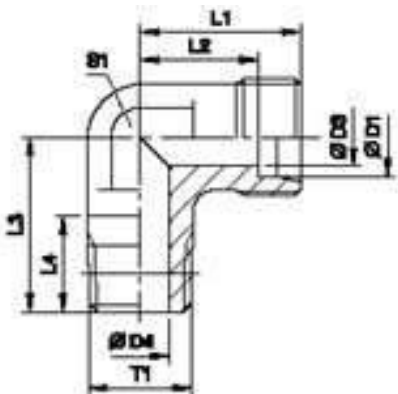
Elbow Connectors



Part No	Description	Price
W 04LL	04mm	
W 06LL	06mm	
W 08LL	08mm	
W 06L	06mm	
W 08L	08mm	
W 10L	10mm	
W 12L	12mm	
W 15L	15mm	
W 18L	18mm	
W 22L	22mm	
W 28L	28mm	
W 35L	35mm	
W 42L	42mm	
W 06S	06mm	
W 08S	08mm	
W 10S	10mm	
W 12S	12mm	
W 14S	14mm	
W 16S	16mm	
W 20S	20mm	
W 25S	25mm	
W 30S	30mm	
W 38S	38mm	

STEEL FITTINGS

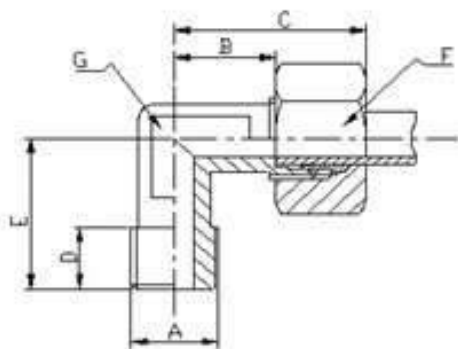
Male Stud Elbows Npt



Part No	Description	Price
WE 04LL	04 mm x 1/8"	
WE 06LL	06 mm x 1/8"	
WE 08LL	08 mm x 1/8"	
WE 06L	06 mm x 1/8"	
WE 06L1/4	06 mm x 1/4"	
WE 08L	08 mm x 1/4"	
WE 10L	10 mm x 1/4"	
WE 12L1/4	12 mm x 1/4"	
WE 12L	12 mm x 3/8"	
WE 12L1/2	12 mm x 1/2"	
WE 15L	15 mm x 1/2"	
WE 18L	18 mm x 1/2"	
WE 22L	22 mm x 3/4"	
WE 28L	28 mm x 1"	
WE 35L	35 mm x 1 1/4"	
WE 42L	42 mm x 1 1/2"	
WE 06S	6mm x 1/4"	
WE 08S	8mm x 1/4"	
WE 10S	10mm x 3/8"	
WE 12S	12mm x 3/8"	
WE 14S	14mm x 1/2"	
WE 16S	16mm x 1/2"	
WE 20S	20mm x 3/4"	
WE 25S	25mm x 1"	
WE 30S	30mm x 1 1/4"	
WE 38S	38mm x 1 1/2"	

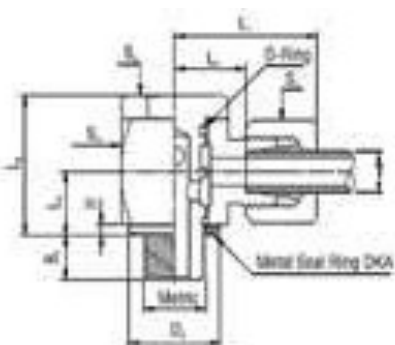
STEEL FITTINGS

Male Stud Elbows



Part No	Description	Price
WE 04LLR	04 mm x 1/8"	
WE 06LLR	06 mm x 1/8"	
WE 08LLR	08 mm x 1/8"	
WE 06LR1/8	06 mm x 1/8"	
WE 08LR1/4	08 mm x 1/4"	
WE 10LR	10 mm x 1/4"	
WE 12LR3/8	12 mm x 3/8"	
WE 15LR	15 mm x 1/2"	
WE 18LR	18 mm x 1/2"	
WE 22LR	22 mm x 3/4"	
WE 28LR	28 mm x 1"	
WE 35LR	35 mm x 1 1/4"	
WE 42LR	42 mm x 1 1/2"	
WE 06SR	06 mm x 1/4"	
WE 08SR	08 mm x 1/4"	
WE 10SR	10 mm x 3/8"	
WE 12SR	12 mm x 3/8"	
WE 14SR	14 mm x 1/2"	
WE 16SR	16 mm x 1/2"	
WE 20SR	20 mm x 3/4"	
WE 25SR	25 mm x 1"	
WE 30SR	30 mm x 1 1/4"	
WE 38SR	38 mm x 1 1/2"	

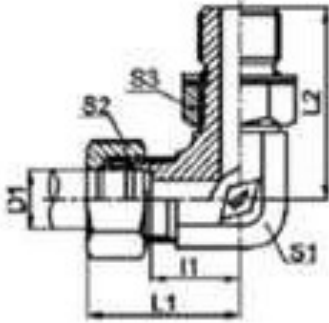
Banjo Couplings



Part No	Description	Price
WH 6LR	06 mm x 1/8"	
WH 8LR	08 mm x 1/4"	
WH 10LR	10 mm x 1/4"	
WH 12LR	12 mm x 3/8"	
WH 15LR	15 mm x 1/2"	
WH 18LR	18 mm x 1/2"	
WH 22LR	22 mm X 3/4"	
WH 6SR	06 mm x 1/4"	
WH 8SR	08 mm x 1/4"	
WH 10SR	10 mm x 3/8"	
WH 12SR	12 mm x 3/8"	
WH 14SR	14 mm x 1/2"	
WH 16SR	16 mm x 1/2"	
WH 20SR	20 mm x 3/4"	

STEEL FITTINGS

Bulkhead Elbow Couplings



Part No	Description	Price
WSV 06L	06 mm	
WSV 08L	08 mm	
WSV 10L	10 mm	
WSV 12L	12 mm	
WSV 15L	15 mm	
WSV 18L	18 mm	
WSV 22L	22 mm	
WSV 28L	28 mm	
WSV 35L	35 mm	
WSV 42L	42 mm	
WSV 06S	06 mm	
WSV 08S	08 mm	
WSV 10S	10 mm	
WSV 12S	12 mm	
WSV 14S	14 mm	
WSV 16S	16 mm	
WSV 20S	20 mm	
WSV 25S	25 mm	
WSV 30S	30 mm	
WSV 38S	38 mm	



Hydraulic Solenoid Valves

4WE Series Solenoid Directional Control Valves

Technical Specification

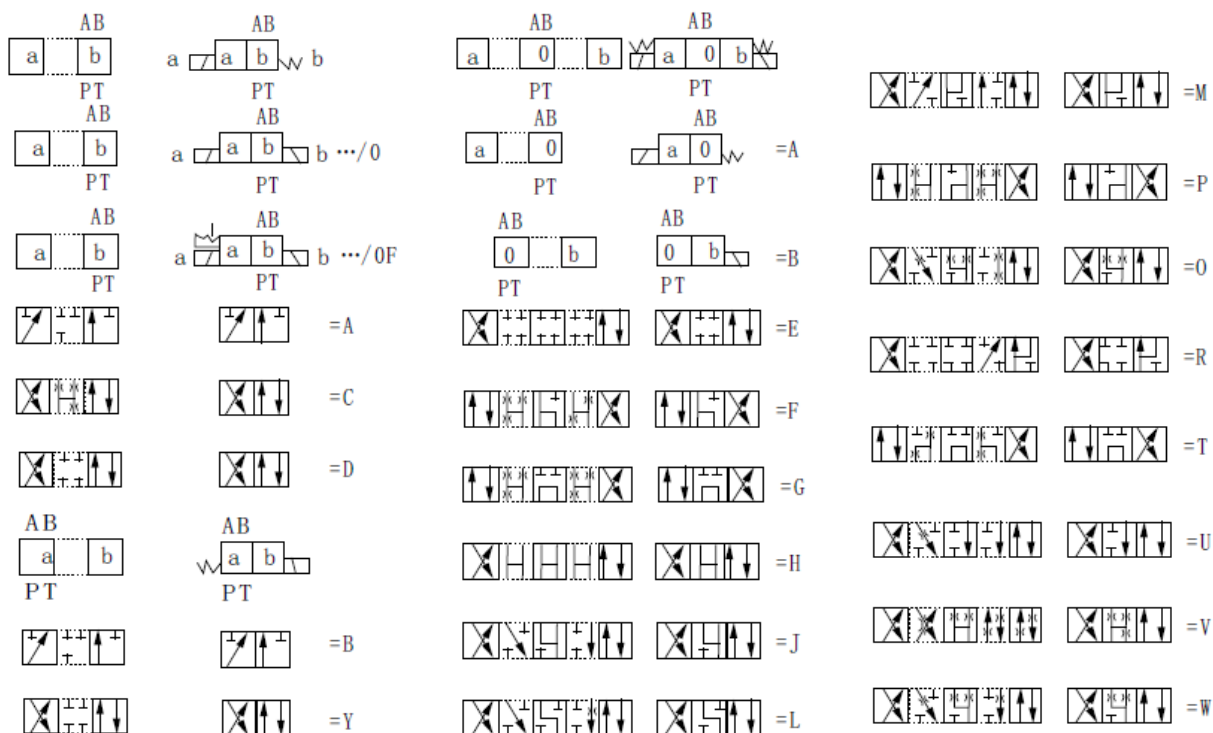


Model		4WE3	4WE4	4WE5	4WE6	4WE10
Max. Flow Rate		15	20	14	80	100
Working Pressure (Mpa)		A,B,P port 31.5	A,B,P port 31.5	A,B,P port 25	A,B,P port 31.5	A,B,P port 31.5
		T port 10	T port 10	T port 6	T port 16	T port 16
Weight (Kgs)	Single Solenoid	0.55	0.83	1	1.5	4.8
	Double Solenoids	0.7	1.1	1.4	2.2	6.1

Ordering Details

4WE	6	E	60	O	G24	N	Z4L
Sort	Nominal Size	Symbols	Series Number	Spool Return	Input Voltage	Manual Override	Connector type
4/3 and 4/2 Solenoid Operated Directional Valve	3:NG3 4:NG4 5:NG5 6:NG6 10:NG10	See Symbols List	61:WE3,4 50:WE4 60:WE5,6 30:WE10	No code: Spring Return O: Without spring return OF: Without spring return With detent.	G12:DC12 G24:DC24 W220:AC220 W110:AC110 W220R:RAC220 W110R:RAC110	No code: Without Manual override N: With manual Override	Z4: Standard Plug-in Connector Z4L: Plug-in Connector With light

Symbol List





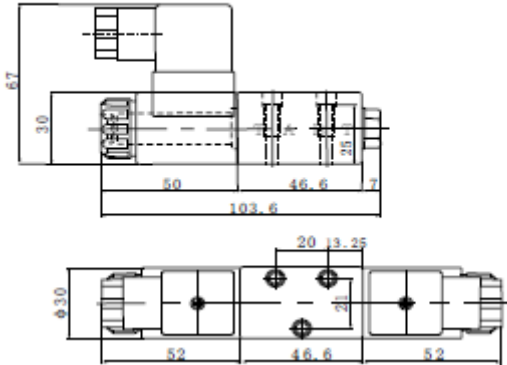
Hydraulic Solenoid Valves

4WE Series Solenoid Directional Control Valves

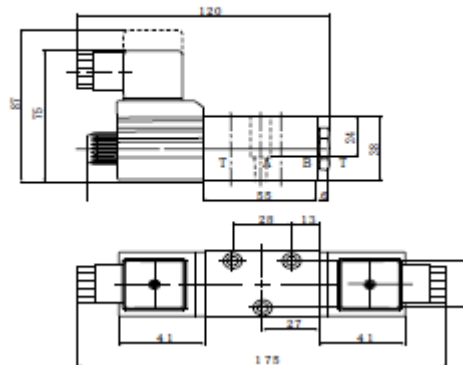
Dimensions

Unit: mm

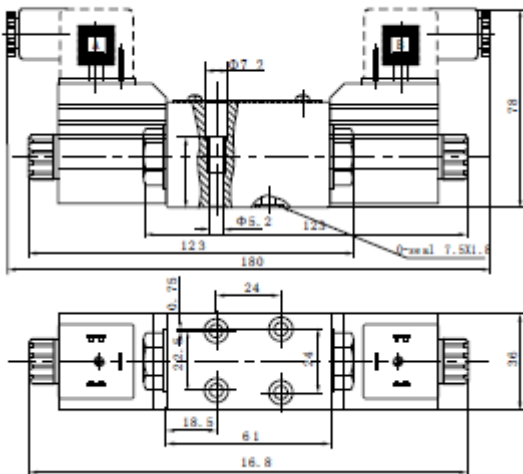
4WE3



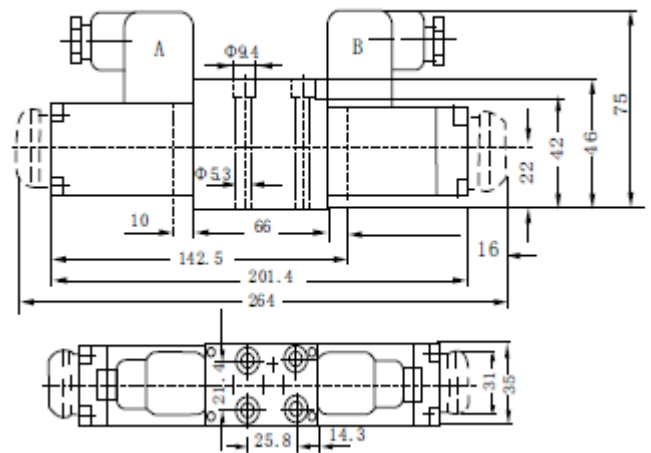
4WE4



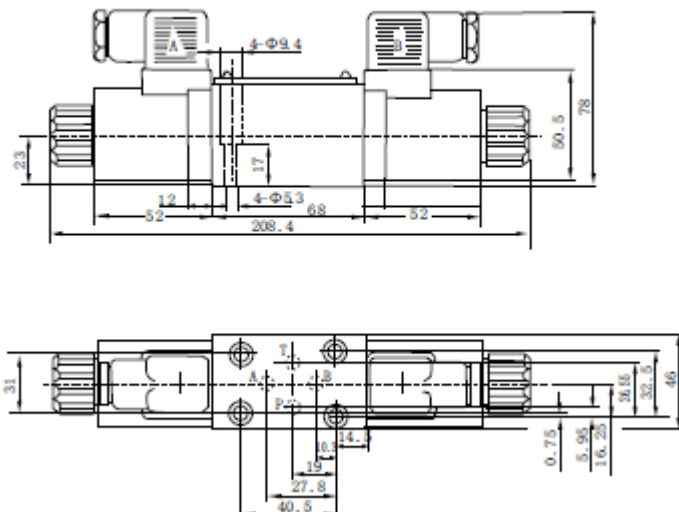
4WE4



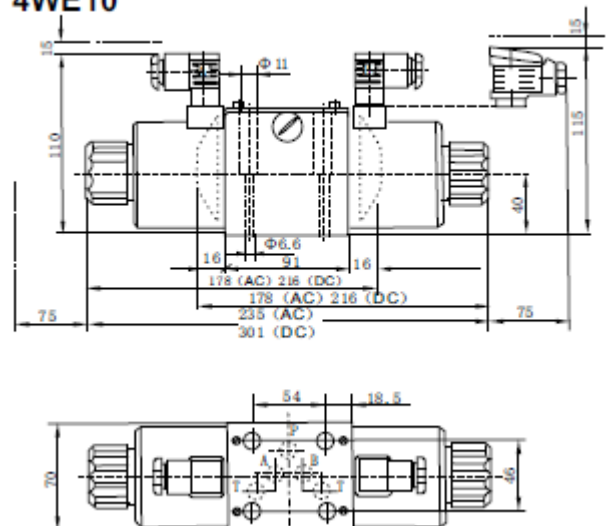
4WE5



4WE6



4WE10



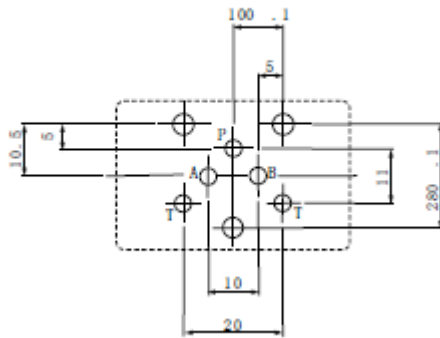
Hydraulic Solenoid Valves

4WE Series Solenoid Directional Control Valves

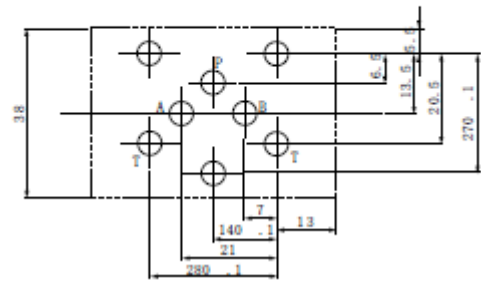
Mounting Dimensions

Unit: mm

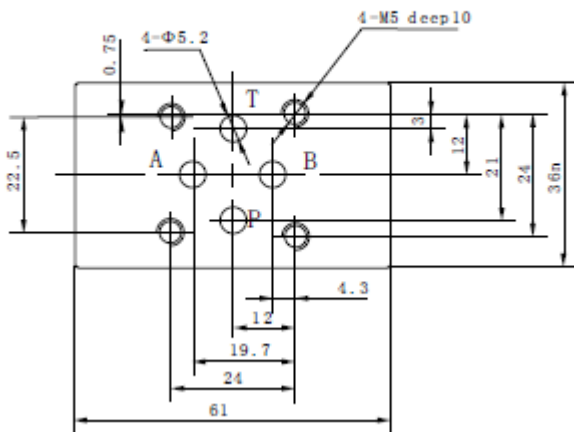
4WE3



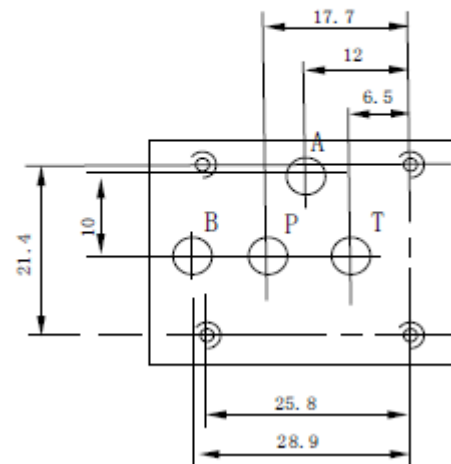
4WE4



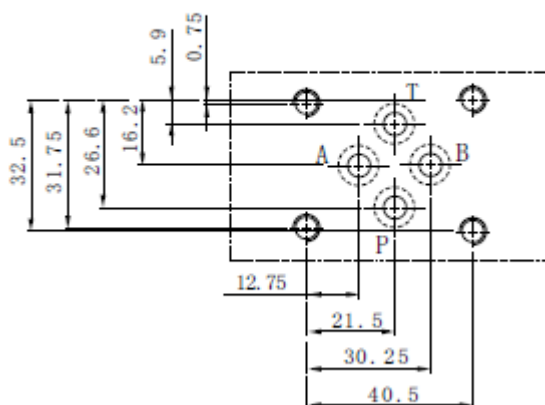
4WE4



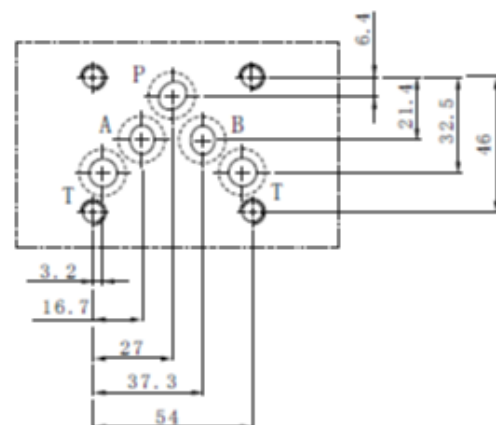
4WE5



4WE6



4WE10





Hydraulic Solenoid Valves

4WEH Series Solenoid Pilot/Hydraulic Operated Directional Control Valve

Technical Specification



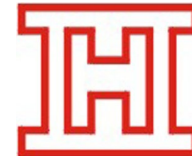
Model		4WEH10	4WEH16	4WEH25	4WEH32
Max. flow rate (l/min)		160	300	500	1100
Working Pressure (MPa)	A,B,P port	31.5			
	T port	External Drain	25		
		Internal Drain	16 (DC) 10(AC)		
Y port	External Control	16(DC) 10(AC)			
Max. operating pressure (MPa)		25			
Weight (Kgs)	Pilot valve With single solenoid	1.5			
	Pilot valve With double solenoid	2.2			
	4WEH valve	6.5	7.3	16.5	39.5

Ordering Details

4WEH	25	E	50	0	G24	N
Sort	Nominal Size	Symbols	Series Number	Pilot solenoid valve spool return	Input Voltage	Manual override
4WEH: Solenoid pilot Operated directional valve 4WH: Hydraulic Operated Directional valve	10:NG10 Cetop5 16:NG16 Cetop7 25:NG25 Cetop8 32:NG32 Cetop10	See Symbols List	20:NG10 50:NG16 NG25, NG32	No code: Spring return O: Without spring return OF: Without spring return with detent	G12:DC12 G24:DC24 W220:AC220 W110:AC110 W220R:RAC220 W110R:RAC110	No code: Without Manual override N:With manual override

ET	S	Z4L	P4.5	*
Oil Control	Shifting time adjustment	Connector Type	Pre-pressure Valve	Remark
See oil Control list	No code: Without shifting Time adjustment S: Shifting time adjustment As meter-in control S2: Shifting time adjustment As meter-out control	Z4:Standard Plug-in Connector Z4L: Plug-in Connector With light	No code: Without Pre-pressure Valve P4.5: With Pre-pressure Valve	Further requirements

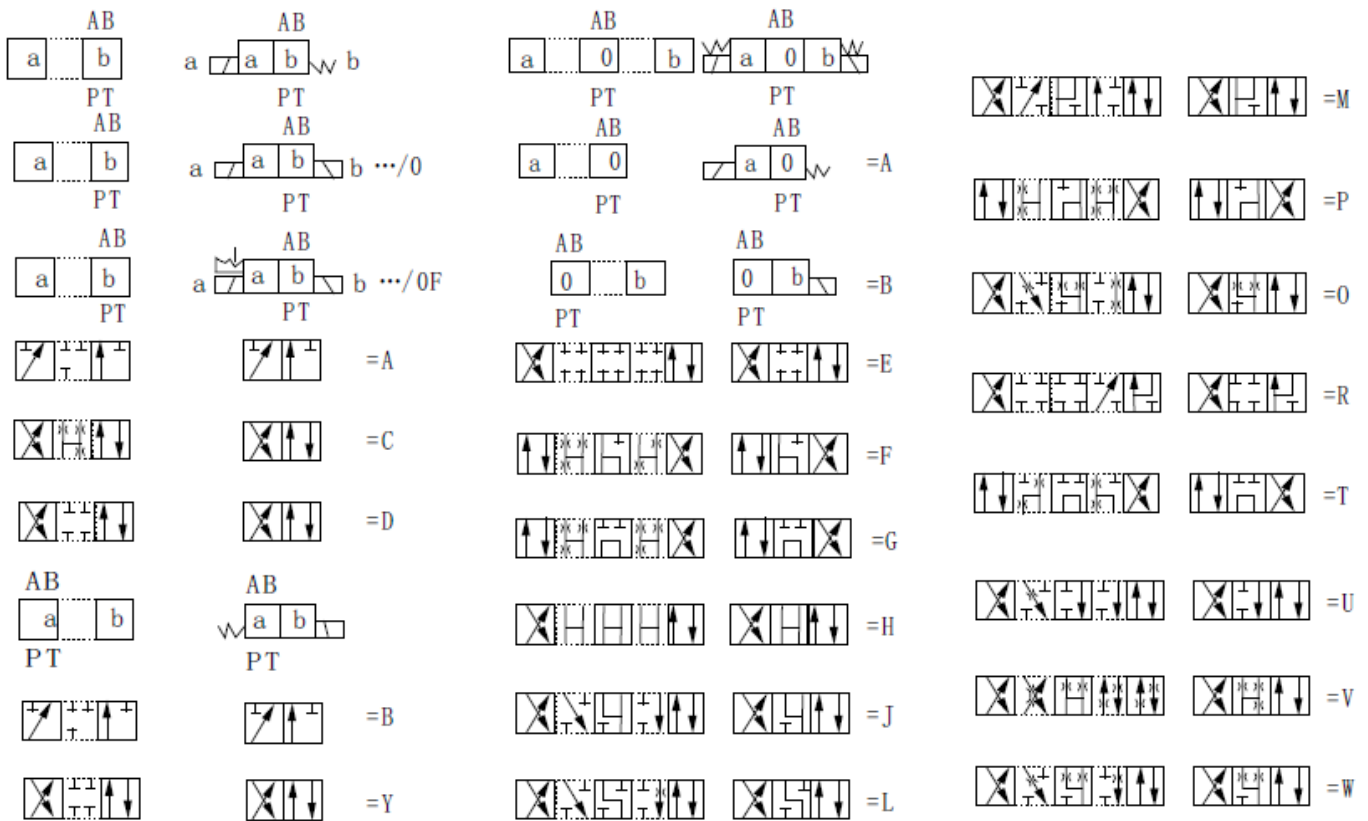
No code	External control External drain
E	Internal control External drain
T	External control Internal drain
ET	Internal control Internal drain



Hydraulic Solenoid Valves

4WEH Series Solenoid Pilot/Hydraulic Operated Directional Control Valve

Symbol List



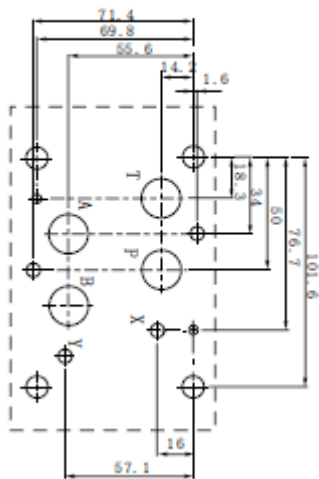


Hydraulic Solenoid Valves

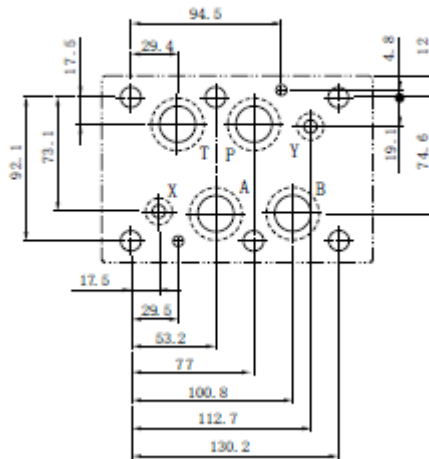
4WEH Series Solenoid Pilot/Hydraulic Operated Directional Control Valve

Mounting Dimen-

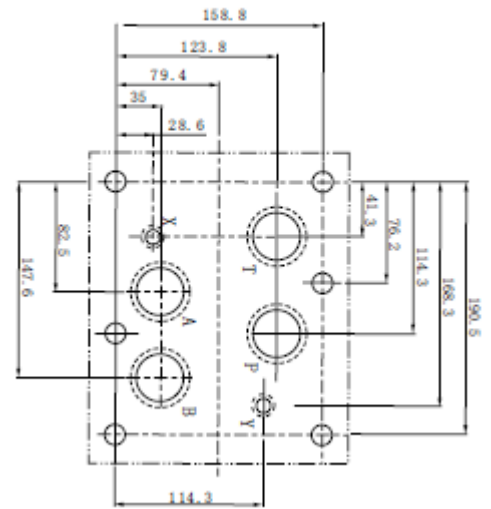
4WE16



4WE25



4WE32



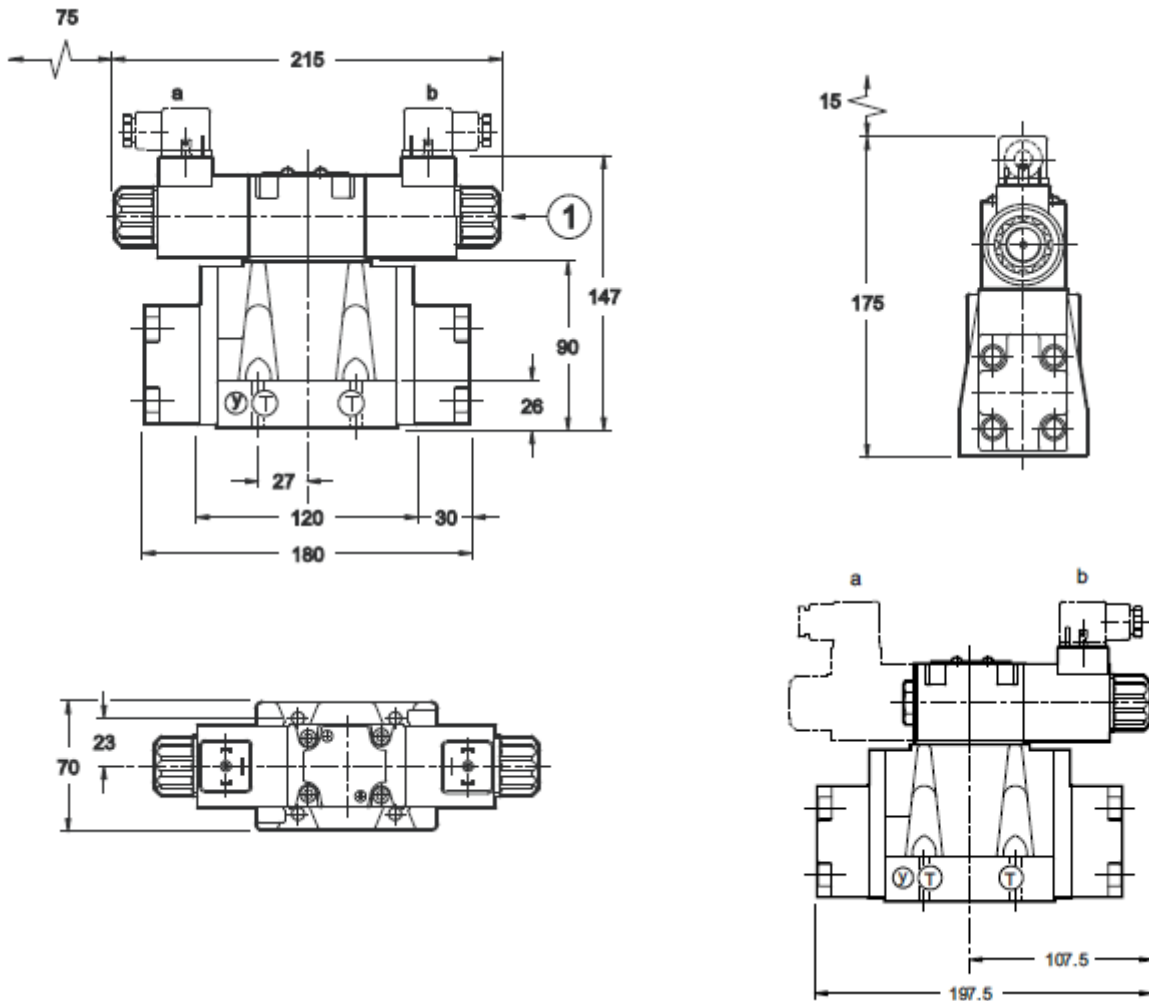


Hydraulic Solenoid Valves

4WEH Series Solenoid Pilot/Hydraulic Operated Directional Control Valve

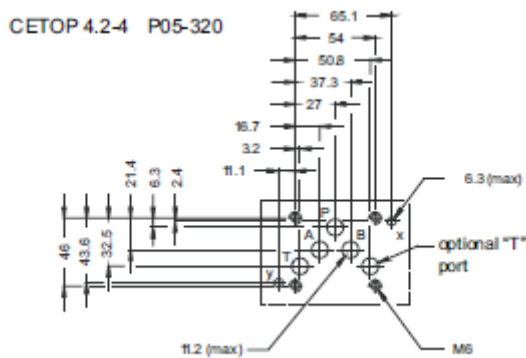
Mounting Dimen-

4WEH10

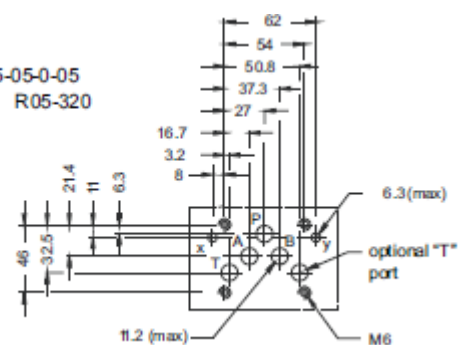


Mounting Surface (Standard)

Valves with ISO 4401-05-05-0-05 (CETOP R05) mounting interface are available upon request



ISO 4401-05-05-0-05
CETOP 4.2-4 R05-320

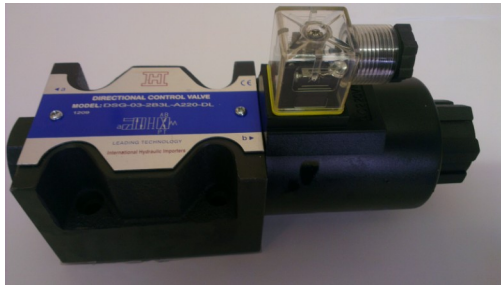


Hydraulic Solenoid Valves

DSG Series Solenoid Directional Control Valves

DSG series directional control valves are solenoid operated directional spool valves, these valves are used to the start , stop and direct oil flow

Technical Specification



Model		DSG-02	DS-02-*-M	DSG-03	DSG-03-*-M
Max. flow rate (L/min)		63	40	120	80
Working pressure		A,B,P port 31	A,B,P port 21	A,B,P port 31.5	A,B,P port 21
		T port 16	T port 14	T port 16	T port 16
Weight (kgs)	Single Solenoid	Plug-in connector: 1.5 Wire box: 2.5		Plug-in connector: 4.8 Wire box: 5.2	
	Double Solenoids	Plug-in connector: 2.2 Wire box: 2.5		Plug-in Connector:6.1 Wire box: 6.5	

Ordering Details

DS	L	G	02	3C2	A240	LW	LS	M
Sort	Low watt	Mounting type	Nominal Size	Symbols	Input Voltage	Connector type	Additional Function	Other series
4/3 and 4/2 Solenoid Operated Directional valve	No code: Standard L: Low watt	Subplate Mounting	02: NG6 Cetop 3 03: NG10 Cetop5	See Symbol List	See Voltage List	LW: Wire box With light DL: Plug-in connector With light	No code: Standard LS: With the Function Of low impact	No code: Standard M: Shock absorption



Hydraulic Solenoid Valves

DSG Series Solenoid Directional Control Valves

Symbol List



Voltage list

A240	AC240/60HZ, AC220/50HZ
A220	AC220/60HZ, AC220/50HZ
A120	AC120/60HZ, AC110/50HZ
A110	AC110/60HZ, AC100/50HZ
R240	AC240/60HZ, AC220/50HZ
R220	AC220/60HZ, AC220/50HZ
R120	AC120/60HZ, AC110/50HZ
R110	AC110/60HZ, AC100/50HZ
D24	DC24
D12	DC12



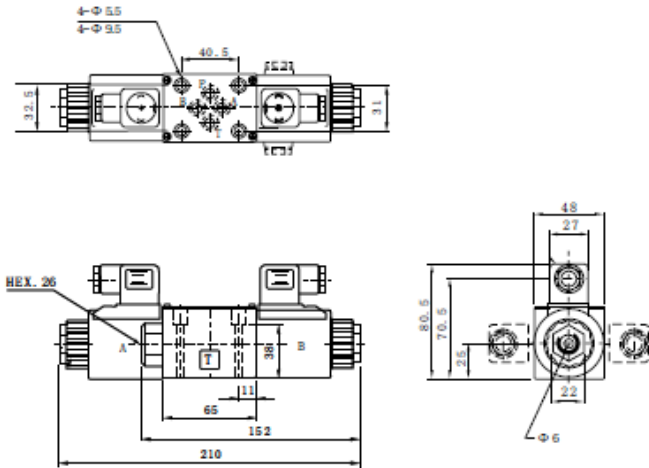
Hydraulic Solenoid Valves

DSG Series Solenoid Directional Control Valves

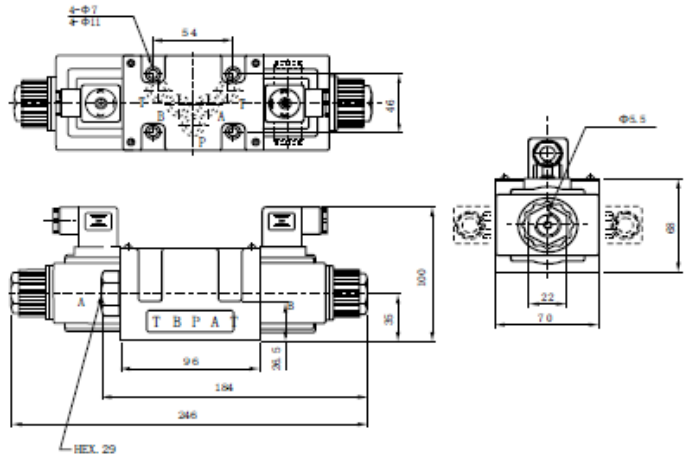
Mounting Dimensions

Unit: mm

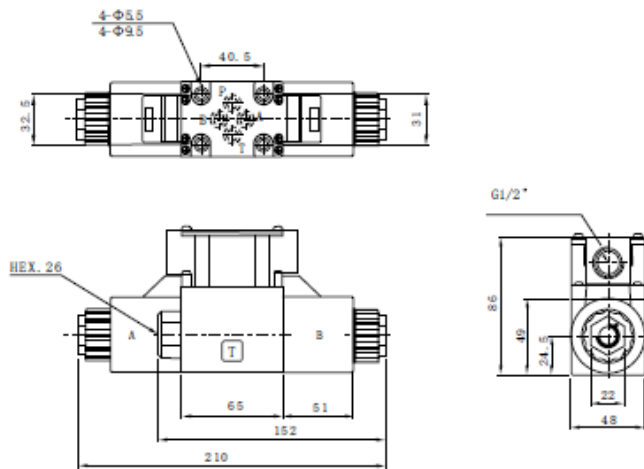
DSG-02-∗ -DL



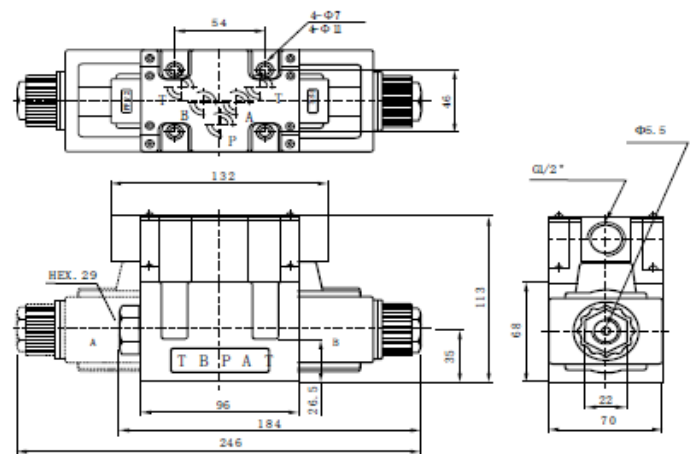
DSG-03-∗ -DL



DSG-02-∗ -LW

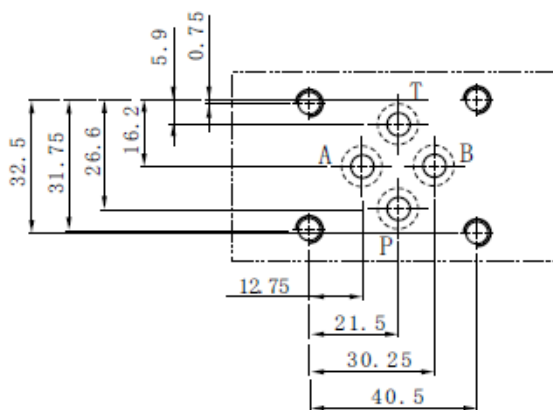


DSG-03-∗ -LW

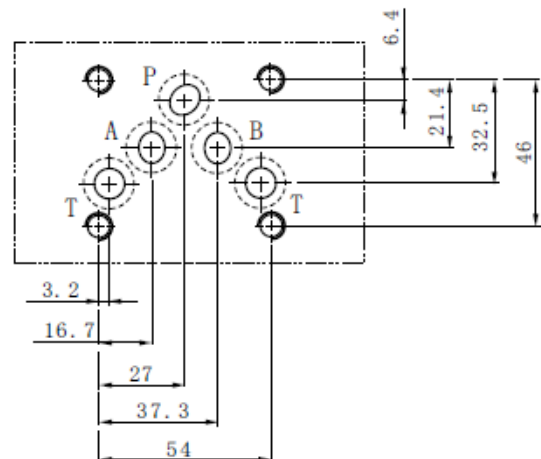


Mounting Dimensions

DSG-02



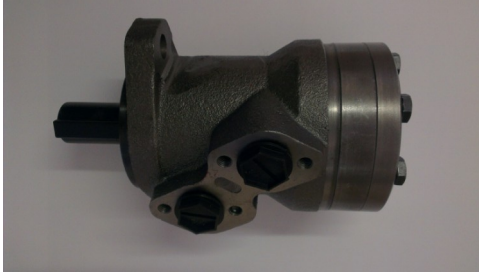
DSG-03



Hydraulic Motors

BMR Orbit Hydraulic Motor With Spool Valve

Introduction



This series of motor, with its shell made of ductile cast iron adequate intensity, can be applied to situations with less load and interval operation, widely to agriculture, forestry, plastics, machine tools and min machines, such as the mould height adjustment of the injection molding machine, the cleaner, the saw the worktable etc.

The output shaft, with the deep groove ball bearing, can bear certain axial force and radial force. With the axial oil distribution structure, it is of smaller size and less weight. With two inner check valves, no drain connection. With cycloid group with the roller, it has a small friction and high mechanical efficiency.

BMR Technical Data

TYPE		BMR-50	BMR-80	BMR-100	BMR-125	BMR-160	BMR-200	BMR-250	BMR-315	BMR-400
Displacement(ml/r)		51.7	80.5	100.5	126.3	160.8	200.9	252.6	321.5	401.9
Max.Pressure.Drop (Mpa)	Cont.	14	14	14	14	14	14	11	9	7
	Int.	17.5	17.5	17.5	17.5	17.5	17.5	14	11	9
	Peak.	20	20	20	20	20	20	16	13	11
Max.Torque (N.m)	Cont.	93	152	194	237	310	369	380	380	380
	Int.	118	189	236	296	378	450	470	470	470
	Peak.	135	216	270	338	433	509	540	540	540
Speed.Range(Cont.)(r/min)		10-775	10-750	10-600	9-475	7-375	5-300	5-240	5-190	5-160
Max.Flow(Cont.)(L/min)		40	60	60	60	60	60	60	60	60
Max.Output.Power(Cont.) (Kw)		7	10	10	10	10	8	6	5	4
Weight (kg)		6.5	6.9	7.0	7.3	7.5	8.0	8.5	9.0	11
L		141	146	150	154	160	167	176	188	202
B		9	14	17.5	22	28	35	44	56	70

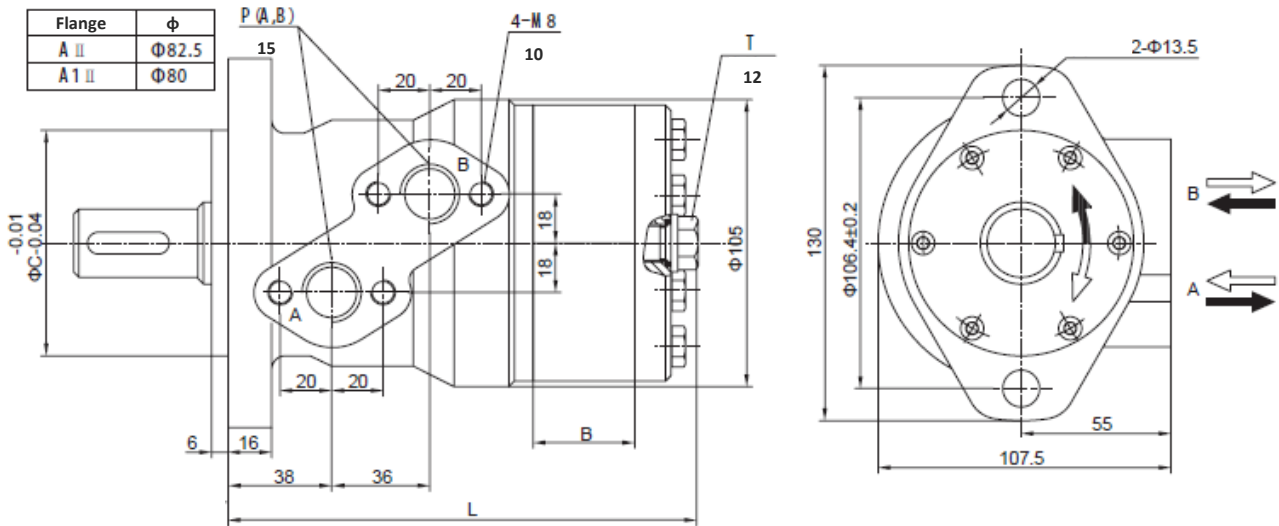
Intermittent operation the permissible values may occur for max. 10% of every minute. Peak load: the permissible values may occur for max. 1% of every minute.

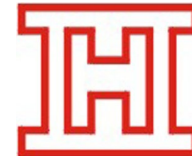
(N.m) : $\phi 25$, $\phi 25.4$ 360, $\phi 25$, $\phi 25.4$ 300

Hydraulic Motors

BMR Orbit Hydraulic Motor With Spool Valve

BMR Installation





Hydraulic Motors

BM3 Orbit Hydraulic Motor With Disk Valve

Introduction



BM hydraulic motor is one type of high torque low speed hydraulic motors, with high efficiency and long life. BM motor has a wide speed range, high starting torque and rotating stable at high speed Compact and light, it can be connected to working machine directly, adapted to all kinds of low speed heavy load facilities. BM hydraulic motors are widely applied in agriculture machinery, fishing machinery, plastic industry, mining, and construction machinery.

BM3 Technical Data

TYPE		BM3-80	BM3-100	BM3-125	BM3-160	BM3-200	BM3-250	BM3-315	BM3-400
Displacement(ml/r)		80.5	100.5	126.3	160.8	200.9	252.6	321.5	401.9
Max.Pressure.Drop (Mpa)	Cont.	17.5	17.5	17.5	16	16	12.5	12.5	10
	Int.	20	20	20	20	20	16	16	14
	Peak.	22.5	22.5	22.5	22.5	22.5	20	20	17.5
Max.Torque (N.m)	Cont.	194	242	303	358	438	440	551	560
	Int.	218	283	345	429	540	580	625	687
	Peak.	271	318	373	459	576	700	831	865
Speed.Range(Cont.)(r/min)		10-810	10-750	9-600	7-470	6-375	6-300	5-240	5-180
Max.Flow(Cont.)(L/min)		65	75	75	75	75	75	75	75
Max.Output.Power(Cont.) (Kw)		14	16	16	14	14	11	10	8
Weight (kg)		9.8	10.0	10.3	10.7	11.1	11.6	12.3	13.1
L		167	170	175	181	188	197	208	222
B		11	14.5	19	25	32	41	53	67

Intermittent operation the permissible values may occur for max. 10% of every minute. Peak load: the permissible values may occur for max. 1% of every minute.

(N.m) : $\phi 25$, $\phi 25.4$ 360, $\phi 25$, $\phi 25.4$ 300

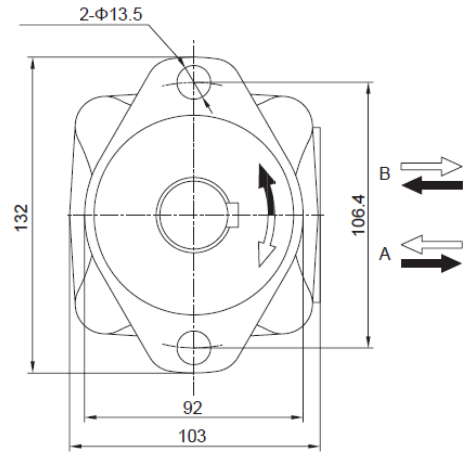
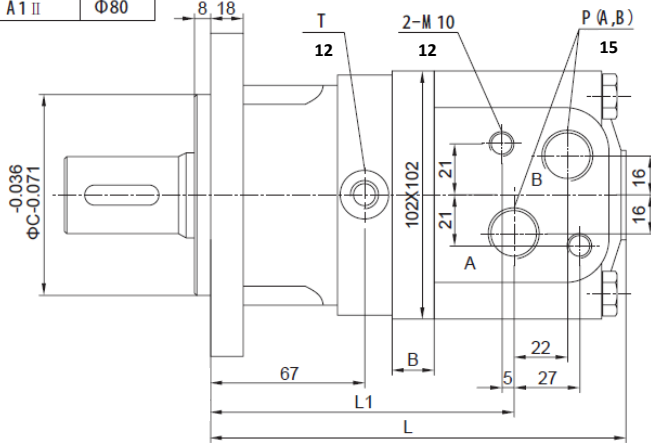


Hydraulic Motors

BM3 Orbit Hydraulic Motor With Disk Valve

BM3 Installation

Flange	ϕ
A II	$\phi 82.5$
A1 II	$\phi 80$



Hydraulic Steering Control Units

BHR Hydraulic Steering Control Units

Introduction



BHR1, BHR2, BHR3 Hydraulic steering control units (SCU), new design, better performance. Widely applied to low speed and heavy load vehicles E.g. construction machinery., forklift, tractor, harvester and helm control etc.

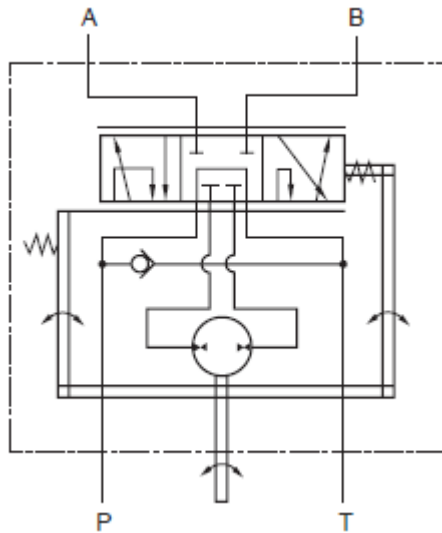
BHR Technical Data

TYPE	Displacement (ml/r)	Rated Flow (l/min)	Max.input Pressure (Mpa)	Max.Cont.Back Pressure (Mpa)	Normal Input Torque (N.m)	Length (mm)	Weight (Kg)
BHR1-50	50	5	17.5	2.5	<2.5	140	4.7
BHR1-63	63	6	17.5	2.5	<2.5	141	4.8
BHR1-80	80	8	17.5	2.5	<2.5	142	5.0
BHR1-100	100	10	17.5	2.5	<2.5	145	5.2
BHR1-125	125	13	17.5	2.5	<2.5	148	5.4
BHR1-160	160	16	17.5	2.5	<2.5	153	5.7
BHR1-200	200	20	17.5	2.5	<3	158	6
BHR1-250	250	25	17.5	2.5	<3	164	6.5
BHR1-280	280	28	17.5	2.5	<3	169	6.8
BHR1-315	315	32	17.5	2.5	<3	174	7.1
BHR1-400	400	40	17.5	2.5	<3	184	7.8
BHR1-500	500	50	17.5	2.5	<5	197	8.7
BHR1-630	630	60	16	2.5	<5	216	9.8
BHR1-800	800	75	16	2.5	<5	236	11
BHR1-1000	1000	75	16	2.5	<5	262	12.8

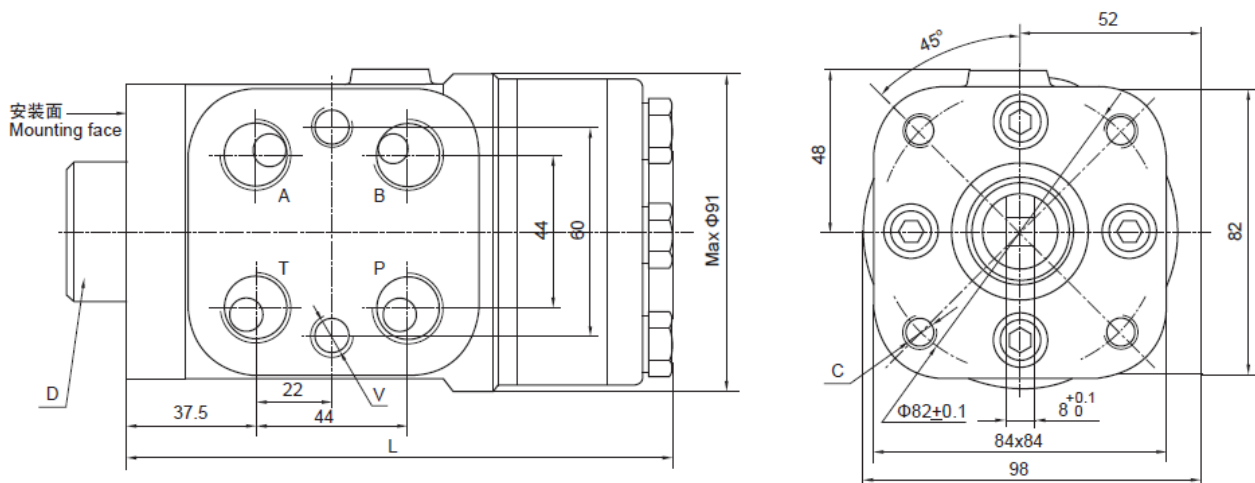
Hydraulic Steering Control Units

BHR Hydraulic Steering Control Units

BHR1 Open Center Non-reaction



BHR Dimensions and Mounting Data



Hydraulic Steering Control Units

BPB Hydraulic Steering Control Units

Introduction



BPB1, BPB2, BPB3 hydraulic steering control units has similar structure with BHR1, BHR2, BHR3, connecting dimension a little different, according to most European and US standard

BPB Technical Data

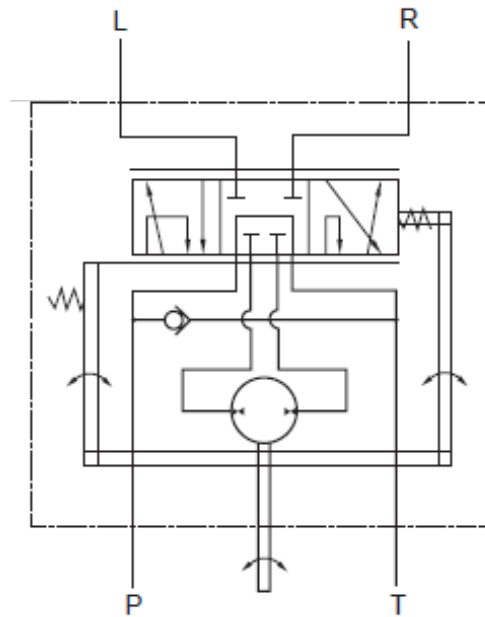
TYPE	Displacement (ml/r)	Rated Flow (l/min)	Max.input Pressure (Mpa)	Max.Cont.Back Pressure (Mpa)	Normal Input Torque (N.m)	Length (mm)	Weight (Kg)
BPB1-50	50	5	17.5	2.5	<2.5	131	5.4
BPB1-63	63	6	17.5	2.5	<2.5	133	5.5
BPB1-80	80	8	17.5	2.5	<2.5	135	5.6
BPB1-100	100	10	17.5	2.5	<2.5	138	5.7
BPB1-125	125	13	17.5	2.5	<2.5	141	5.9
BPB1-160	160	16	17.5	2.5	<2.5	146	6.0
BPB1-200	200	20	17.5	2.5	<3	151	6.2
BPB1-250	250	25	17.5	2.5	<3	157	6.5
BPB1-280	280	28	17.5	2.5	<3	162	6.6
BPB1-315	315	32	17.5	2.5	<3	167	6.9
BPB1-400	400	40	17.5	2.5	<3	177	7.2
BPB1-500	500	50	17.5	2.5	<5	197	8.0



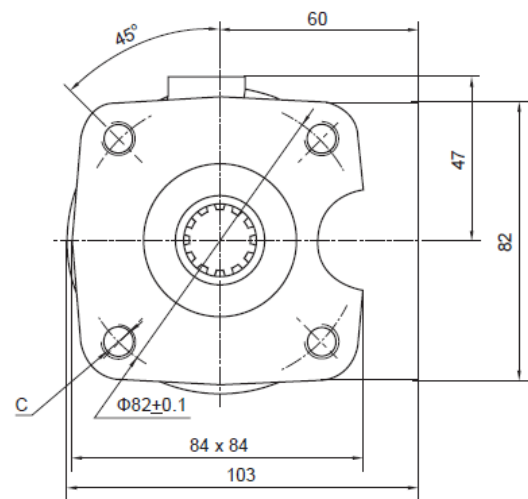
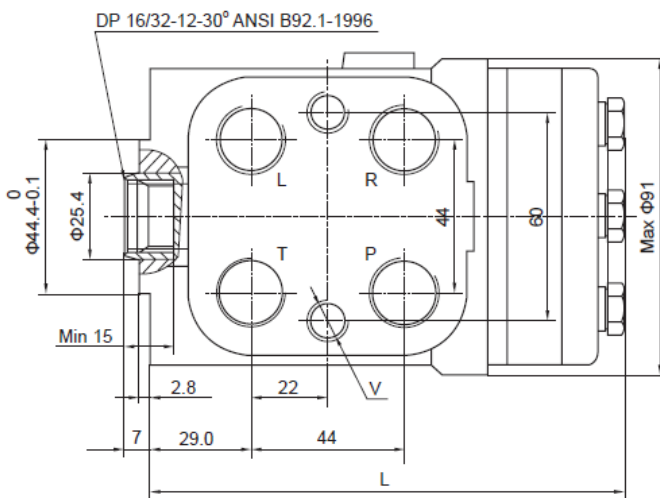
Hydraulic Steering Control Units

BPB Hydraulic Steering Control Units

BPB1 Open Center Non-reaction



BPB Dimensions and Mounting Data



Hydraulic Steering Control Units

BPBS Hydraulic Steering Control Units

Introduction



BPBS1, BPBS2 has similar dimension with BPB1, BPB2 with relief valve, shock valve, suction valve, inlet check valve integrated and different valves can be assembled freely, compact, more convenient, according to European and US standards.

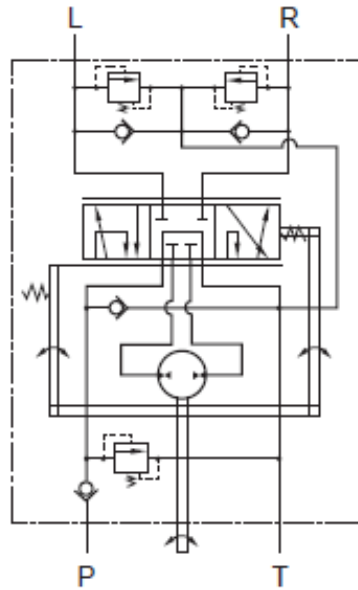
BPBS Technical Data

TYPE	Displacement (ml/r)	Rated Flow (l/min)	Max.input Pressure (Mpa)	Max.Cont.Back Pressure (Mpa)	Normal Input Torque (N.m)	Length (mm)	Weight (Kg)
BPBS1-50	50	5	17.5	2.5	<2.5	131	5.4
BPBS1-63	63	6	17.5	2.5	<2.5	133	5.5
BPBS1-80	80	8	17.5	2.5	<2.5	135	5.6
BPBS1-100	100	10	17.5	2.5	<2.5	138	5.7
BPBS1-125	125	13	17.5	2.5	<2.5	141	5.9
BPBS1-160	160	16	17.5	2.5	<2.5	146	6.0
BPBS1-200	200	20	17.5	2.5	<3	151	6.2
BPBS1-250	250	25	17.5	2.5	<3	157	6.5
BPBS1-280	280	28	17.5	2.5	<3	162	6.6
BPBS1-315	315	32	17.5	2.5	<3	167	6.9
BPBS1-400	400	40	17.5	2.5	<3	177	7.2

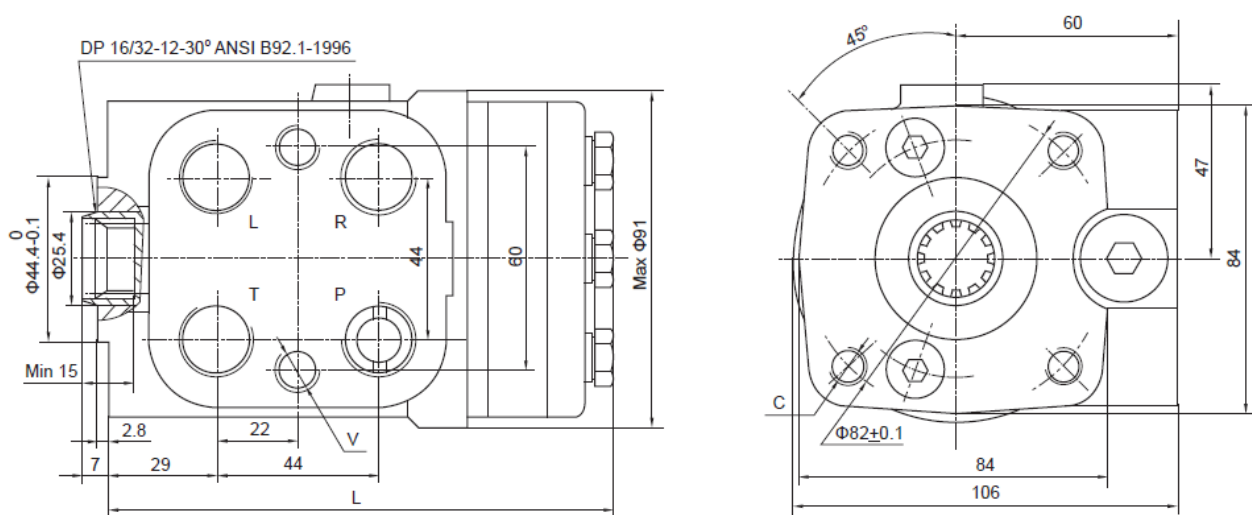
Hydraulic Steering Control Units

BPBS Hydraulic Steering Control Units

BPBS1 Open Center Non-reaction



BPBS Dimensions and Mounting Data



Pneumatics Nylon & PU Tubing

Nylon Tubing



Part No	Size O.D.	Wall Thickness	Price
N1112-04x1.0	4	1.0	
N1112-06x1.0	6	1.0	
N1112-08x1.0	8	1.0	
N1112-09x1.0	9	1.0	
N1112-10x1.0	10	1.0	
N1112-11x1.5	11	1.5	
N1112-12x1.5	12	1.5	
N1112-13x1.5	13	1.5	
N1112-15x1.5	15	1.5	
N1112-16x2.0	16	2.0	

PU Tubing



Part No	Size O.D. (mm)	Size I.D. (mm)	Price
PU4*2.5	4	2.5	
PU6*4	6	4	
PU8*5.5	8	5.5	
PU8*5	8	5	
PU10*6.5	10	6.5	
PU12*8	12	8	
PU14*10	14	10	
PU16*12	16	12	

PUL Suzi Coilspring



Part No	Size O.D. (mm)	Size I.D. (mm)	Price
PUL8X5	8	5	
PUL12X8	12	8	

*Available In All Colours

*Other Sizes are available on request

Pneumatics Fittings

FPU (Straight Connector)



Part No	Size (mm)	Price
FPU4	4	
FPU6	6	
FPU8	8	
FPU10	10	
FPU12	12	
FPU16	16	

FPV (90° Connector)



Part No	Size(mm)	Price
FPV4	4	
FPV6	6	
FPV8	8	
FPV10	10	
FPV12	12	
FPV16	16	

FPE (Tee Connector)



Part No	Size(mm)	Price
FPE4	4	
FPE6	6	
FPE8	8	
FPE10	10	
FPE12	12	
FPE16	16	

Pneumatics Fittings

FPG (Un-Equal Connectors)



Part No	Size (mm)	Price
FPG6-4	6 - 4	
FPG8-4	8 - 4	
FPG8-6	8 - 6	
FPG10-6	10 - 6	
FPG10-8	10 - 8	
FPG12-6	12 - 6	
FPG12-8	12 - 8	
FPG12-10	12 - 10	
FPG16-12	16 - 12	

FPT (Unequal Tee Connectors)



Part No	Size(mm)	Price
FPT6-4	6x6x4	
FPT8-4	8x8x4	
FPT8-6	8x8x6	
FPT10-6	10x10x6	
FPT10-8	10x10x8	
FPT12-6	12x12x6	
FPT12-8	12x12x8	
FPT12-10	12x12x10	

Pneumatics Fittings

FPC (Straight Connector NPT Thread)



Part No	Size (mm)	Size	Price
FPC4-01	4	1/8	
FPC4-02	4	1/4	
FPC4-M5	4	(5X1)	
FPC6-01	6	1/8	
FPC6-02	6	1/4	
FPC6-03	6	3/8	
FPC6-04	6	1/2	
FPC6-M5	6	(5X1)	
FPC8-01	8	1/8	
FPC8-02	8	1/4	
FPC8-03	8	3/8	
FPC8-04	8	1/2	
FPC10-01	10	1/8	
FPC10-02	10	1/4	
FPC10-03	10	3/8	
FPC10-04	10	1/2	
FPC12-01	12	1/8	
FPC12-02	12	1/4	
FPC12-03	12	3/8	
FPC12-04	12	1/2	
FPC16-01	16	1/8	
FPC16-02	16	1/4	
FPC16-03	16	3/8	
FPC16-04	16	1/2	

Pneumatics Fittings

FPL (90° Connector NPT Thread)



Part No	Size (mm)	Size	Price
FPL4-01	4	1/8	
FPL4-02	4	1/4	
FPL4-M5	4	(5X1)	
FPL6-01	6	1/8	
FPL6-02	6	1/4	
FPL6-03	6	3/8	
FPL6-04	6	1/2	
FPL6-M5	6	(5X1)	
FPL8-01	8	1/8	
FPL8-02	8	1/4	
FPL8-03	8	3/8	
FPL8-04	8	1/2	
FPL10-01	10	1/8	
FPL10-02	10	1/4	
FPL10-03	10	3/8	
FPL10-04	10	1/2	
FPL12-01	12	1/8	
FPL12-02	12	1/4	
FPL12-03	12	3/8	
FPL12-04	12	1/2	
FPL16-03	16	3/8	
FPL16-04	16	1/2	

Pneumatics Fittings

FJSC (Flow Control NPT Thread)



Part No	Size (mm)	Size	Price
FJSC4-01	4	1/8	
FJSC4-02	4	1/4	
FJSC4-M5	4	(5X1)	
FJSC6-01	6	1/8	
FJSC6-02	6	1/4	
FJSC6-03	6	3/8	
FJSC6-04	6	1/2	
FJSC6-M5	6	(5X1)	
FJSC8-01	8	1/8	
FJSC8-02	8	1/4	
FJSC8-03	8	3/8	
FJSC8-04	8	1/2	
FJSC10-01	10	1/8	
FJSC10-02	10	1/4	
FJSC10-03	10	3/8	
FJSC10-04	10	1/2	
FJSC12-01	12	1/8	
FJSC12-02	12	1/4	
FJSC12-03	12	3/8	
FJSC12-04	12	1/2	

FJSC (Flow Control NPT Thread)



Part No	Size (mm)	Price
FPAC4	4	
FPAC6	6	
FPAC8	8	
FPAC10	10	
FPAC12	12	

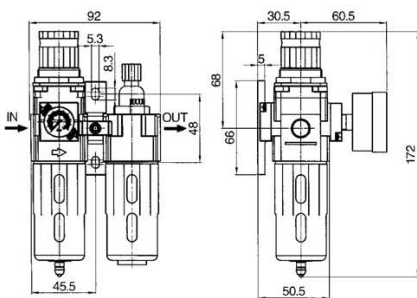
Air Source Treatment Unit

Filter Regulator + Lubricator

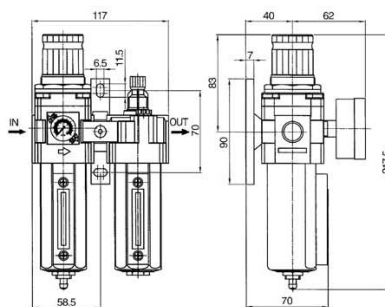
Technical Specification

Type		AC201A-01J,02J	AC301A-02J,03J	AC401A-03J,04J	AC501A-06J,08J	AC601A-06J,08J
Port Size G		1/8" - 1/4"	1/4" - 3/8"	3/8" - 1/2"	3/4" - 1"	3/4" - 1"
Gauge Thread G		1/8"			1/4"	
Fluid		Compressed Air				
Operating Pressure Range MPa		0.15 ~ 0.85				
Max.Flow rate L/min		500	1700	3000	5000	5000
Ambient Temperature °C		-10 ~ 60				
Filter Precision		Standard: 20 μ m				
Oil Recommended		ISO VG32				
Cup Material		Metal				
Structure		Overflow Type				
Optional	Guard Cup	-	●	●	●	●
	Bracket	20T	30T	40T	50T	50T

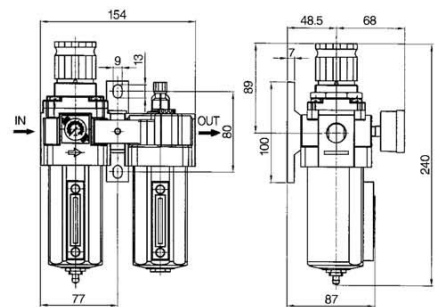
AC201A-01J,02J



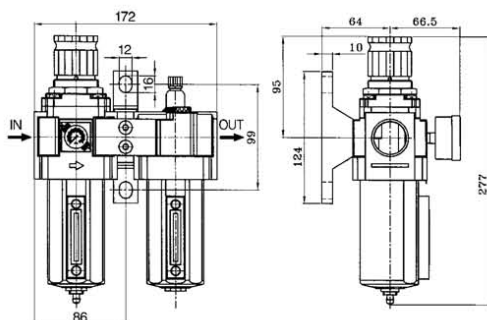
AC301A-02J,03J



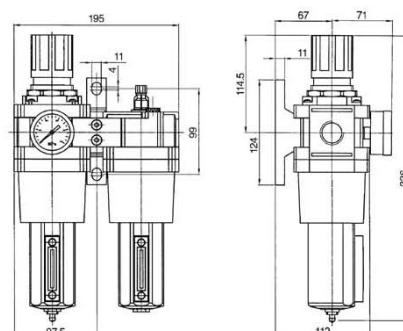
AC401A-03J,04J



AC501A-06J,08J



AC601A-06J,08J



Air Source Treatment Unit

Filter Regulator + Lubricator

Technical Specification

Type	AR900-15	AR900-20
Port Size G	1 1/2"	2"
Gauge Thread G	1/4"	
Fluid	Compressed Air	
Operating Pressure Range MPa	0.15 ~ 0.85	
Ambient Temperature °C	-10 ~ 60	



Air Source Treatment Unit

Filter Regulator + Lubricator

Technical Specification

Type	FR/L-02
Port Size G	1/4"
Gauge Thread G	1/4"
Fluid	Compressed Air
Operating Pressure Range MPa	0.15 ~ 0.85
Max.Flow Rate L/min	1850
Ambient Temperature °C	-10 ~60
Filter Precision	Standard: 20 μ m
Oil Recommended	ISO VG32
Cup Material	Polycarbonate
Structure	Piston Type
Optional	-



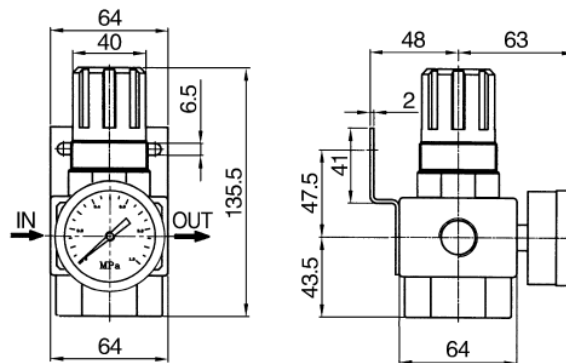
Air Source Treatment Unit

Filter Regulator + Lubricator

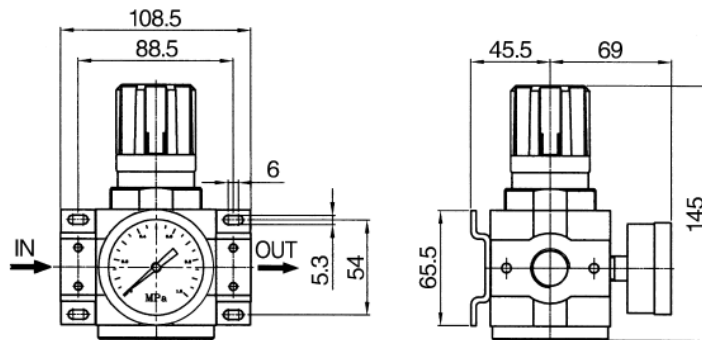
Technical Specification

Type	UR-02	UR-03	UR-04	UR-06	UR-08
Port Size G	1/4"	3/8"	1/2"	3/4"	1"
Gauge Thread G	1/4"				
Fluid	Compressed Air				
Operating Pressure Range MPa	0.1 ~ 0.85				
Max.Flow rate L/min	1546	2050	2500	7900	8100
Ambient Temperature °C	-10 ~ 60				
Structure	Piston Type				

UR-02,03,04



UR-06,08



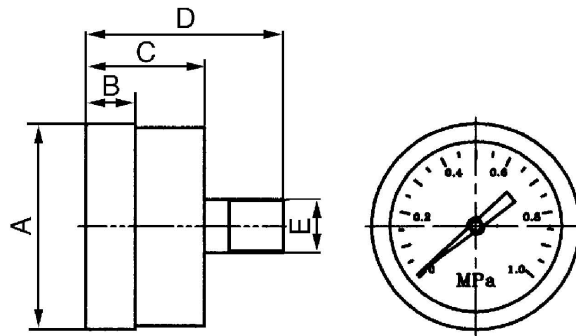
Air Source Treatment Unit

Filter Regulator + Lubricator

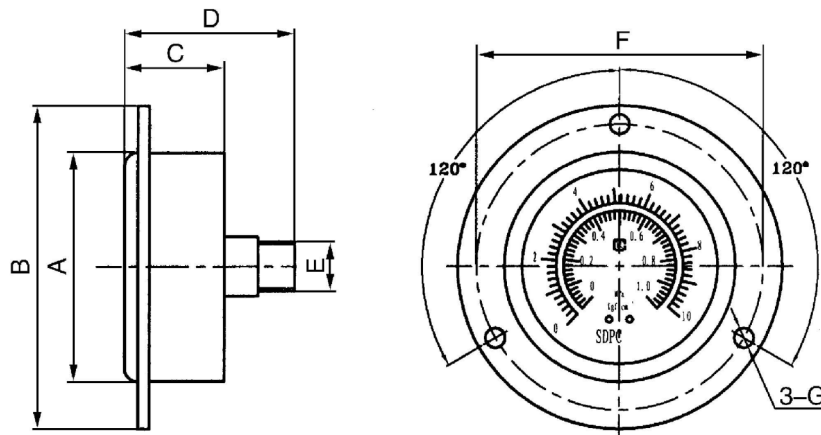
Technical Specification

Type	GS-40	GS-50	GF-40	GF-50	GF-60
Fluid	Compressed Air				
Port Size G	1/4"	1/4"	1/8"	1/4"	1/4"
Pressure Range Mpa	0 ~ 10				
Max. Pressure Mpa	1				
Ambient Temperature °C	-10 ~ 70				

GS Series



GF Series

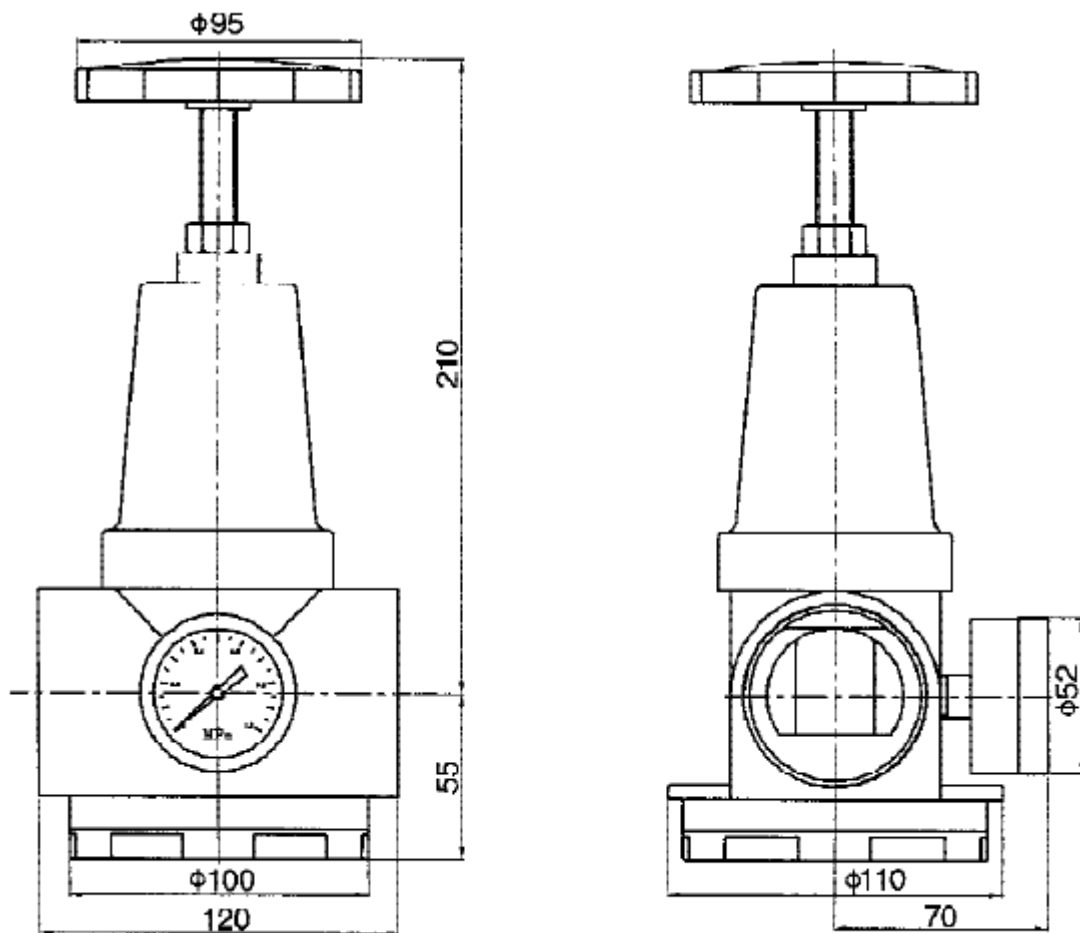


Max Flow Air Treatment

Regulator

Technical Specification

Type	AR900-15	AR900-20
Port Size G	1 1/2"	2"
Gauge Thread G	1/4"	
Fluid	Compressed Air	
Operating Pressure Range MPa	0.15 ~ 0.85	
Ambient Temperature °C	-10 ~ 60	



Pneumatic Control Valve

Solenoid Valve/Air Control Valve

Technical Specification

Type	4V310-10	4M310-08
Position Number	2 (3) Position 5 Ports Solenoid Valve	2 Position 5 ports Panel Type
Effective Sectional Area	30mm ² (CV=1.68)	
Fluid	Compressed Air	
Acting Type	Internally Pilot-Actuated	
Working Pressure MPa	0.2 ~ 0.8	
Ambient Temperature °C	-5~50	
Voltage Range	± 10%	

4V310-10



4M310,320,330



* We Also Do 4H And 4F

Pneumatic Control Valve

Solenoid Valve

Technical Specification

Type	25110-06	25320-10
Position Number	2 Position 5Way	2 Position 5Way
Effective Sectional Area	12mm ² (CV=0.67)	25mm ² (CV=1.40)
Fluid	Compressed Air	
Acting Type	Internally Pilot-Actuated	
Working Pressure MPa	0.2 ~ 0.8	
Ambient Temperature °C	-5~50	
Voltage Range	± 10%	

25110-06



25320-10



Pneumatic Control Valve

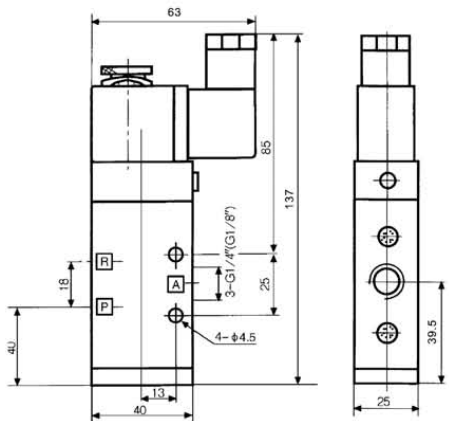
Solenoid Valve

Technical Specification

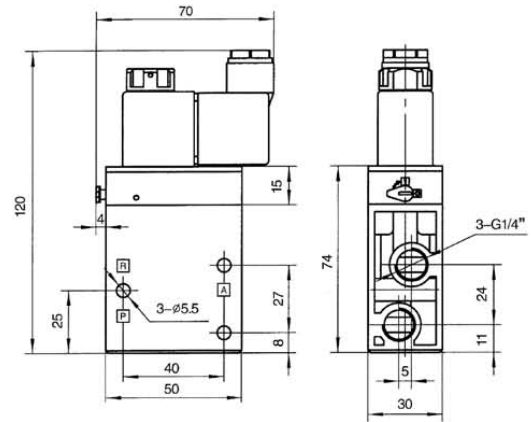
Type	S230601A	S230801A	S230801	S231501
Position Number	2 Position 3 Way			
Acting Type	Internally Pilot-Actuated			
Port Size G	1/8"	1/4"	1/4"	1/2"
Fluid	Compressed Air			
Operating Pressure Range MPa	0.2 ~ 0.8			
Ambient Temperature °C	-5~60°C			
Voltage Range	± 10%			

S230601A

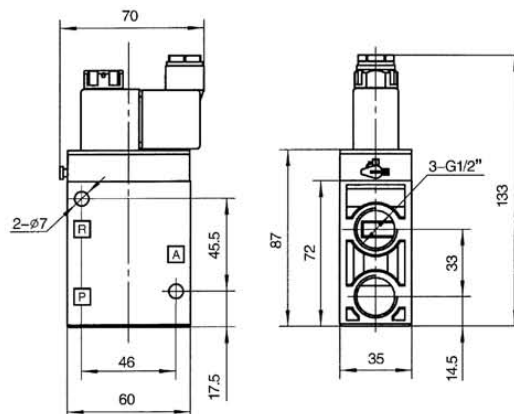
S230801A



S230801



S231501



Pneumatic Control Valve

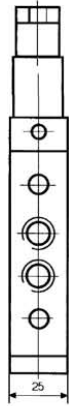
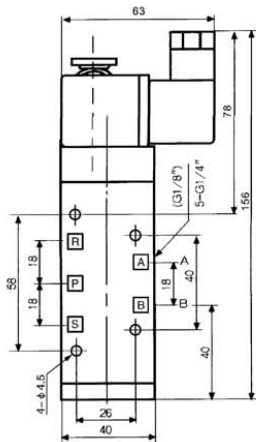
Solenoid Valve

Technical Specification

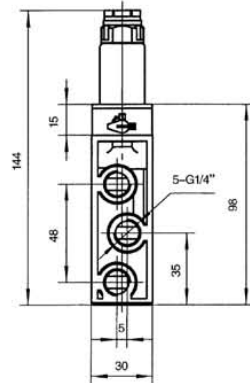
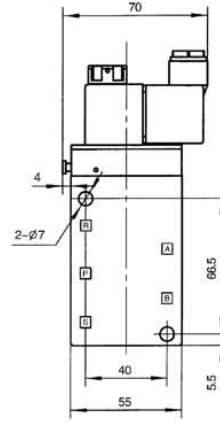
Type	S250601A	S250801A	S250801	S251501
Position Number	2 Position 5 Way			
Acting Type	Internally Pilot-Actuated			
Port Size G	1/8"	1/4"	1/4"	1/2"
Fluid	Compressed Air			
Operating Pressure Range MPa	0.2 ~ 0.8			
Ambient Temperature °C	-5~60°C			
Voltage Range	± 10%			

S250601A

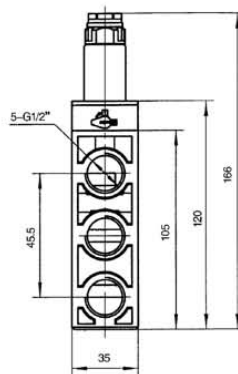
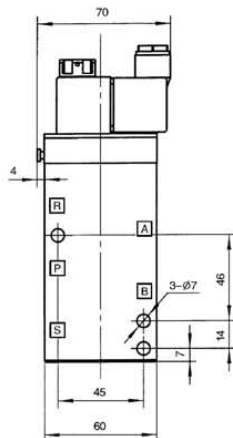
S250801A



S250801



S251501



Pneumatic Control Valve

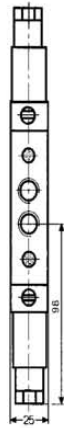
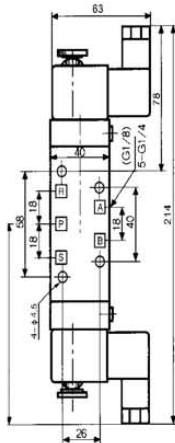
Solenoid Valve

Technical Specification

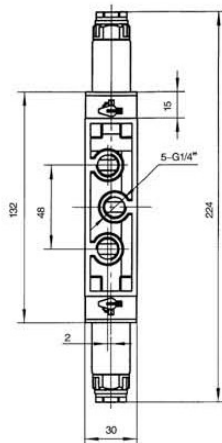
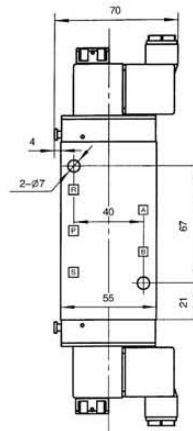
Type	S250602A	S250802A	S250802	S251502
Position Number	2 Position 5 Way			
Acting Type	Internally Pilot-Actuated			
Port Size G	1/8"	1/4"	1/4"	1/2"
Fluid	Compressed Air			
Operating Pressure Range MPa	0.2 ~ 0.8			
Ambient Temperature °C	-5~60°C			
Voltage Range	± 10%			

S250602A

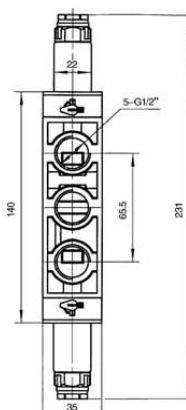
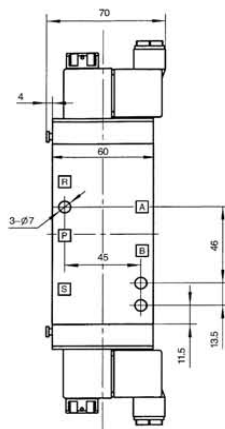
S250802A



S250802



S251502



Pneumatic Control Valve

Solenoid Valve

Technical Specification

Type	PU220-06	PU220-08	PU220-10	PU220-15
Fluid	Air, Water, Oil			
Acting Type	Directly Operated			
Type	Normally Closed			
Port Size G	1/8"	1/4"	3/8"	1/2"
Operating Pressure MPa	0 ~ 0.8			
Ambient Temperature °C	-5~80°C			

PU220



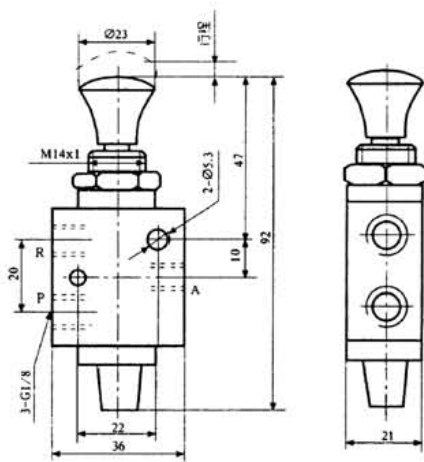
Pneumatic Control Valve

Hand Valve

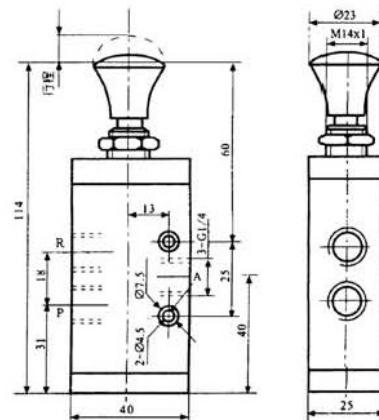
Technical Specification

Type	S230605A	S230805A	S230805	S231505
Position Number	2 Position 3 Way			
Acting Type	Internally Pilot-Actuated			
Port Size G	1/8"	1/4"		1/2"
Fluid	Compressed Air			
Ambient Temperature °C	-5~60°C			
Operating Pressure MPa	0.2 ~ 0.8			

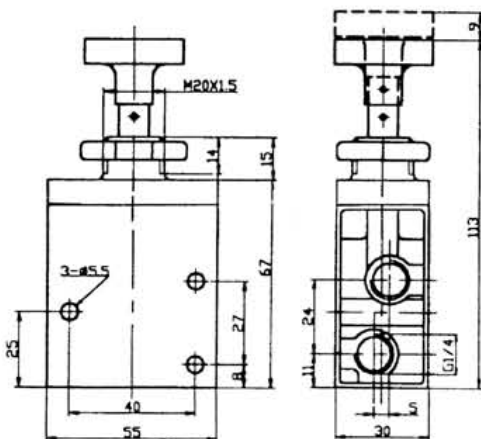
S230605A



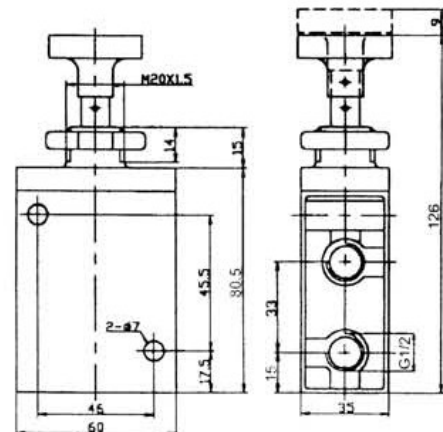
S230805A



S230805



S231505



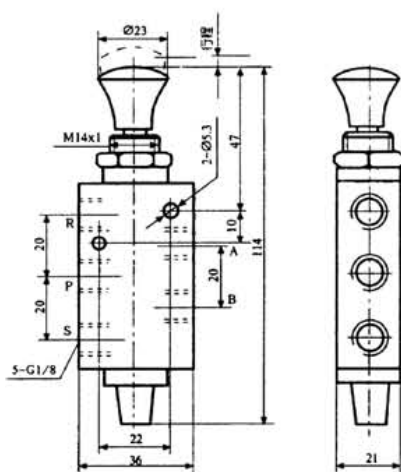
Pneumatic Control Valve

Hand-draw Valve

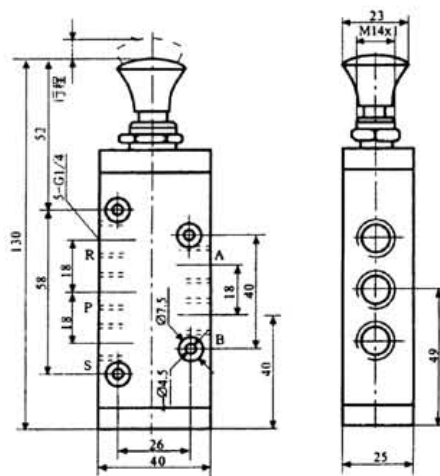
Technical Specification

Type	S250605A	S250805A	S250805	S251505
Acting Type	2 Position 5 Way			
Port Size G	1/8"	1/4"		1/2"
Fluid	Compressed Air			
Ambient Temperature °C	-5~60°C			
Operating Pressure MPa	0.2 ~ 0.8			

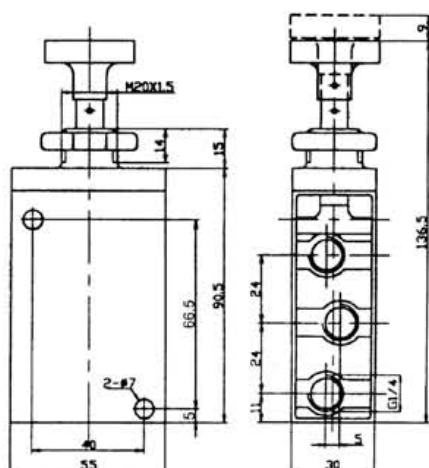
S250605A



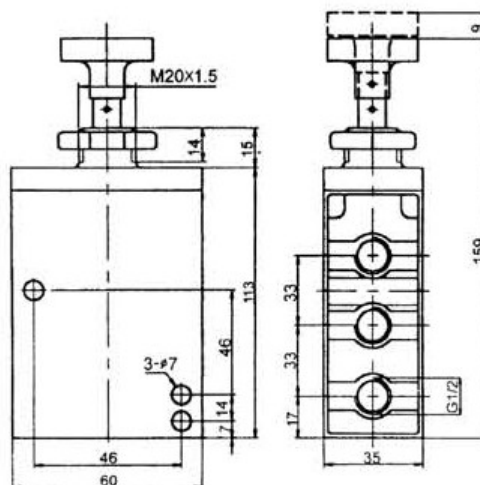
S250805A



S250805



S251505

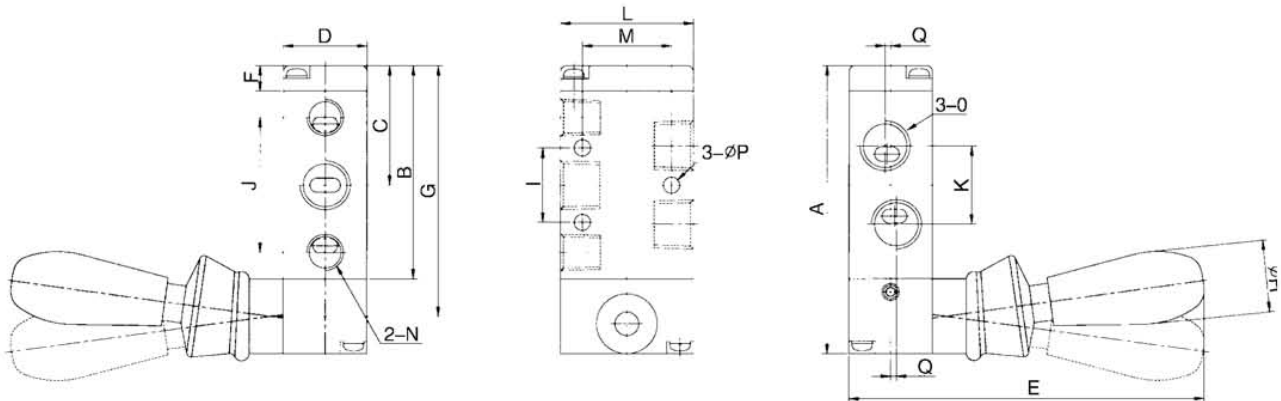


Pneumatic Control Valve

Hand-pull Valve

Technical Specification

Type	4H210-08	4H230-08	4H310-10	4H330-10	4H410-15
Position Number	2 Position 5 Way	3 Position 5 Way	2 Position 5 Way	3 Position 5 Way	2 Position 5 Way
Fluid	Compressed Air (Filtered, 40um)				
Acting Type	Directly				
Port Size	Input=Output=Exhausted	Input=Output=G1/4" Exhausted=G1/8"	Input=Output=Exhausted =G1/4"	Input=Output=G3/8" Exhausted=G1/4"	Input=Output=Exhausted =G1/2"
Operating Pressure MPa	0.2 ~ 0.8				
Ambient Temperature	-5 ~ 60				



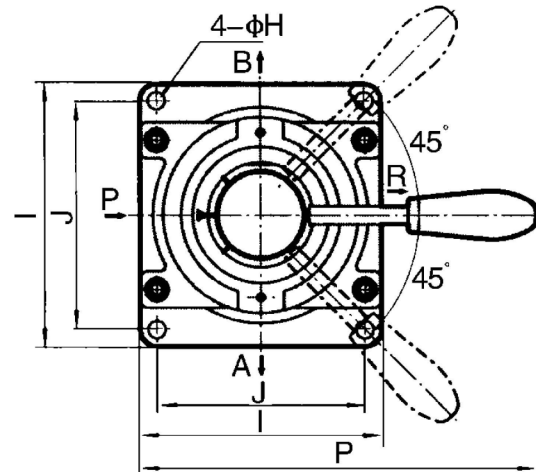
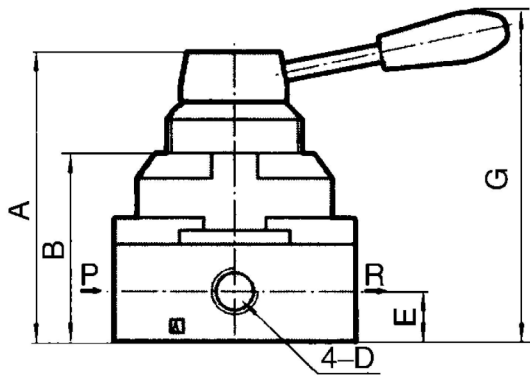
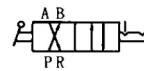
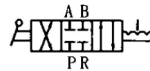
Pneumatic Control Valve

Hand-Switching Valve

Technical Specification

Type	HV2□□-08	HV3□□-08	HV3□□-10	HV3□□-15
Medium	Compressed Air			
Position Number	2 Position 4 Way/3Position 4 Way			
Port Size G	1/4"		3/8"	1/2"
Operating Pressure MPa	0.2 ~ 0.8			
Ambient Temperature Range	-5 ~ 60°C			
Operating Angle	90°			

Panel Mounting

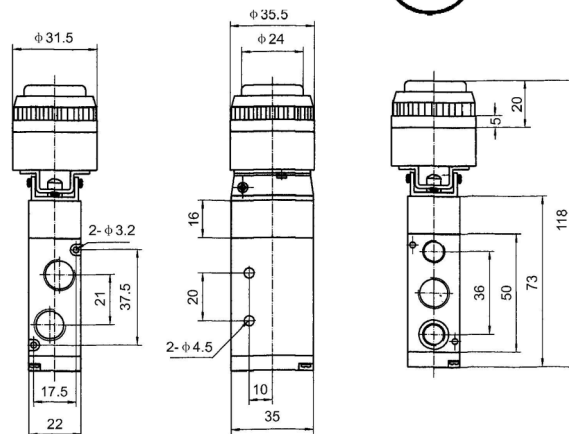
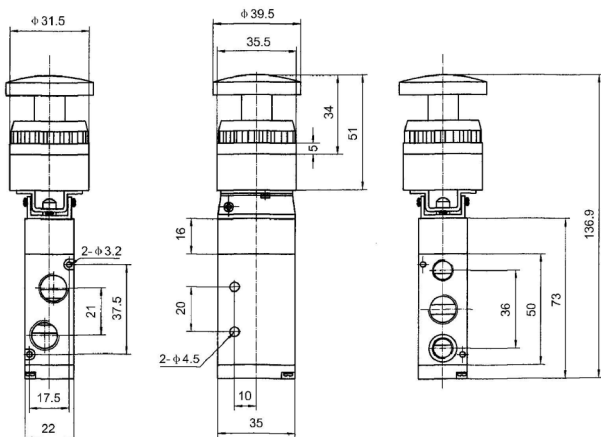
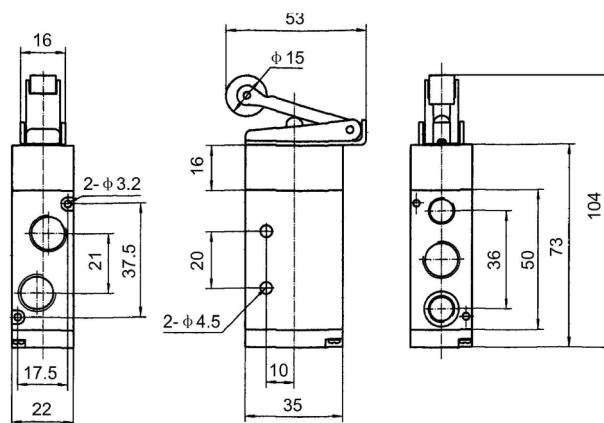
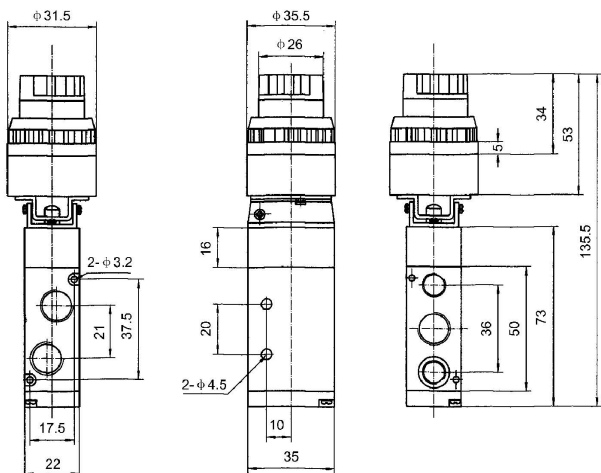


Pneumatic Control Valve

Mechanical Valve

Technical Specification

Type	JMJ-01, 02, 03, 04
Port Size G	1/4"
Fluid	Compressed Air
Temperature Range	-5 ~ 60°C
Operating Pressure Mpa	0.2 - 0.8



Pneumatic Control Valve

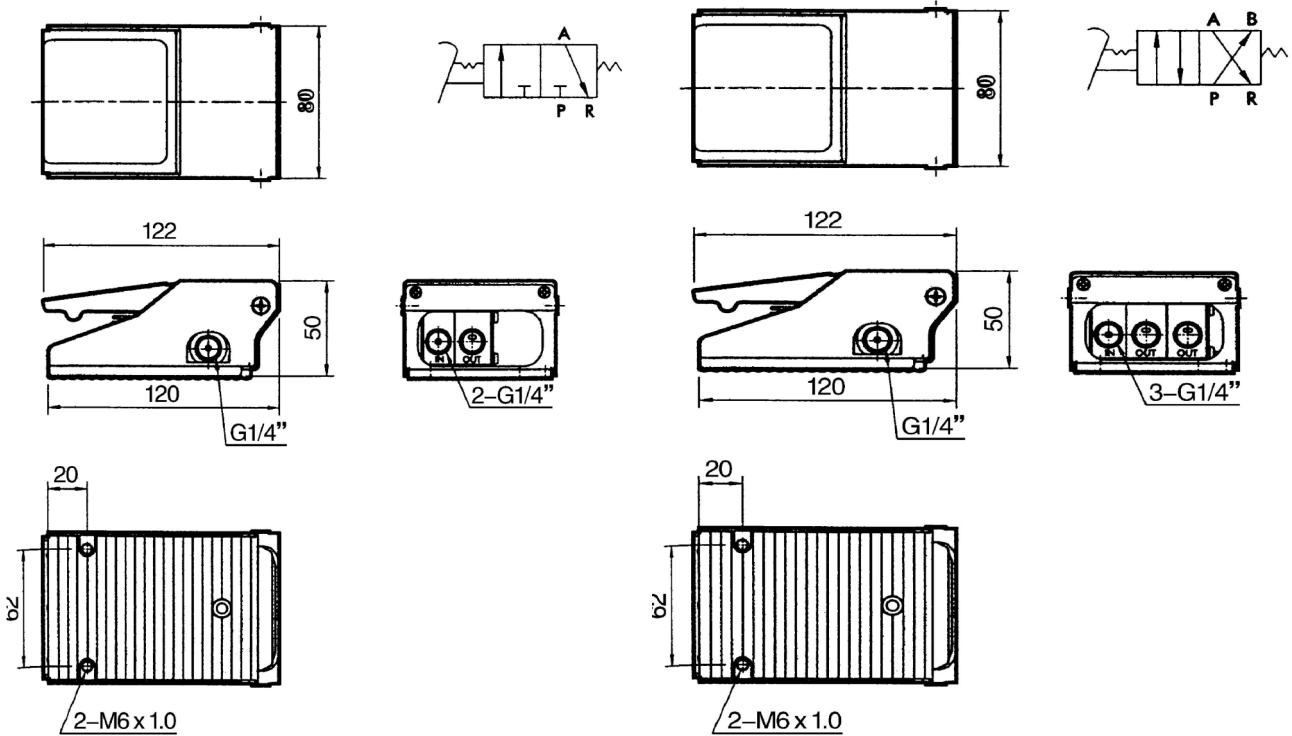
Foot Valve

Technical Specification

Type	FV230	FV240
Position Number	2 Position 3Way	2 Position 4 Way
Port Size G	1/4"	
Fluid	Compressed Air	
Operating Pressure Mpa	0.2 ~ 0.7	
Temperature Range	5 ~ 60°C	

FV230

FV240



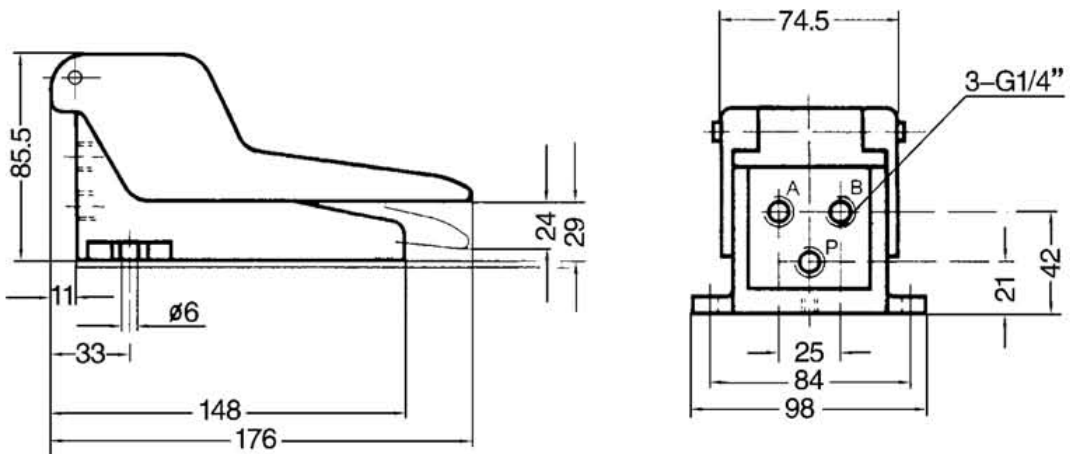
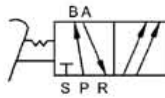
Pneumatic Control Valve

Foot Valve

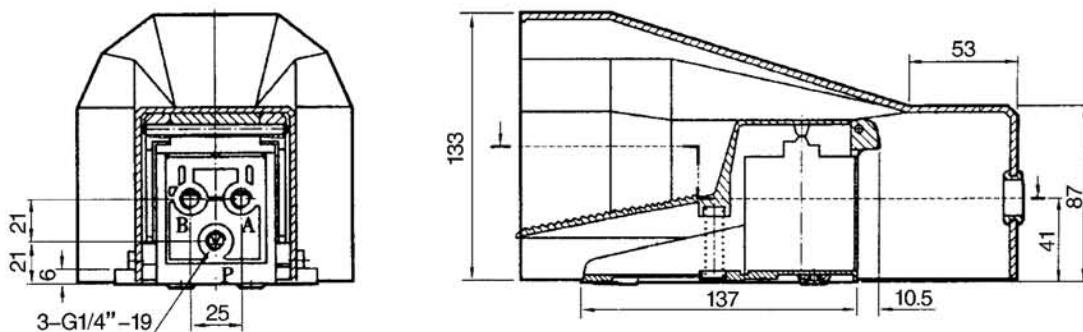
Technical Specification

Type	4F210-08	4F210-08G
Port Size G	1/4"	
Fluid	Compressed Air	
Acting Type	Directly Operated	
Operating Pressure Mpa	0.2 ~ 0.8	
Temperature Range	5 ~ 60°C	

4F210-08



4F210-08G

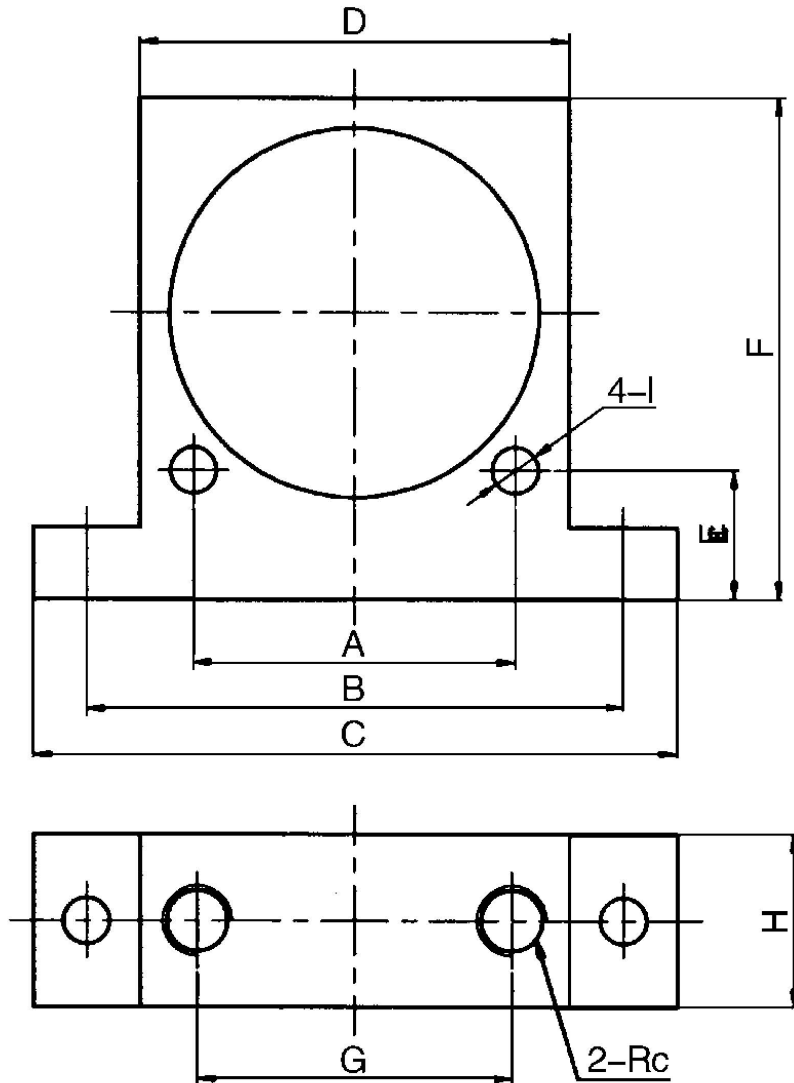


Pneumatic Control Valve

Vibrator

Technical Specification

Type	NK-08	NK-10
Port Size G	1/4"	3/8"
Operating Pressure Mpa	0.15~ 0.8	
Temperature Range	-5 ~ 60°C	



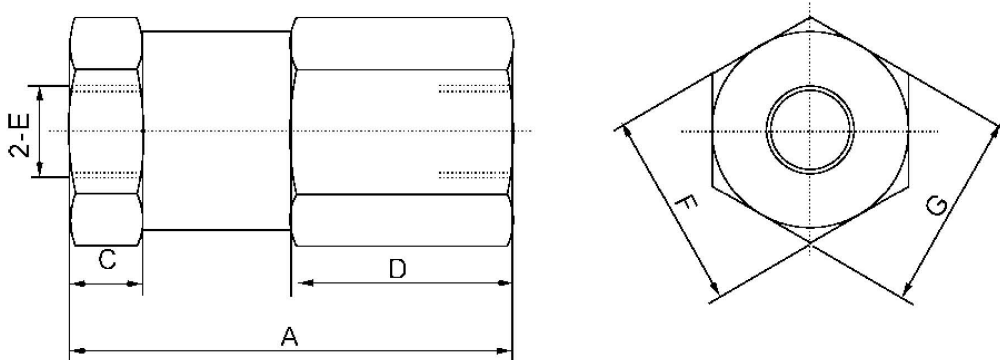
Pneumatic Control Valve

Check Valve

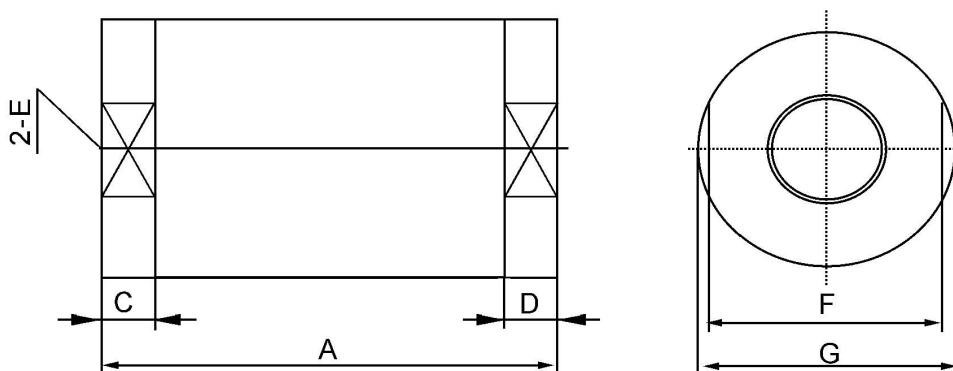
Technical Specification

Type	KA-06	KA-08	KA-10	KA-15	KA-20	KA-25
Fluid	Compressed Air					
Calibre Code	06	08	10	15	20	25
Port Size G	G1/8"	G1/4"	G3/8"	G1/2"	G3/4"	G1"
Operating Pressure Mpa	0.2~ 0.8					
Temperature Range	-5 ~ 60°C					

KA-06,08



KA-10, 15, 20, 25



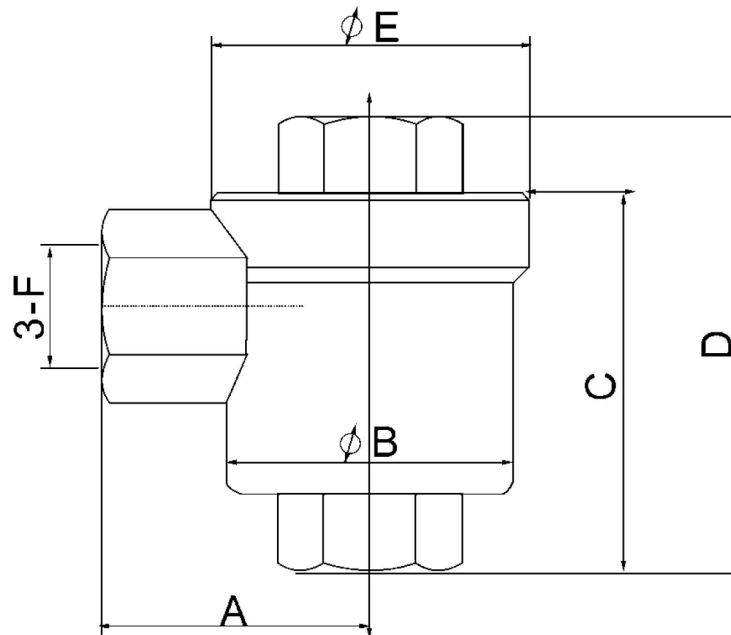
Pneumatic Control Valve

Flow Rate Control

Technical Specification

Type	SE-06	SE-08	SE-10	SE-15
Fluid	Compressed Air			
Calibre Code	06	08	10	15
Port Size G	G1/8"	G1/4"	G3/8"	G1/2"
Operating Pressure Mpa	0.2~ 0.8			
Temperature Range	-5 ~ 60°C			

SE-06, 08, 10, 15



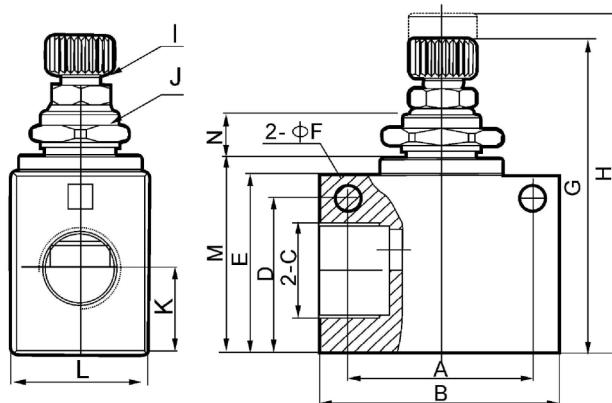
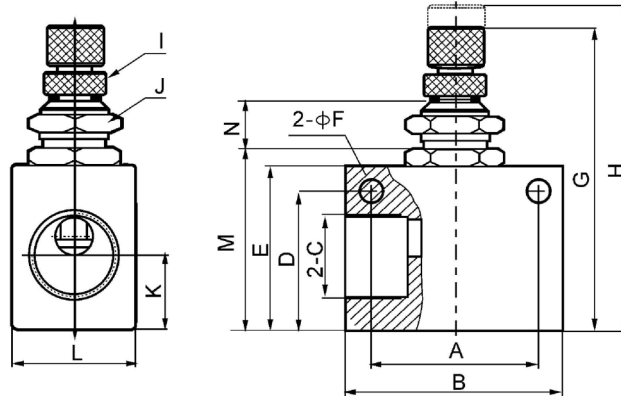
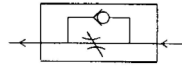
Pneumatic Control Valve

Flow Rate Control

Technical Specification

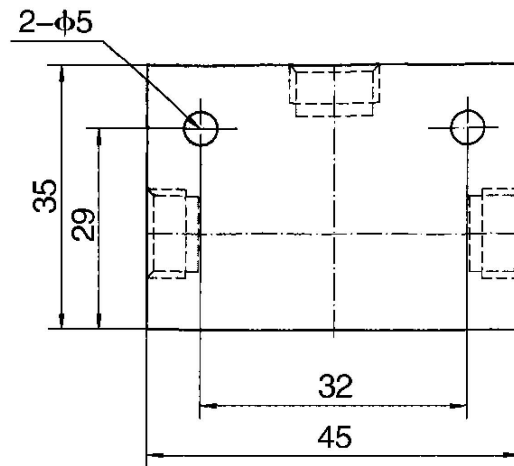
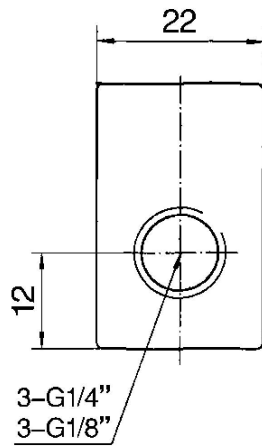
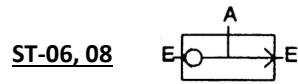
Type	KLA-06	KLA-08	KLA-10	KLA-15
Fluid	Compressed Air			
Port Size G	1/8"	1/4"	3/8"	1/2"
Operating Pressure Mpa	0.05~ 0.8			
Ambient Temperature °C	-5 ~ 60°C			
Material	Aluminium alloy			

KLA-06, 08, 10, 15



Pneumatic Control Valve

ST Shuttle Valve

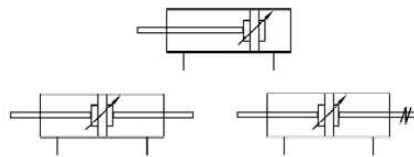


Pneumatic Cylinder

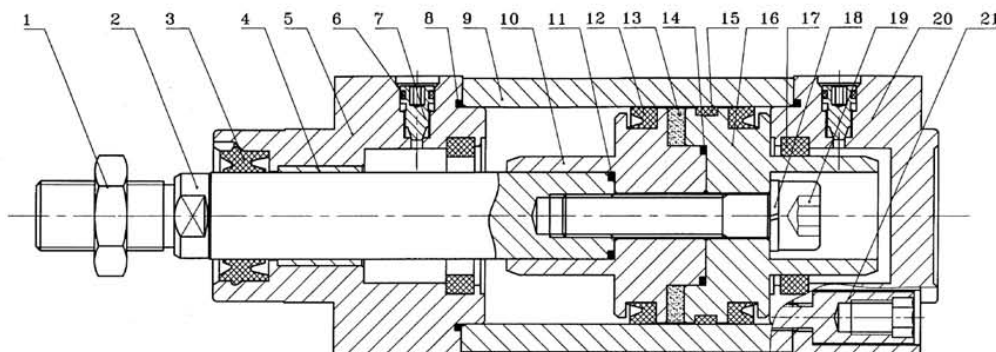
VDMA/ISO6431 Cylinder

Technical Specification

Type	32	40	50	63	80	100	125
Motion	Double Acting						
Series	DNC						
Fluid	Compressed Air						
Operating Pressure Mpa	0.1 ~ 1						
Operating Speed (mm/sec)	50 ~ 500						
Ambient Temperature (°C)	-10 ~ 70						
Cushion	Adjustable cushion at both ends						
Port Size (G)	1/8"	1/4"	3/8"		1/2"		



Inner Structure Drawing:

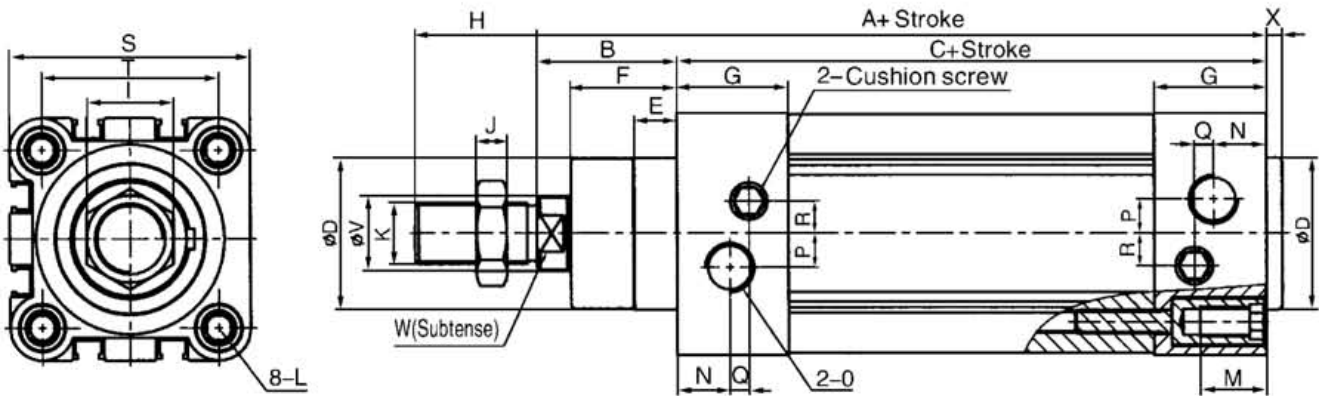


1	Hexagon nut	7	Cushion Adjustable Bolt	13	Magnet	19	Inner Hexagon Bolt
2	Piston Ring	8	O-ring	14	O-ring	20	Rear Cover
3	Compages Seal	9	Tube	15	Guard Seals	21	Cover Nut
4	Oiled Bearing	10	Piston 1	16	Piston 2		
5	Front Cover	11	O-ring	17	Compages Seal		
6	O-ring	12	Y seal	18	Spring Washer		

Pneumatic Cylinder

VDMA/ISO6431 Cylinder

DNC Series

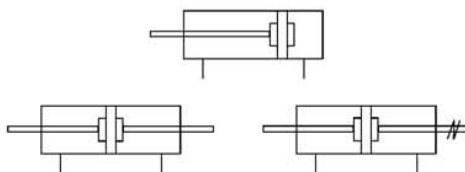


Pneumatic Cylinder

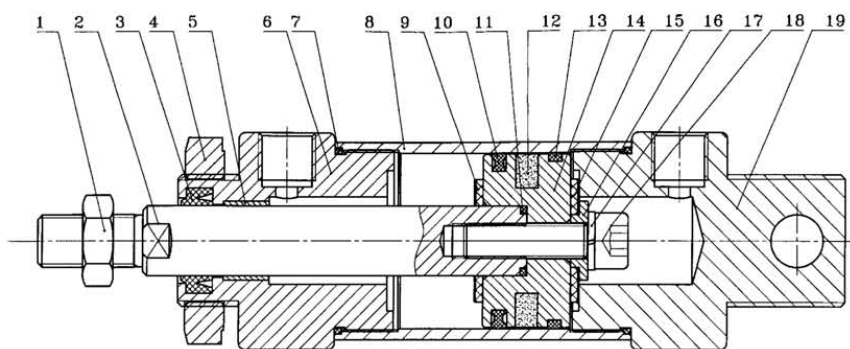
Aluminium Mini Cylinder

Technical Specification

Type	20	25	32	40
Motion	Double Acting			
Series	MAL			
Fluid	Compressed Air			
Operating Pressure Mpa	0.1 ~ 1			
Operating Speed (mm/sec)	50 ~ 500			
Ambient Temperature (°C)	-10 ~ 70			
Port Size	1/8"		1/4"	



Inner Structure Drawing:

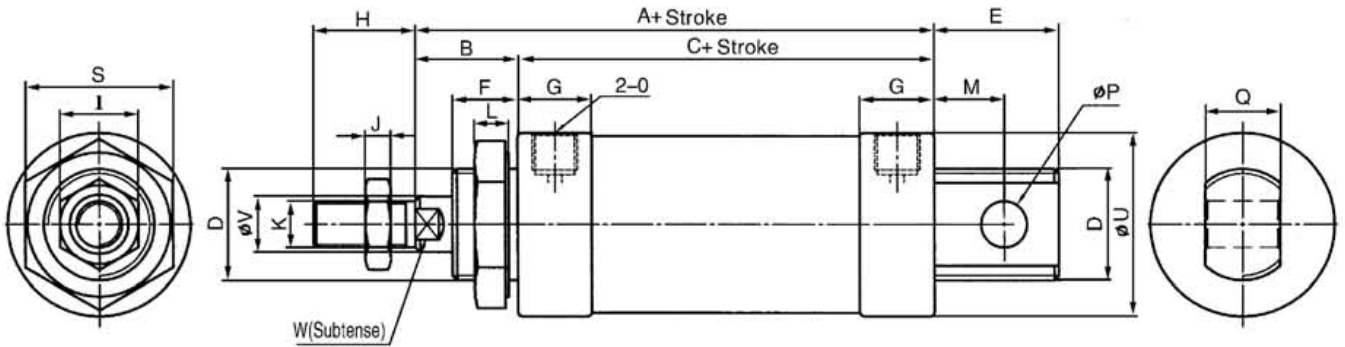


1	Hexagon nut	6	Front cover	11	O-ring	16	Washer
2	Piston Ring	7	O-ring	12	Magnet	17	Spring Washer
3	Compages Seal	9	Tube	13	Guard Seals	18	Inner Hexagon Bolt
4	Hexagon Nut	9	Crashworthy Washer	14	Piston	19	Rear Cover
5	Oiled Bearing	10	C-ring	15	Crashworthy Washer		

Pneumatic Cylinder

Aluminium Mini Cylinder

MAL Series

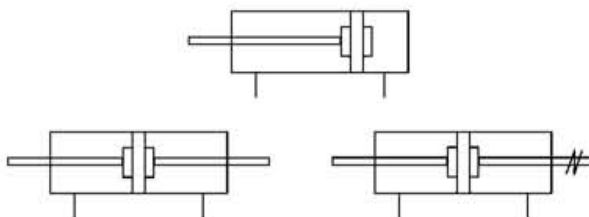


Pneumatic Cylinder

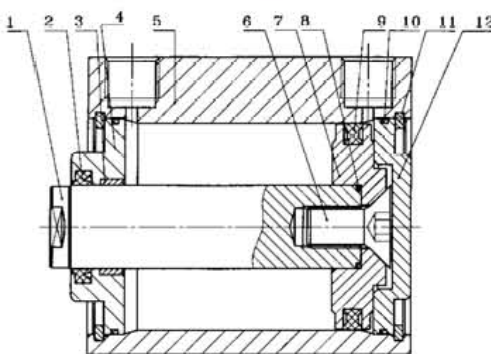
Thin Cylinder

Technical Specification

Type	12	16	20	25	32	40	50	63	80	100
Motion	Double Acting									
Series	SDA									
Fluid	Compressed Air									
Operating Pressure Mpa	0.1 ~ 0.9									
Operating Speed (mm/sec)	50 ~ 500									
Ambient Temperature (°C)	-10 ~ 70									
Port Size	M5			1/8"		1/4"		3/8"		



Inner Structure Drawing:

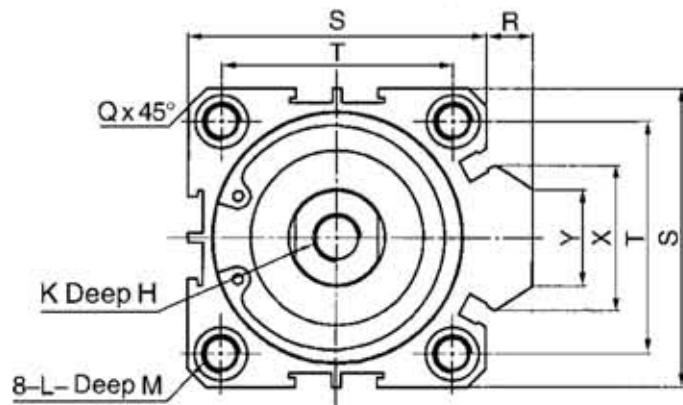
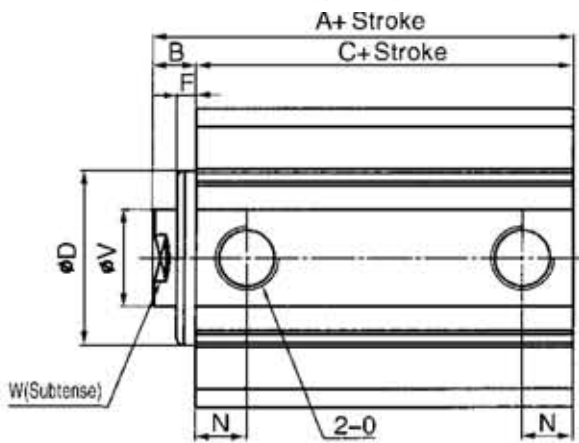
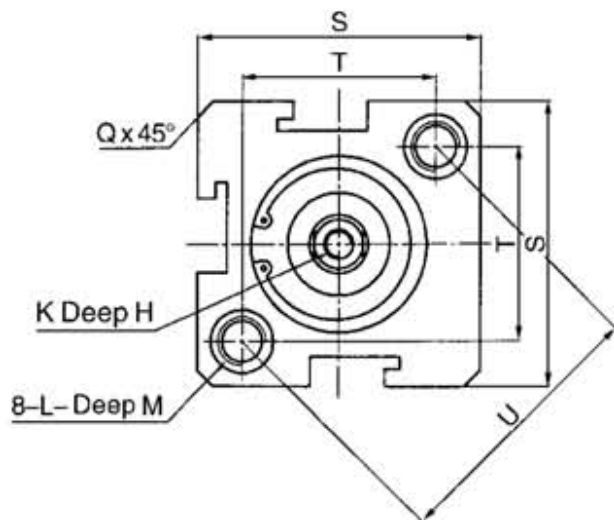
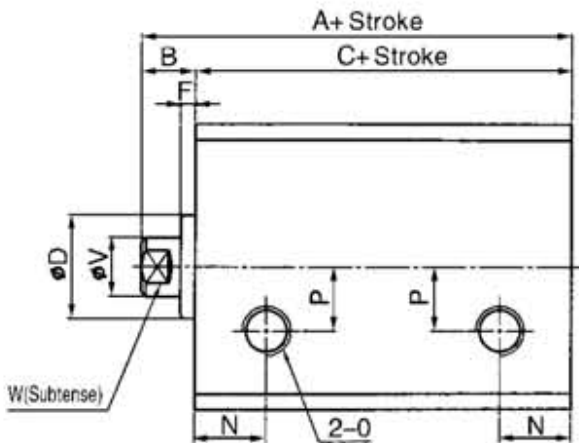


1	Piston Rod	7	Piston
2	Compages Seal	8	O-ring
3	Oiled Bearing	9	C-ring
4	Front Cover	10	O-ring
5	Tube	11	Springiness Washer
6	Inner Hexagon Bolt	12	Rear Cover

Pneumatic Cylinder

Thin Cylinder

SDA Series



Pneumatic Cylinder

Accessories Of Cylinder Joint

SG Type Y Joint



Fish Eye Joint

