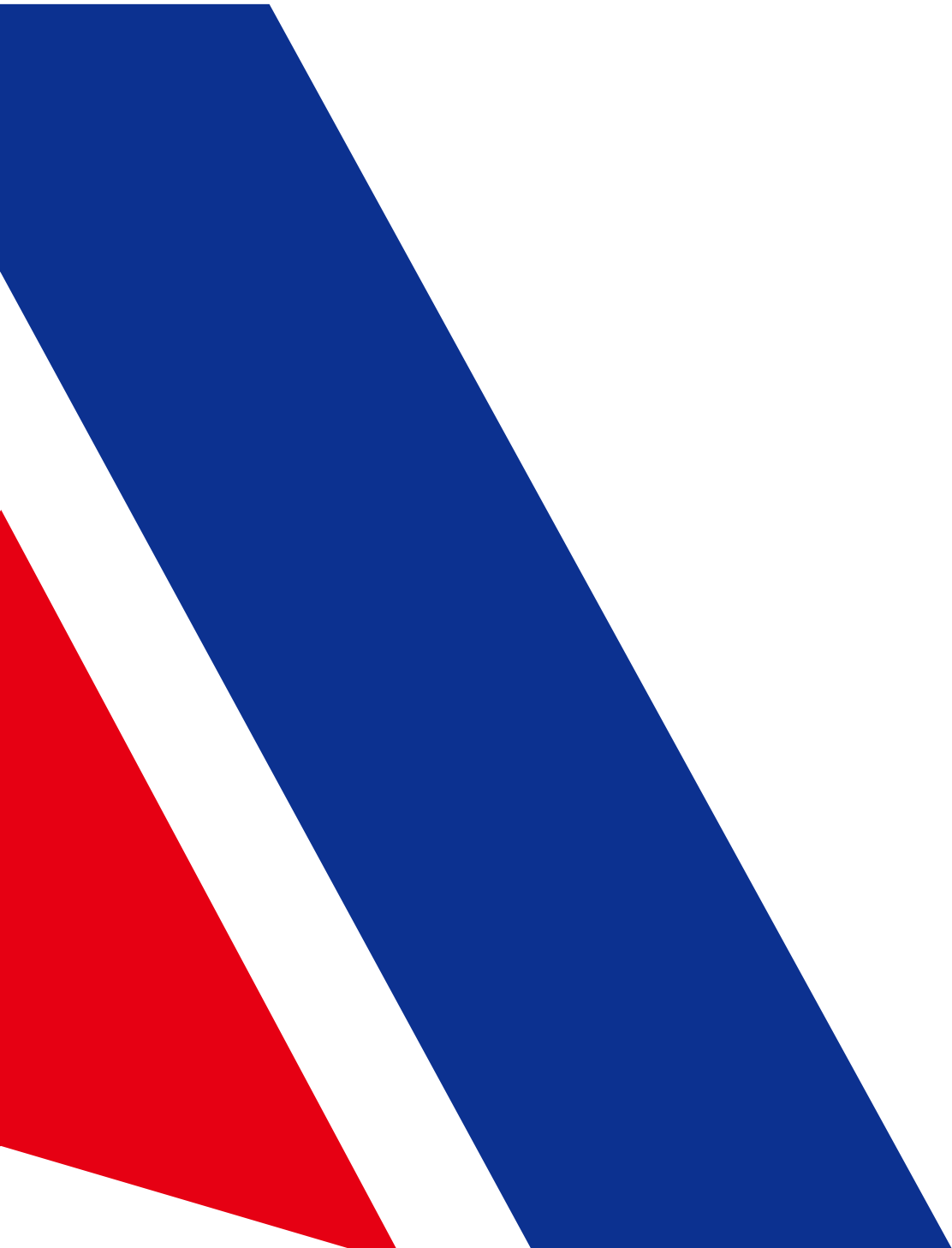


SONARAY[®]

Lighting everyone's dreams





MISSION



To create and contribute to a more intelligent and sustainable planet and a better human condition by offering innovative LED lighting solutions.

ORGANIZATION



SONARAY™ is one of the most progressive LED lighting brands in a field that demands stringent quality and technical expertise. Our combination of experienced engineering, innovative thinking, and the best in raw materials allow us to produce exceptional quality industrial and commercial luminaires.

We are inspired not only to produce quality products but to improve the human condition – at work and in society. Our commitment to a cleaner and greener world is evident in our development and manufacturing facilities in both China and the United States. We collaborate as a global company, seeking to draw upon the best minds in LED technology and product development worldwide. Our goal is to produce lighting that is energy efficient and long lasting with the ultimate mission of leaving an indelible footprint on the world of tomorrow.



CONTENTS



04

LIGHT BARS



04

HIGH BAYS



06

LOW BAYS



06

FLOOD LIGHTS



08

AREA LIGHTING



10

SPORTS LIGHTING



11

SOLAR LIGHTING



13

**STREET LIGHTING
& SHOEBOXES**



14

POLES



15

**LED PANELS
DOWNLIGHTS
WALL PACKS**



16

**HORTICULTURAL
LIGHTING**

LED LIGHT BAR / LED LINEAR HIGH BAY



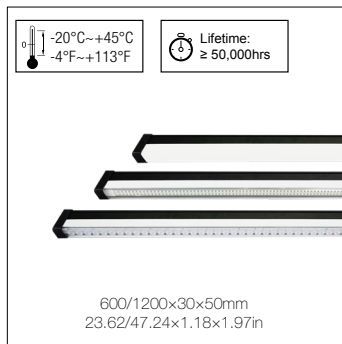
CCT: 3000K 4000K 5000K

MATRIX & MATRIX² LED LIGHT BAR



Model No.	Power (W)	Luminous Efficacy (lm/W)	Luminous Flux (lm)	Color Temperature (K)	CRI (Ra)	Beam Angle (°)	Input Voltage (V)	Length (mm/in)	Weight (kg/lb)
LB-1010A	10	102	1020	6000	≥80	93	100-277	600/23.62	1.2/2.65
LB-1018A	18	96	1728	6000	≥80	93	100-277	600/23.62	1.2/2.65
LB-1018B	18	106	1908	6000	≥80	93	100-277	1200/47.24	2/4.41
LB-1022B	22	101	2222	6000	≥80	93	100-277	1200/47.24	2/4.41
LB-1044B	44	101	4444	6000	≥80	93	100-277	1200/47.24	2/4.41
LB-1044B-W850LH	44	133	5852	5000	≥80	93	100-277	1200/47.24	2/4.41

*Note: DLC listing applies to LB-1044B-W850LH
Also available in 3' length, per special order. See LB-1022B for specs.



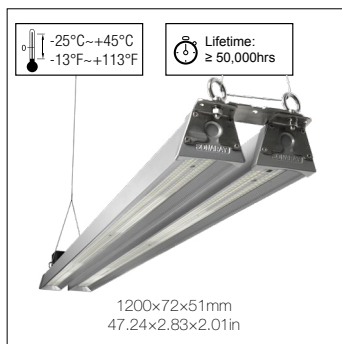
CCT: 3000K 4000K 5000K

OBI LED LIGHT BAR



Model No.	Power (W)	Diffuser	Luminous Efficacy (lm/W)	Luminous Flux (lm)	Color Temperature (K)	CRI (Ra)	Beam Angle (°)	Input Voltage (V)	Length (mm/in)	Weight (kg/lb)
LB-4030S-N850-LCD	30	Lens	112	3360	5000	≥80	30	100-277	600/23.62	0.91/2
LB-4030S-M850-LCD	30	Lens	110	3300	5000	≥80	60	100-277	600/23.62	0.91/2
LB-4030S-VW850-LFD	30	Frosted	147	4410	5000	≥80	110	100-277	600/23.62	0.91/2
LB-4030S-VW850-LCD	30	Clear	162	4860	5000	≥80	130	100-277	600/23.62	0.91/2
LB-4030M-VW850-LFD	30	Frosted	147	4410	5000	≥80	110	100-277	1200/47.24	1.59/3.51
LB-4030M-VW850-LCD	30	Clear	162	4860	5000	≥80	130	100-277	1200/47.24	1.59/3.51
LB-4050M-N850-LCD	50	Lens	115	5750	5000	≥80	30	100-277	1200/47.24	1.59/3.51
LB-4050M-M850-LCD	50	Lens	110	5500	5000	≥80	60	100-277	1200/47.24	1.59/3.51
LB-4050M-VW850-LFD	50	Frosted	143	7150	5000	≥80	110	100-277	1200/47.24	1.59/3.51
LB-4050M-VW850-LCD	50	Clear	160	8000	5000	≥80	130	100-277	1200/47.24	1.59/3.51
LB-4060M-N850-LCD	60	Lens	110	6600	5000	≥80	30	100-277	1200/47.24	1.59/3.51
LB-4060M-M850-LCD	60	Lens	105	6300	5000	≥80	60	100-277	1200/47.24	1.59/3.51
LB-4060M-VW850-LFD	60	Frosted	141	8460	5000	≥80	110	100-277	1200/47.24	1.59/3.51
LB-4060M-VW850-LCD	60	Clear	159	9540	5000	≥80	130	100-277	1200/47.24	1.59/3.51

*Note: Also available in 3' and 6' lengths, per special order.



CCT: 3000K 4000K 5000K

LINEAR LED HIGH BAY



Model No.	Power (W)	Luminous Efficacy (lm/W)	Luminous Flux (lm)	Color Temperature (K)	CRI (Ra)	Beam Angle (°)	Input Voltage (V)	Length (mm/in)	Weight (kg/lb)
LB-5125	125	137	17,125	5000	≥80	60° x 120°	100-277	1200/48	2.4/5.28
LB-5250	250	137	34,250	5000	≥80	60° x 120°	100-277	1200/48	5.1/11.22
LB-5375	375	137	51,375	5000	≥80	60° x 120°	100-277	1200/48	7.5/16.5
LB-5500	500	137	68,500	5000	≥80	60° x 120°	100-277	1200/48	9.4/20.68



CCT: 3000K 4000K 5000K

LUMAWEDGE LED HIGH BAY



Model No.	Power (W)	Luminous Efficacy (lm/W)	Luminous Flux (lm)	Color Temperature (K)	CRI (Ra)	Beam Angle (°)	Input Voltage (V)	Fixture Height (mm/in)	Weight (kg/lb)
HB-5090	90	160	14,400	5000	≥80	80	100-277	159/6.3	2.37/5.2
HB-5135	135	161	21,753	5000	≥80	80	100-277	159/6.3	3/6.6
HB-5180	180	160	28,800	5000	≥80	80	100-277	159/6.3	3.35/7.4
HB-5260	260	159	41,340	5000	≥80	80	100-277	159/6.3	4.5/9.9



CCT: 3000K 4000K 5000K

ICE BREAKER LED HIGH BAY



Model No.	Power (W)	Luminous Efficacy (lm/W)	Luminous Flux (lm)	Color Temperature (K)	CRI (Ra)	Beam Angle (°)	Input Voltage (V)	Fixture Height (mm/in)	Weight (kg/lb)
HB-2085LW	85	116	9860	5000	≥70	100	100-277	369/14.53	3.7/8.16
HB-2100LW	100	122	12,484	5000	≥70	100	100-277	389/15.3	4/8.82



CCT: 3000K 4000K 5000K

ICE BREAKER LED HIGH BAY



Model No.	Power (W)	Luminous Efficacy (lm/W)	Luminous Flux (lm)	Color Temperature (K)	CRI (Ra)	Beam Angle (°)	Input Voltage (V)	Fixture Height (mm/in)	Weight (kg/lb)
HB-2150LW	150	114	17,175	5000	≥70	100	100-240/277	397/15.63	5.2/11.46
HB-220LW	200	117	23,542	5000	≥70	100	100-240/277	422/16.61	6.2/13.67
HB-2250LW	250	111	27,840	5000	≥70	100	100-240/277	456/17.95	8.4/18.52

Accessories for High Bays

Accessories	Item No.	Compatible Models
Empire reflector	HB-2000A-V	HB-2000LW full series
Bell-shaped reflector	HB-2000A-W	HB-2000LW full series
Clear reflector	HB-2000L-A	HB-2000LW full series

Accessories	Item No.	Compatible Models
Diffuser With (1) cover ring	HB-2000A-G	HB-2000A-V
Metal Chain	HB-2000A-I	ø 4 mm, Made of iron, chromate finishing, customized length
Removable Link	HB-2000A-J	ø 5mm, Made of iron, chromate finishing
Motion Sensor	HB-2000A-MS	HB-2000LW full series LB-4000 full series

LED HIGH BAY / LED LOW BAY / LED FLOOD LIGHT



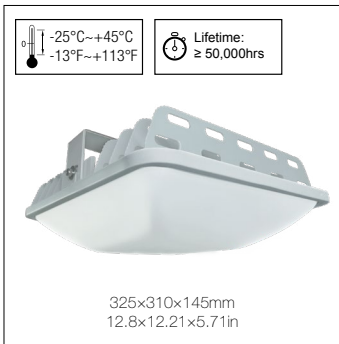
CCT: 3000K 4000K 5000K

DELTA LED HIGH BAY (EIS[®])



Model No.	Power (W)	Luminous Efficacy (lm/W)	Luminous Flux (lm)	Color Temperature (K)	CRI (Ra)	Beam Angle (°)	Input Voltage (V)	Weight (kg/lb)
HB-3150A	150	136	20,400	5000	≥80	60	100-277	5/11.02
HB-3150A	150	136	20,400	5000	≥80	90	100-277	5/11.02
HB-3150A	150	136	20,400	5000	≥80	120	100-277	5/11.02
HB-3250A	250	137	34,250	5000	≥80	60	100-277	9.7/21.38
HB-3250A	250	137	34,250	5000	≥80	90	100-277	9.7/21.38
HB-3250A	250	137	34,250	5000	≥80	120	100-277	9.7/21.38

*Note: Easy Interchange System (EIS), is our "plug and use" removable power supply design that makes maintenance simple and easy. It takes 5 minutes to replace a driver and requires only a screwdriver. You can greatly reduce maintenance costs and truly enhance the lifetime of the fixture at minimal cost.



CCT: 3000K 4000K 6000K

DELTA LED LOW BAY



Model No.	Diffuser	Power (W)	Luminous Efficacy (lm/W)	Luminous Flux (lm)	Color Temperature (K)	CRI (Ra)	Beam Angle (°)	Input Voltage (V)	Weight (kg/lb)
LW-1040	Clear	40	135	5400	6000	≥80	120	100-277	3.2/7.05
LW-1060	Clear	60	135	8100	6000	≥80	120	100-277	3.2/7.05
LW-1080	Clear	80	135	10,800	6000	≥80	120	100-277	3.5/7.42
LW-1040	Matte	40	115	4600	6000	≥80	120	100-277	3.2/7.05
LW-1060	Matte	60	115	6900	6000	≥80	120	100-277	3.2/7.05
LW-1080	Matte	80	115	9200	6000	≥80	120	100-277	3.5/7.42

*Note: DLC listing applies to LW-1060.



CCT: 3000K 4000K 6000K

DELTA LED LINEAR LOW BAY



Model No.	Power (W)	Luminous Efficacy (lm/W)	Luminous Flux (lm)	Color Temperature (K)	CRI (Ra)	Beam Angle (°)	Input Voltage (V)	Weight (kg/lb)
LWL-1040	40	115	4600	6000	≥80	120	100-277	3.3/7.28
LWL-1060	60	115	6900	6000	≥80	120	100-277	3.3/7.28
LWL-1080	80	115	9200	6000	≥80	120	100-277	3.3/7.28

*Note: UL listing applies to LWL-1080.



CCT: 3000K 4000K 5000K

DELTA LED FLOOD LIGHT



Model No.	Power (W)	Luminous Efficacy (lm/W)	Luminous Flux (lm)	Color Temperature (K)	CRI (Ra)	Beam Angle (°)	Input Voltage (V)	Weight (kg/lb)
FL-3030	30	115	3450	5000	≥80	120	100-277	1.2/2.65
FL-3040	40	115	4600	5000	≥80	60	100-277	2.4/5.29
FL-3040	40	115	4600	5000	≥80	90	100-277	2.4/5.29
FL-3040	40	115	4600	5000	≥80	120	100-277	2.4/5.29

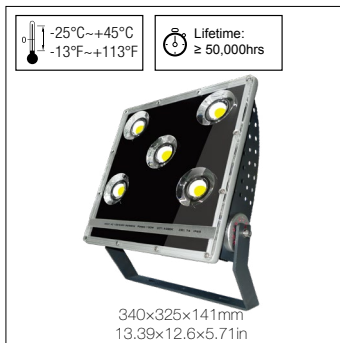


CCT: 3000K 4000K 5000K

DELTA LED FLOOD LIGHT



Model No.	Power (W)	Luminous Efficacy (lm/W)	Luminous Flux (lm)	Color Temperature (K)	CRI (Ra)	Beam Angle (°)	Input Voltage (V)	Weight (kg/lb)
FL-3060	60	141	8460	5000	≥80	60	100-277	2.48/5.47
FL-3060	60	141	8460	5000	≥80	90	100-277	2.48/5.47
FL-3060	60	141	8460	5000	≥80	120	100-277	2.48/5.47



CCT: 3000K 4000K 5000K

DELTA LED FLOOD LIGHT



Model No.	Power (W)	Luminous Efficacy (lm/W)	Luminous Flux (lm)	Color Temperature (K)	CRI (Ra)	Beam Angle (°)	Input Voltage (V)	Weight (kg/lb)
FL-3100A	100	140	14,000	5000	≥80	30	100-277	5.4/11.9
FL-3100A	100	140	14,000	5000	≥80	60	100-277	5.4/11.9
FL-3100A	100	140	14,000	5000	≥80	90	100-277	5.4/11.9
FL-3150A	150	129	19,350	5000	≥80	90	100-277	5.4/11.9
FL-3150A	150	129	19,350	5000	≥80	60	100-277	5.4/11.9
FL-3150A	150	129	19,350	5000	≥80	90	100-277	5.4/11.9



CCT: 3000K 4000K 5000K

DELTA LED FLOOD LIGHT



Model No.	Power (W)	Luminous Efficacy (lm/W)	Luminous Flux (lm)	Color Temperature (K)	CRI (Ra)	Beam Angle (°)	Input Voltage (V)	Weight (kg/lb)
FL-3250	250	139	34,750	5000	≥80	60	100-277	9/19.84
FL-3250	250	139	34,750	5000	≥80	90	100-277	9/18.84
FL-3250	250	139	34,750	5000	≥80	120	100-277	9/18.84

*Note: Also available with 347-480V.



CCT: 3000K 4000K 5000K

DELTA LED FLOOD LIGHT



Model No.	Power (W)	Luminous Efficacy (lm/W)	Luminous Flux (lm)	Color Temperature (K)	CRI (Ra)	Beam Angle (°)	Input Voltage (V)	Weight (kg/lb)
FL-3520	520	142	73,840	5000	≥80	70	100-277	23/50.71
FL-3520	520	142	73,840	5000	≥80	90	100-277	23/50.71
FL-3520	520	142	73,840	5000	≥80	120	100-277	23/50.71

*Note: Also available with 347-480V.

LED FLOOD LIGHT / LED AREA LIGHTING



CCT: 3000K 4000K 5000K

EPSILON LED AREA LIGHTING

UL US CE IP65 IK08

Model No.	Power (W)	Luminous Efficacy (lm/W)	Luminous Flux (lm)	Color Temperature (K)	CRI (Ra)	Beam Angle (°)	Input Voltage (V)	Weight (kg/lb)
FL-3250N	250	123	31,000	5000	≥80	18	100-277	8.7/19.18
FL-3250N	250	119	29,835	5000	≥80	28	100-277	8.7/19.18
FL-3250N	250	120	30,189	5000	≥80	40	100-277	8.7/19.18

*Note: Also available with 347-480V.



CCT: 3000K 4000K 5000K

EPSILON LED AREA LIGHTING

UL US CE IP65 IK08

Model No.	Power (W)	Luminous Efficacy (lm/W)	Luminous Flux (lm)	Color Temperature (K)	CRI (Ra)	Beam Angle (°)	Input Voltage (V)	Weight (kg/lb)
FL-3520N	520	124	59,368	5000	≥80	18	100-277	21.3/48.98
FL-3520N	520	120	57,258	5000	≥80	28	100-277	21.3/48.98
FL-3520N	520	120	57,292	5000	≥80	40	100-277	21.3/48.98

*Note: Also available with 347-480V.



CCT: 3000K 4000K 5000K

EPSILON LED AREA LIGHTING

UL US CE IP65 IK08

Model No.	Power (W)	Luminous Efficacy (lm/W)	Luminous Flux (lm)	Color Temperature (K)	CRI (Ra)	Beam Angle (°)	Input Voltage (V)	Weight (kg/lb)
FL-41000N	1000	120	120,702	5000	≥80	18	100-277	44.2/97.44
FL-41000N	1000	119	119,557	5000	≥80	28	100-277	44.2/97.44
FL-41000N	1000	119	119,984	5000	≥80	40	100-277	44.2/97.44

*Note: Also available with 347-480V.



CCT: 3000K 4000K 5000K Red

NAMI & RED NAMI LED FLOOD LIGHT

ETL US IP65 IK09

Model No.	Power (W)	Luminous Efficacy (lm/W)	Luminous Flux (lm)	Color Temperature (K)	CRI (Ra)	Beam Angle (°)	Input Voltage (V)	Weight (kg/lb)
FL-5090	90	114	10,072	5000	≥70	12	100-277	5.5/12.13
FL-5090	90	96	8923	5000	≥80	100	100-277	5.5/12.13
FL-5090	90	-	994	Red	620nm	100	100-277	5.5/12.13
FL-5130	130	105	13,555	5000	≥70	12	100-277	5.5/12.13
FL-5130	130	103	13,375	5000	≥80	100	100-277	5.5/12.13
FL-5130	130	-	1194	Red	620nm	100	100-277	5.5/12.13

*Note: "Red" CCT is a fixture that emits a narrower wavelength range, with the dominant wavelength 620nm and peak at 632nm. Furthermore, due to the narrower spectrum the luminous output is less than a more typical full spectrum output.

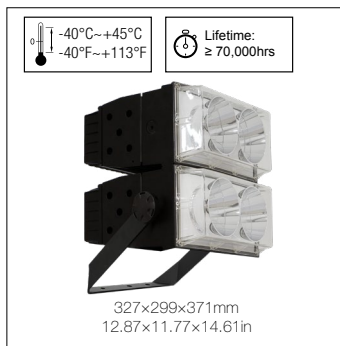


CCT: 3000K 4000K 5000K

EXPLORER LED AREA LIGHTING (VAC)



Model No.	Power (W)	Luminous Efficacy (lm/W)	Luminous Flux (lm)	Color Temperature (K)	CRI (Ra)	Beam Angle (°)	Input Voltage (V)	Weight (kg/lb)
FL-5080	80	99	8152	5000	≥80	8	AC120-277	6/13.23
FL-5080	80	135	10,720	5000	≥70	17	AC120-277	6/13.23
FL-5080	80	141	11,160	5000	≥70	34	AC120-277	6.1/13.45
FL-5080	80	120	9705	5000	≥70	62	AC120-277	6.1/13.45
FL-5080	80	156	12,238	5000	≥70	88	AC120-277	6.2/13.67
FL-5160	160	77	12,464	5000	≥80	8	AC120-277	6.5/14.33
FL-5160	160	122	19,195	5000	≥70	17	AC120-277	6.5/14.33
FL-5160	160	129	20,313	5000	≥70	34	AC120-277	6.6/14.55
FL-5160	160	110	17,384	5000	≥70	62	AC120-277	6.6/14.55
FL-5160	160	141	22,248	5000	≥70	88	AC120-277	6.7/14.77



CCT: 3000K 4000K 5000K

EXPLORER LED AREA LIGHTING



Model No.	Power (W)	Luminous Efficacy (lm/W)	Luminous Flux (lm)	Color Temperature (K)	CRI (Ra)	Beam Angle (°)	Input Voltage (V)	Weight (kg/lb)
FL-5320	320	77	24,412	5000	≥80	8	120-277	13/28.66
FL-5320	320	121	38,226	5000	≥70	17	120-277	13/28.66
FL-5320	320	128	40,434	5000	≥70	34	120-277	13.2/29.1
FL-5320	320	107	33,835	5000	≥70	62	120-277	13.2/29.1
FL-5320	320	137	43,840	5000	≥70	88	120-277	13.4/29.54

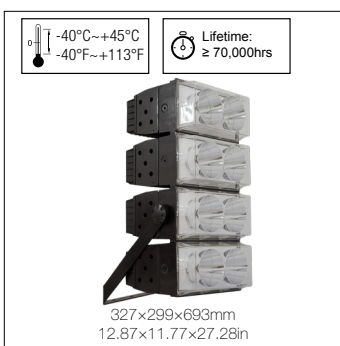


CCT: 3000K 4000K 5000K

EXPLORER LED AREA LIGHTING



Model No.	Power (W)	Luminous Efficacy (lm/W)	Luminous Flux (lm)	Color Temperature (K)	CRI (Ra)	Beam Angle (°)	Input Voltage (V)	Weight (kg/lb)
FL-5480	480	76	36,141	5000	≥80	8	120-277	19.5/42.99
FL-5480	480	121	57,256	5000	≥70	17	120-277	19.5/42.99
FL-5480	480	127	60,586	5000	≥70	34	120-277	19.8/43.65
FL-5480	480	107	50,865	5000	≥70	62	120-277	19.8/43.65
FL-5480	480	134	63,476	5000	≥70	88	120-277	20.1/44.31



CCT: 3000K 4000K 5000K

EXPLORER LED AREA LIGHTING



Model No.	Power (W)	Luminous Efficacy (lm/W)	Luminous Flux (lm)	Color Temperature (K)	CRI (Ra)	Beam Angle (°)	Input Voltage (V)	Weight (kg/lb)
FL-5640	640	76	48,241	5000	≥80	8	120-277	26/57.32
FL-5640	640	121	77,375	5000	≥70	17	120-277	26/57.32
FL-5640	640	126	80,693	5000	≥70	34	120-277	26.4/58.2
FL-5640	640	106	67,587	5000	≥70	62	120-277	26.4/58.2
FL-5640	640	133	84,430	5000	≥70	88	120-277	26.8/59.08

LED SPORTS LIGHTING



CCT: 3000K 4000K 5000K

FLARE LED SPORTS LIGHTING

UL US CE IP65 IK08

Model No.	Power (W)	Luminous Efficacy (lm/W)	Luminous Flux (lm)	Color Temperature (K)	CRI (Ra)	Beam Angle (°)	Input Voltage (V)	Weight (kg/lb)
SL-6500D	500	124	62,000	5000	≥70	22	100-277	11.7/25.79
SL-6500D	500	127	63,500	5000	≥70	44	100-277	11.7/25.79

*Note: Also available with 347-480V. Remote driver option available.

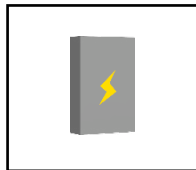
Options



SHIELD COVER
Item No.: FL-6000-A01



LASER SIGHT
Item No.: FL-6000-A02



ELECTRICAL BOX
Item No.: FL-6000-A03



GATEWAY
Item No.: FL-6000-A04



CONTROLLER
Item No.: FL-6000-A05



STAINLESS STEEL CONDUIT
Item No.: FL-6000-A06



CCT: 3000K 4000K 5000K

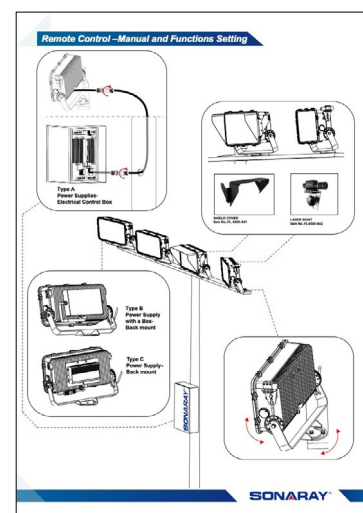
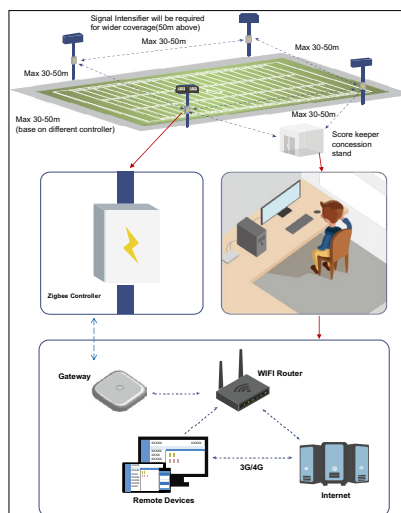
EPSILON LED SPORTS LIGHTING

UL US CE IP65 IK08

Model No.	Power (W)	Luminous Efficacy (lm/W)	Luminous Flux (lm)	Color Temperature (K)	CRI (Ra)	Beam Angle (°)	Input Voltage (V)	Weight (kg/lb)
FL-41000N	1000	120	120,702	5000	≥80	18	100-277	44.2/97.44
FL-41000N	1000	119	119,557	5000	≥80	28	100-277	44.2/97.44
FL-41000N	1000	119	119,984	5000	≥80	40	100-277	44.2/97.44

*Note: Also available with 347-480V. Remote driver option available.

Check out our Guide to Sports Lighting for more information on our sports lighting options, including: luminaire specs, wireless control system, and pole and mounting options.





CCT: 5000K

ALL-IN-ONE SOLAR LED STREET LUMINAIRE

IP65 IK09

Model No.	Luminaire Power (W)	Solar Panel Power (W)	Luminous Efficacy (lm/W)	Luminous Flux (lm)	Color Temperature (K)	CRI (Ra)	Beam Angle (°)	Weight (kg/lb)
SR-2050	50	55	100	5000	5000	≥70	150°(H) × 70°(V)	33/15

*Lighting Duration: 10hrs
 **Time to fully charge: 8hrs

Note: *The duration refers to the time for which the luminaire could work continually with the battery fully charged.
 ** The time refers to the duration in which the battery could be fully charged under sufficient illumination of the solar panel.



CCT: 3000K 4000K 6000K

SUNBRITE SOLAR LED LUMINAIRE

IP65 IK09

Model No.	Luminaire Power (W)	Solar Panel Power (Wp)	Luminous Efficacy (lm/W)	Luminous Flux (lm)	Color Temperature (K)	CRI (Ra)	Beam Angle (°)	Solar Panel Weight (kg/lb)	Luminaire Weight (kg/lb)
SR-3030	30	65	145	4350	5000	≥70	65° × 135°	5/11	12/26.5
SR-3048	48	100	145	6960	5000	≥70	65° × 135°	5/11	12/26.5
SR-3080	80	160	145	11,600	5000	≥70	65° × 135°	18/39.7	12/26.5

*Lighting Duration: 12hrs
 **Time to fully charge: 5hrs

Note: *The duration refers to the time for which the luminaire could work continually with the battery fully charged.
 ** The time refers to the duration in which the battery could be fully charged under sufficient illumination of the solar panel.



CCT: 5000K

SOLAR OBI LIGHT BAR (with SOLAR PANEL)

IP69K IK09

Model No.	Luminaire Power (W)	Solar Panel Power (W)	Luminous Efficacy (lm/W)	Luminous Flux (lm)	Color Temperature (K)	CRI (Ra)	Beam Angle (°)	Solar Panel Weight (kg/lb)	Luminaire Weight (kg/lb)	Length (ft)
SLB-4030S	30	70	112	3360	5000	≥80	30	4/8.8	0.9/2	2
SLB-4030S	30	70	147	4410	5000	≥80	110	4/8.8	0.9/2	2
SLB-4030M	30	70	112	3360	5000	≥80	30	4/8.8	1.36/3	4
SLB-4030M	30	70	147	4410	5000	≥80	110	4/8.8	1.36/3	4
SLB-4050M	50	175	115	5750	5000	≥80	30	10.2/22.5	1.36/3	4
SLB-4050M	50	175	143	7150	5000	≥80	110	10.2/22.5	1.36/3	4

*Lighting Duration: 19hrs
 **Time to fully charge: 6hrs

Note: *The duration refers to the time for which the luminaire could work continually with the battery fully charged.
 ** The time refers to the duration in which the battery could be fully charged under sufficient illumination of the solar panel.



CCT: 5000K

SOLAR NEO3 FLOOD LIGHT (with SOLAR PANEL)

IP65 IK09

Model No.	Luminaire Power (W)	Solar Panel Power (W)	Luminous Efficacy (lm/W)	Luminous Flux (lm)	Color Temperature (K)	CRI (Ra)	Beam Angle (°)	Solar Panel Weight (kg/lb)	Luminaire Weight (kg/lb)
SFL-5040	40	100	140	5600	5000	≥80	100	6.5/14.3	2.54/5.6
SFL-5060	60	175	140	8400	5000	≥80	100	10.2/22.5	3.2/7.1

*Lighting Duration: 19hrs
 **Time to fully charge: 7hrs

Note: *The duration refers to the time for which the luminaire could work continually with the battery fully charged.
 ** The time refers to the duration in which the battery could be fully charged under sufficient illumination of the solar panel.

LED SOLAR LUMINAIRES



CCT: 5000K

DELTA SOLAR LED STREET LUMINAIRE

IP65 IK07

Model No.	Luminaire Power (W)	Solar Panel Power (W)	Luminous Efficacy (lm/W)	Luminous Flux (lm)	Color Temperature (K)	CRI (Ra)	Beam Angle (°)	Solar Panel Weight (kg/lb)	Luminaire Weight (kg/lb)
SR-1030	30	60	106	3180	5000	≥80	120	4/8.82	2.59/5.71

*Lighting Duration: 30hrs
**Time to fully charge: 8hrs

Note: *The duration refers to the time for which the luminaire could work continually with the battery fully charged.
** The time refers to the duration in which the battery could be fully charged under sufficient illumination of the solar panel.



CCT: 5000K

DELTA SOLAR LED STREET LUMINAIRE

IP65 IK08

Model No.	Luminaire Power (W)	Solar Panel Power (W)	Luminous Efficacy (lm/W)	Luminous Flux (lm)	Color Temperature (K)	CRI (Ra)	Beam Angle (°)	Solar Panel Weight (kg/lb)	Luminaire Weight (kg/lb)
SR-1048	48	90	78	3744	5000	≥80	145°(H) × 65°(V)	14/30.86	2/4.41

*Lighting Duration: 40hrs
**Time to fully charge: 9hrs

Note: *The duration refers to the time for which the luminaire could work continually with the battery fully charged.
** The time refers to the duration in which the battery could be fully charged under sufficient illumination of the solar panel.



CCT: 5000K

DELTA SOLAR LED STREET LUMINAIRE

IP65 IK08

Model No.	Luminaire Power (W)	Solar Panel Power (W)	Luminous Efficacy (lm/W)	Luminous Flux (lm)	Color Temperature (K)	CRI (Ra)	Beam Angle (°)	Solar Panel Weight (kg/lb)	Luminaire Weight (kg/lb)
SR-1080	80	150	105	8400	5000	≥80	145°(H) × 65°(V)	18/39.68	4/8.82

*Lighting Duration: 40hrs
**Time to fully charge: 9hrs

Note: *The duration refers to the time for which the luminaire could work continually with the battery fully charged.
** The time refers to the duration in which the battery could be fully charged under sufficient illumination of the solar panel.



CCT: 6000K

INTEGRATED SOLAR LED LUMINAIRE

IP65 IK09

Model No.	Luminaire Power (W)	Solar Panel Power (W)	Luminous Efficacy (lm/W)	Luminous Flux (lm)	Color Temperature (K)	CRI (Ra)	Beam Angle (°)	Weight (kg/lb)
SR-1010	10	20	100	1000	6000	≥80	120	4.7/10.36

*Lighting Duration: 17hrs
**Time to fully charge: 7~8hrs

Note: *The duration refers to the time for which the luminaire could work continually with the battery fully charged.
** The time refers to the duration in which the battery could be fully charged under sufficient illumination of the solar panel.



CCT: 4000K 5000K

LED SHOEBOX with NEMA CONNECTORS

cUL US IP66 IK08

Model No.	Power (W)	Luminous Efficacy (lm/W)	Luminous Flux (lm)	Color Temperature (K)	CRI (Ra)	Beam Angle (°)	Input Voltage (V)	Weight (kg/lb)
ST-6150	150	160	24,000	5000	≥70	Type III	100-277	
ST-6300	300	160	48,000	5000	≥70	Type III	100-277	

Note: 3- or 7-pin NEMA base options available.



CCT: 5000K

LED SHOEBOX

DLC cUL US IP65 IK08

Model No.	Power (W)	Luminous Efficacy (lm/W)	Luminous Flux (lm)	Color Temperature (K)	CRI (Ra)	Beam Angle (°)	Input Voltage (V)	Weight (kg/lb)
ST-5150	150	130	19,500	5000	≥70	Type III	100-277	
ST-5300	300	130	39,000	5000	≥70	Type III	100-277	



CCT: 3000K 4000K 5000K

DELTA LED STREET LIGHT (EIS[®])

cUL US CE IP65 IK08

Model No.	Power (W)	Luminous Efficacy (lm/W)	Luminous Flux (lm)	Color Temperature (K)	CRI (Ra)	Beam Angle (°)	Input Voltage (V)	Weight (kg/lb)
ST-2060A	60	115	6900	5000	≥80	145°(H) × 65°(V)	100-277	3.9/8.6
ST-2120A	120	115	13,800	5000	≥80	145°(H) × 65°(V)	100-277	5.2/11.46
ST-2200A	200	115	23,000	5000	≥80	145°(H) × 65°(V)	100-277	8.1/17.86



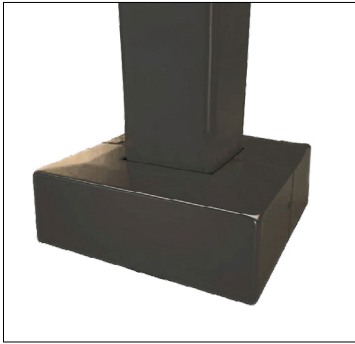
CCT: 3000K 4000K 5000K

DELTA LED STREET LIGHT (EIS[®])

cUL US CE IP65 IK08

Model No.	Power (W)	Luminous Efficacy (lm/W)	Luminous Flux (lm)	Color Temperature (K)	CRI (Ra)	Beam Angle (°)	Input Voltage (V)	Weight (kg/lb)
ST-3060A	60	115	6900	5000	≥80	145°(H) × 65°(V)	100-277	3.9/8.6
ST-3090A	90	115	10,350	5000	≥80	145°(H) × 65°(V)	100-277	6.3/13.89
ST-3120A	120	115	13,800	5000	≥80	145°(H) × 65°(V)	100-277	6.3/13.89
ST-3200A	200	115	23,000	5000	≥80	145°(H) × 65°(V)	100-277	9.7/21.36

*Note: Easy Interchange System (EIS), is our "plug and use" removable power supply design that makes maintenance simple and easy. It takes 5 minutes to replace a driver and requires only a screwdriver. You can greatly reduce maintenance costs and truly enhance the lifetime of the fixture at minimal cost.



SQUARE STEEL ANCHOR BASE POLES



Model No.	Mounting Height (ft)	Gauge	Top Diameter (in)	Bottom Diameter (in)	Base Thickness (in)	Base Width (in)	Bolt Circle (in)	Bolt Projection (in)	Anchor Bolt Size (in)
SSSAB10	10	11	4	4	0.75	10.5	8.5	3.75	0.75 x 17 x 3
SSSAB15	15	11	4	4	0.75	10.5	8.5	3.75	0.75 x 17 x 3
SSSAB20	20	11	4	4	0.75	10.5	8.5	3.75	0.75 x 17 x 3
SSSAB25	25	7	4	4	0.75	10.5	8.5	3.75	0.75 x 30 x 3
SSSAB30	30	7	5	5	1	11	11	4.875	1 x 36 x 4



ROUND STRAIGHT STEEL ANCHOR BASE POLES



Model No.	Mounting Height (ft)	Gauge	Top Diameter (in)	Bottom Diameter (in)	Base Thickness (in)	Base Width (in)	Bolt Circle (in)	Bolt Projection (in)	Anchor Bolt Size (in)
RSSAB10	10	11	4	4	0.75	10.5	8.5	3.75	0.75 x 17 x 3
RSSAB14	14	11	4	4	0.75	10.5	8.5	3.75	0.75 x 17 x 3
RSSAB20	20	11	4	4	0.75	10.5	8.5	3.75	0.75 x 17 x 3
RSSAB25	25	7	4	4	0.75	10.5	8.5	3.75	0.75 x 30 x 3
RSSAB30	30	7	5	5	1	11	11	4.875	1 x 36 x 4



ROUND TAPERED STEEL ANCHOR BASE POLES



Model No.	Mounting Height (W)	Gauge	Top Diameter (Im/W)	Bottom Diameter (Im)	Base Thickness (K)	Base Width (Ra)	Bolt Circle (°)	Bolt Projection (V)	Handhole Cover (mm/in)	Anchor Bolt Size (kg/lb)
RTSAB20	20	11	3.25	6	1	11	11	4.25	3 x 5	1 x 36 x 4
RTSAB25	25	11	3.5	7	1	11	11	4.25	3 x 5	1 x 36 x 4



ROUND STRAIGHT ALUMINUM ANCHOR BASE POLES



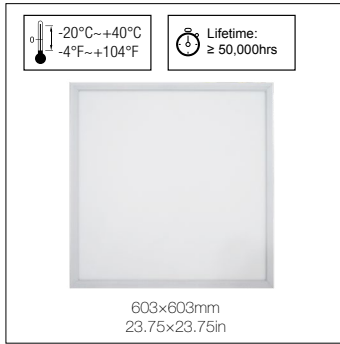
Model No.	Mounting Height (W)	Wall Thickness	Top Diameter (Im/W)	Bottom Diameter (Im)	Base Thickness (K)	Base Width (Ra)	Bolt Circle (°)	Bolt Projection (V)	Anchor Bolt Size (kg/lb)
RSAAB14	14	0.125	4	4	0.5	7.5	7.5	2.5	0.75 x 17 x 3
RSAAB16	16	0.125	4	4	0.625	7.5	7.5	2.5	0.75 x 17 x 3



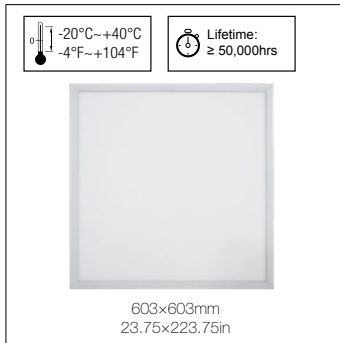
ROUND STRAIGHT ALUMINUM DIRECT BURY POLES



Model No.	Mounting Height (ft)	Wall Thickness	Top Diameter (in)	Bottom Diameter (in)
RSADB08	8	0.125	4	4
RSADB10	10	0.125	4	4
RSADB12	12	0.125	4	4
RSADB16	16	0.125	5	5



CCT: 4000K 5000K



CCT: 3500K 4000K 4500K 5000K



CCT: 3000K 4000K 5000K



CCT: 5000K

LED PANELS



Model No.	Power (W)	Dimensions (ft)	Luminous Efficacy (lm/W)	Luminous Flux (lm)	Color Temperature (K)	CRI (Ra)	Beam Angle (°)	Input Voltage (V)	Weight (kg/lb)
MB-2040AB-111	40	2 x 2	110	4400	5000	≥80	120	100-277	5/11.02
MB-2040AB-113	40	2 x 2	110	4400	4000	≥80	120	100-277	5/11.02
MB-2050AB-111	50	2 x 4	110	5500	5000	≥80	120	120-277	8.8/19.4
MB-2050AB-113	50	2 x 4	110	5500	4000	≥80	120	120-277	8.8/19.4

TUNABLE LED PANELS



Model No.	Power (W)	Dimensions (ft)	Luminous Efficacy (lm/W)	Luminous Flux (lm)	Color Temperature (K)	CRI (Ra)	Beam Angle (°)	Input Voltage (V)	Weight (kg/lb)
MB-3040AB-111	40	2 x 2	125	5000	5000	≥80	120	100-277	5/11.02
MB-3040AB-113	40	2 x 2	125	5000	4000	≥80	120	100-277	5/11.02
MB-3050AB-111	50	2 x 4	125	6250	5000	≥80	120	120-277	8.8/19.4
MB-3050AB-113	50	2 x 4	125	6250	4000	≥80	120	120-277	8.8/19.4

LED DOWNLIGHTS



Model No.	Diameter (in)	Power (W)	Luminous Efficacy (lm/W)	Luminous Flux (lm)	Color Temperature (K)	CRI (Ra)	Beam Angle (°)	Input Voltage (V)	Weight (kg/lb)
DL-2510	5	10	126	1260	5000	≥80	96°	100-277	0.76/1.68
DL-2521	5	21	124	2604	5000	≥80	95°	100-277	0.76/1.68
DL-2610	6	10	127	1270	5000	≥80	97°	100-277	0.76/1.68
DL-2621	6	21	127	2667	5000	≥80	96°	100-277	0.76/1.68
DL-2810	8	10	129	1290	5000	≥80	100°	100-277	0.9/1.98
DL-2821	8	21	118	2478	5000	≥80	109°	100-277	0.9/1.98
DL-21010	10	10	136	1360	5000	≥80	100°	100-277	1/2.2
DL-21021	10	21	138	2898	5000	≥80	100°	100-277	1/2.2
DL-21030	10	30	142	4260	5000	≥80	100°	100-277	1/2.2

*Note: 12" goof-ring available for 10" model

LED WALL PACK



Model No.	Power (W)	Luminous Efficacy (lm/W)	Luminous Flux (lm)	Color Temperature (K)	CRI (Ra)	Beam Angle (°)	Input Voltage (V)	Weight (kg/lb)
WP-5060-111	60	130	7800	5000	≥75	110°x130°	100-277	3.59/7.92
WP-5080-111	80	130	10,400	5000	≥75	110°x130°	100-277	3.59/7.92
WP-5100-111	100	130	13,000	5000	≥75	110°x130°	100-277	3.59/7.92
WP-5120-111	120	130	15,600	5000	≥75	110°x130°	100-277	3.59/7.92
WP-5150-111	150	130	19,500	5000	≥75	110°x130°	100-277	3.59/7.92

LED HORTICULTURE LIGHTING



c  IP66 IK09

Model No.	Power (W)	PPF ($\mu\text{mol/s}$)	Spectra	Beam Angle ($^{\circ}$)	Input Voltage (V)	Weight (kg/lb)	Ambient Operating Temp. -25°C~+45°C -13°F~+113°F	Dimensions (mm/in)
GL-3150	150	172.5	Full Spectrum Dual-Peak	90° / 140° / 65° x 145°	100-277	4.3/9.48		500x180x110 19.69x7.09x4.33



c  IP66 IK09

Model No.	Power (W)	PPF ($\mu\text{mol/s}$)	Spectra	Beam Angle ($^{\circ}$)	Input Voltage (V)	Weight (kg/lb)	Ambient Operating Temp. -25°C~+45°C -13°F~+113°F	Dimensions (mm/in)
GL-3300	300	318.9	Full Spectrum Dual-Peak	90° / 140° / 65° x 145°	100-277 347-480	6.5/14.33		410x215x150 16.14x8.46x5.91



c  IP66 IK09

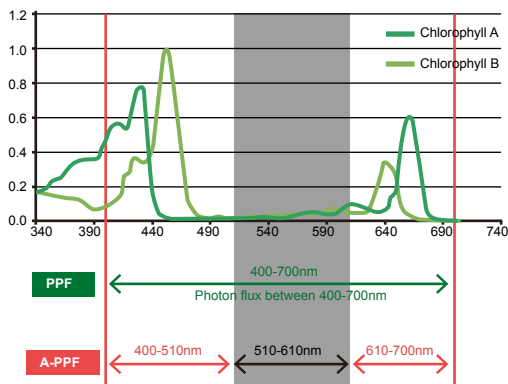
Model No.	Power (W)	PPF ($\mu\text{mol/s}$)	Spectra	Beam Angle ($^{\circ}$)	Input Voltage (V)	Weight (kg/lb)	Ambient Operating Temp. -25°C~+45°C -13°F~+113°F	Dimensions (mm/in)
GL-3500	500	688.3	Full Spectrum Dual-Peak	90° / 140° / 65° x 145°	100-277 347-480	13.1/28.88		440x300x260mm 17.32x11.81x10.24in



c  IP66 IK09

Model No.	Power (W)	PPF ($\mu\text{mol/s}$)	Spectra	Beam Angle ($^{\circ}$)	Input Voltage (V)	Weight (kg/lb)	Ambient Operating Temp. -25°C~+45°C -13°F~+113°F	Dimensions (mm/in)
GL-3070	70	112	Full Spectrum Dual-Peak	90° / 140°	100-277	2.6/5.73		1000x90x60 39.37x3.54x2.36

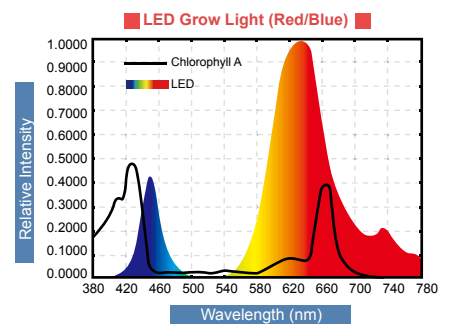
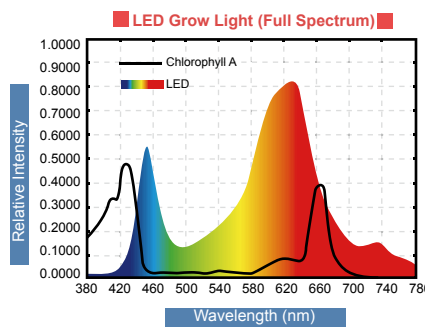
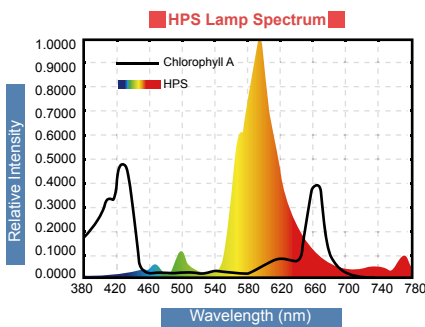
Plant Growth Required Spectrum



Effects of Different Radiation Wavelengths on Plants

		Wavelength	To the plant
Solar Radiation	Ultraviolet	200-275nm	UVC is harmful to plants and animals, and causes plants' stomata to close and reduces photosynthesis.
		275-320nm	UVB can cause dwarfing in plants and skin aging.
		320-400nm	UVA is conducive to the coloring of plants.
Visible light	Visible light	400-510nm	Blue-purple light has high photosynthetic efficiency that helps in plants' growth. It is also good for fruits' coloration and synthesizing Vitamin C.
		510-610nm	Green light has a low absorption rate and so low photosynthetic efficiency for plants.
		610-720nm	Red and orange light have high absorption rates and high photosynthetic efficiency.
Infrared	Infrared	700-800nm	Far red can affect biological rhythms of plants, which fosters inflorescence and helps in the development of seeds and fruit.
		1000-3000nm	Provides radiation heat.

Electric Lighting Spectrum VS Plant Growth Spectrum



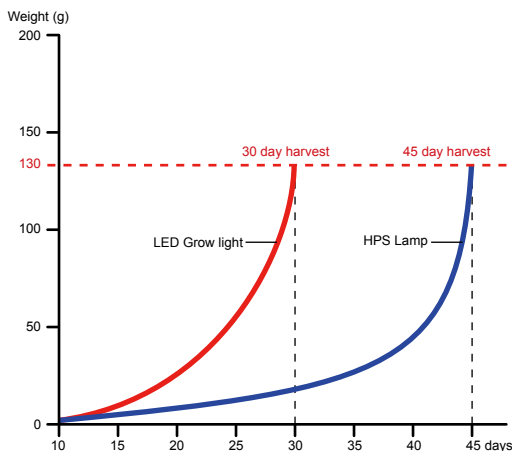
PPF

Photosynthetic Photon Flux ($\mu\text{mol/s}$).
 PPF is the total amount of micromoles emitted from a fixture. It is measured in micromoles per second, or $\mu\text{mol/s}$.
 PPF is measuring photons, similar to lumens in general lighting.

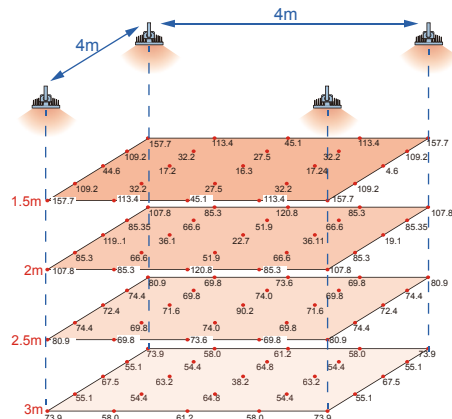
PPFD

Photosynthetic Photon Flux Density ($\mu\text{mol/s}\cdot\text{m}^2$).
 PPFD is the amount of micromoles landing on a specific area. It is measured in micromoles per second per square meter, or $\mu\text{mol/s}\cdot\text{m}^2$.
 PPFD is akin to measuring foot-candles or lux in general lighting.

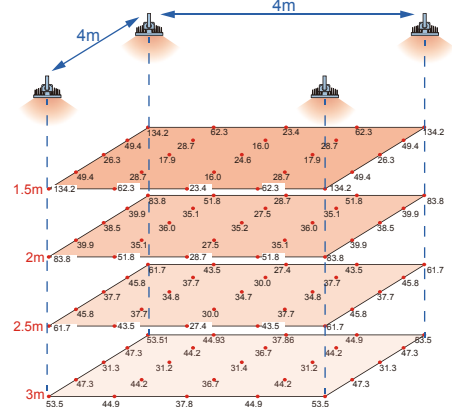
Plant Growth Curve Under Different Lights (Harvest 130g)



500W Grow Light, 90° (PPFD)



600W HPS (PPFD)



ABOUT US

DASCOM maintains as a core company value that successful businesses have an ethical obligation to give back to, and be involved in, their community. DASCOM Americas contributes to the greater good of its community at large by not only investing in jobs, technology, and people, but by also supporting various charitable organizations. This takes the form of monetary and equipment donations to local food pantries, regional food banks, and Ronald McDonald House® Charities, among others.

In addition, DASCOM Holdings maintains close strategic partnerships and relationships with other leading international businesses. One such long-standing relationship is with Citizen Electronics Company, Ltd., a worldwide, diversified business entity whose global footprint includes work in the world of high efficacy LED chip sets. DASCOM uses Citizen CITED® in a number of its products and combines their exceptional quality with proficiency in research and development to produce and market SONARAY™ LED Lighting.

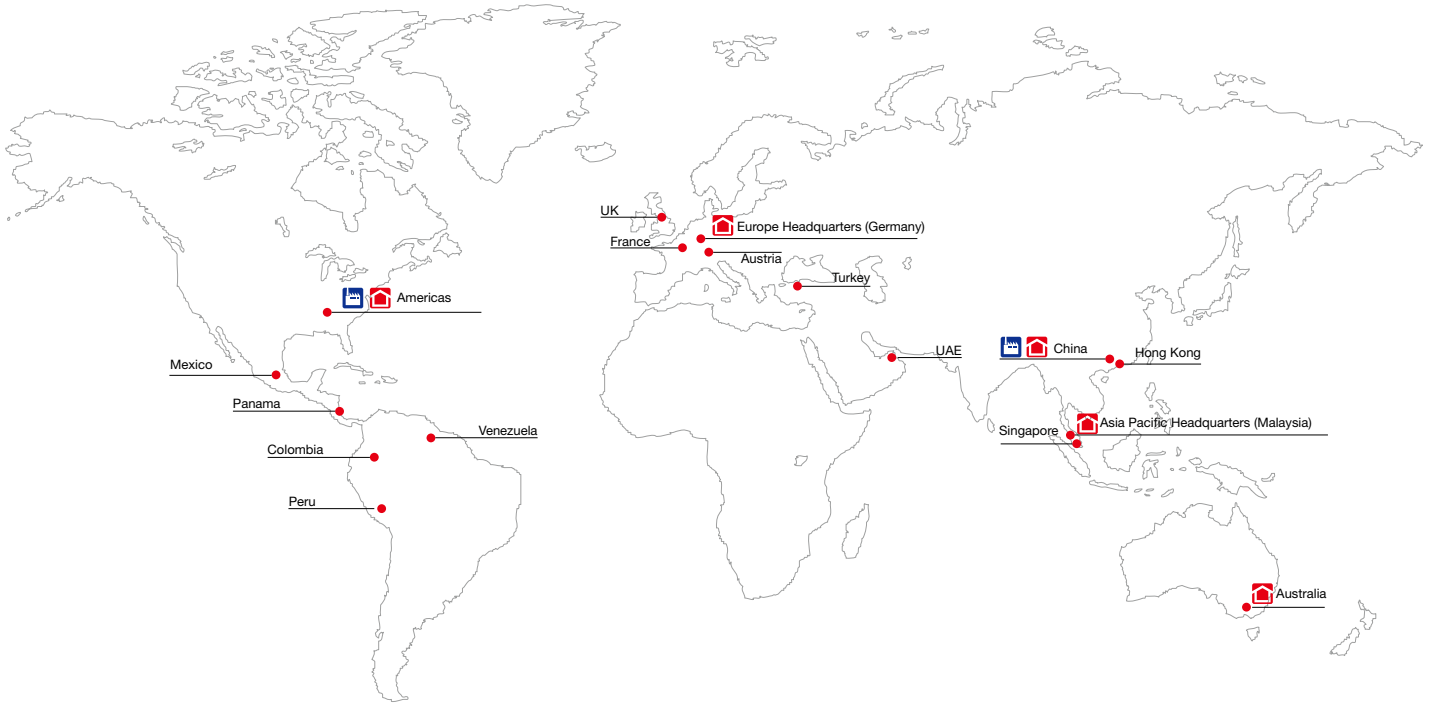
SONARAY™ was originally begun as DASCOM Lighting in 2008, and as the business unit grew it evolved into its own brand with a distinct name. SONARAY™ is a combination of the Spanish word “soñar,” which means “to dream,” and the English word “ray,” which means a narrow beam of light. SONARAY™ is a name that is meant to inspire dreams of a cleaner and greener world, better clarity of light, and enhanced energy savings for businesses and other organizations.

SONARAY™ is the culmination of acute focus on quality, precise engineering, forward thinking, ingenuity, and creativity. Like the core tenets of the company, the brand is designed to create value for clients and assist in maintaining a more sustainable planet by changing the world of tomorrow with our actions each and every day.

The image shows the DASCOM logo in a blue, 3D-style font. The letter 'A' is replaced by a red triangle pointing upwards. The logo is mounted on a white wall, and a blurred vertical object is visible on the left side of the frame.

SONARAY LED

GLOBAL FACILITIES



Americas

34 Lakeview Ct.
Verona, VA 24482
USA
Tel: +1-877-434-1377
Fax: +1-877-334-0549

Europe

Heuweg 3,
89079 Ulm,
Germany
Tel: +49 -731-20750
Fax: +49 -731-2075100

China

No.399,Jinxing Road,
Jianghai District,
Jiangmen,
Guangdong, P.R. China
Tel: 400-810-9998 800-810-9998

Asia Pacific Headquarters (Malaysia)

Global Business & Convention Centre,
Block B, Level 2, Unit 2C
No.8, Jalan 19/1, Section 19,
46300 Petaling Jaya, Selangor,
Malaysia
Tel : +60-3-79571788
Fax: +60-3-79574788

Hong Kong

Unit 3, 26th Floor,
Honour Industrial Centre,
No. 6 Sun Yip Street, Chaiwan,
Hong Kong
Tel: +852-21109011
Fax: +852-21109012

Australia

Unit 7,21 Westside Drive
Laverton North,
VIC 3026,
Australia
Tel: +(03) 93151377



SONARAY®

© 2020 (Jan) DASCAM Americas. All rights reserved.
All company and product names are trademarks or registered trademarks of their respective
owner. Specifications are subject to change without notice.

www.sonarayled.com