

EXPLORER Flood Light

FEATURES

- Durable die-cast aluminum housing
- Dark Bronze and Black finishes
- Narrow to Medium lighting distributions
- Yoke Mount standard, optional Slipfitter
- Modular, stackable design
- IP65 and IK09 rated
- Anti-corrosive finish to withstand harsh environments
- 5 Year Warranty



APPLICATIONS

- Marine Ports & Harbors • Area Lighting • Wall Washing • Signage • Recreational

ORDERING GUIDE

SERIES	WATTAGE	BEAM ANGLE	CRI ¹	CCT	FINISH ²	VOLTAGE ³	OPTIONS
FL-5	080 80W	NN 8 DEGREE	8 ≥80	30 3000K	DB DARK BRONZE	U 100-277V	AVB ANTI-VIBRATION BRACKET
	160 160W	N 17 DEGREE	7 ≥70	40 4000K	BLK BLACK	D 12-24V	DLS DAYLIGHT SENSOR
	320 320W	M 34 DEGREE		50 5000K			DIM* 0-10V DIMMABLE
	480 480W	W 62 DEGREE					SPF 2-3/8" SLIPFITTER
	640 640W	WW 88 DEGREE					

¹ CRI ≥80 only available for 'NN' Beam Angle model.

² Dark Bronze is standard finish. Consult factory for pricing and availability of Black finish.

³ 12-24V Voltage only available for 80W and 160W models.

⁴ Not available for 80W model.

LED SPECIFICATION			3000K		4000K		5000K		EPA*	BUG	WEIGHT (lbs.)	CERTIFICATION
MODEL	WATTS	OPTIC	LUMENS	EFFICACY	LUMENS	EFFICACY	LUMENS	EFFICACY				
FL-5080	82	NN	7,663	93 lm/W	7,826	95 lm/W	8,152	99 lm/W	0.69 ft ²	B4 - U2 - G0	14.77	ETL, CE
		N	10,076	129 lm/W	10,290	132 lm/W	10,719	137 lm/W				
	78	M	10,491	134 lm/W	10,713	137 lm/W	11,160	143 lm/W				
		W	9,122	117 lm/W	9,316	119 lm/W	9,704	124 lm/W				
		WW	11,503	147 lm/W	11,747	151 lm/W	12,237	157 lm/W				
FL-5160	162	NN	11,716	72 lm/W	11,965	74 lm/W	12,464	77 lm/W	0.69 ft ²	B5 - U2 - G0	14.77	ETL, CE
		N	18,044	115 lm/W	18,427	117 lm/W	19,195	122 lm/W				
	157	M	19,094	122 lm/W	19,499	124 lm/W	20,312	129 lm/W				
		W	16,340	104 lm/W	16,687	106 lm/W	17,383	111 lm/W				
		WW	20,914	133 lm/W	21,358	136 lm/W	22,249	142 lm/W				
FL-5320	317	NN	22,948	72 lm/W	23,435	74 lm/W	24,412	77 lm/W	1.37 ft ²	B5 - U2 - G1	29.54	ETL, CE
		N	35,971	114 lm/W	36,734	116 lm/W	38,266	121 lm/W				
	316	M	38,008	120 lm/W	38,815	123 lm/W	40,434	128 lm/W				
		W	31,805	101 lm/W	32,481	103 lm/W	33,835	107 lm/W				
		WW	40,872	129 lm/W	41,739	132 lm/W	43,480	138 lm/W				
FL-5480	477	NN	33,981	71 lm/W	34,702	73 lm/W	36,149	76 lm/W	2.06 ft ²	B5 - U3 - G1	44.31	ETL, CE
		N	53,821	113 lm/W	54,964	116 lm/W	57,256	121 lm/W				
	475	M	56,952	120 lm/W	58,161	122 lm/W	60,586	128 lm/W				
		W	47,814	101 lm/W	48,829	103 lm/W	50,865	107 lm/W				
		WW	59,667	126 lm/W	60,934	128 lm/W	63,475	134 lm/W				
FL-5640	637	NN	45,346	71 lm/W	46,309	73 lm/W	48,240	76 lm/W	2.74 ft ²	B5 - U3 - G1	59.08	ETL, CE
		N	72,733	114 lm/W	74,277	116 lm/W	77,374	121 lm/W				
	639	M	75,852	119 lm/W	77,463	121 lm/W	80,693	126 lm/W				
		W	63,532	99 lm/W	64,880	102 lm/W	67,586	106 lm/W				
		WW	79,354	124 lm/W	81,039	127 lm/W	84,418	132 lm/W				

* EPA Ratings listed assume fixture is mounted horizontally. EPA rating will vary based on mounting angle.

EXPLORER Flood Light

SPECIFICATIONS

CONSTRUCTION

With Die-Cast Aluminum Housing, Anti-Corrosive Treatment, and Heavy-Duty Polycarbonate Lens the Explorer Flood Light is built to withstand the toughest environments and provide crisp, clear lighting. The fixture is tightly sealed for resiliency and to prevent ingress. Industry-leading impact resistant construction keeps the fixture housing free from damage in tough, physical settings, while finned heatsinks provide optimal heat management to increase luminaire life.

INSTALLATION

Luminaire comes standard with an Aluminum Trunnion Mount bracket. 2-3/8" Aluminum Slipfitter Adapters are available, giving the fixture a wide range of mounting styles. Anti-Vibration Trunnion Mount Bracket is available for more demanding installation locations. luminaires can be horizontally rotated more than 180°.

WARRANTY

All Explorer Flood Light products come with a limited Five (5) Year Warranty. For more information regarding the warranty please contact the factory at (844) 202-5606 or email Customer Service at LEDCustService@dascom.com.

ELECTRICAL

Luminaire is paired with a high performance 100-277V AC driver. 50/60 Hz. Power Factor >.9 with THD <.2. A minimum CRI of 70 is standard in 3000K, 4000K, and 5000K color temperatures. 160W, 320W, 480W, and 640W Explorer Flood Lights are Dimmable. A Daylight Sensor is available for all models.

OPTICS

Five different beam angles are available from Narrow to Medium distributions. 8°, 17°, 34°, 62°, 88° options ensure a broad range of solutions. Beam angles can be mixed per 160W module in the double, triple, and quadruple assemblies to create unique beam distributions.

CERTIFICATIONS and LISTINGS

UL certified to U.S., Canadian, and European standards; 1598 (Luminaire).
Suitable for Wet Locations.
Suitable for Natatoriums.
IP65 and IK09 Rated.
Ambient Operating Temperature: -40°C ~ +45°C / -40°F ~ +113°F.

EXPLORER Flood Light

OPTIONS

AVB - ANTI-VIBRATION BRACKET

Anti-Vibration Bracket available for all Explorer Flood Light models. Exceptionally durable steel bracket with rubber-bushings guarantee quality performance in robust installations such as crane and bridge lighting.



DIM - 0-10V DIMMABLE DRIVER

Optional internal 0-10V dimmable driver available for 160W, 320W, 480W, and 640W Explorer Flood Light models. Must be factory installed prior to shipping.



SPF - 2-3/8" SLIPFITTER

2-3/8" Slipfitter available for all Explorer Flood Light models. Slipfitter adapter helps mount flood light to a broad range of poles and tenons.



DLS - DAYLIGHT SENSOR

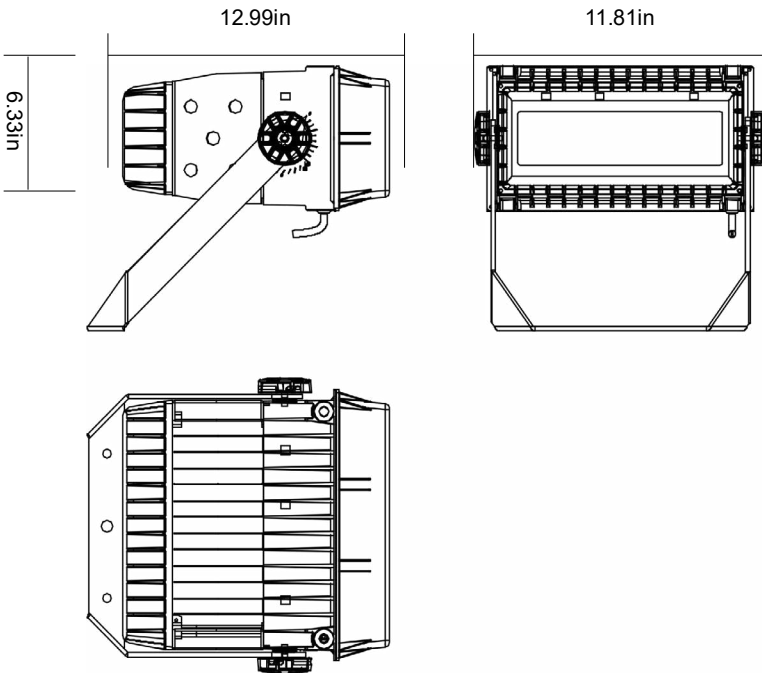
External in-line daylight sensor for seamless on/off control from dusk to dawn available for all Explorer Flood Light models.



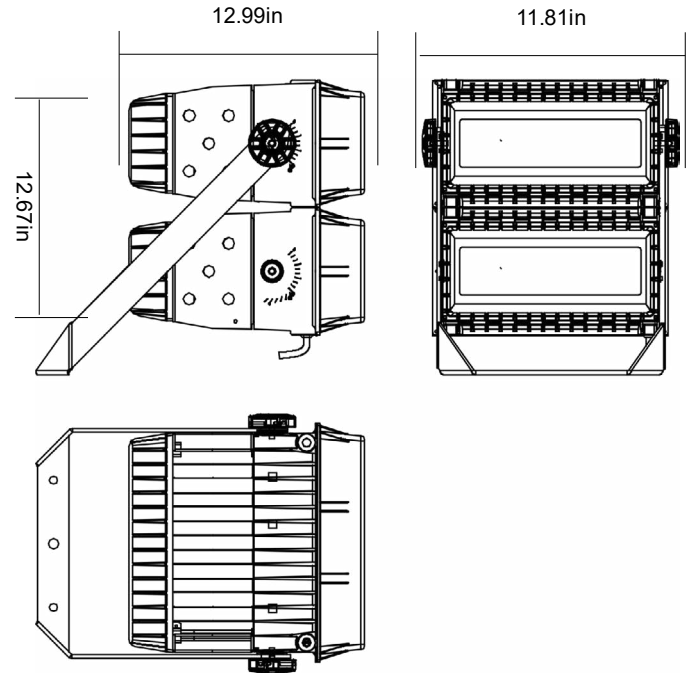
EXPLORER Flood Light

DIMENSIONAL DRAWINGS

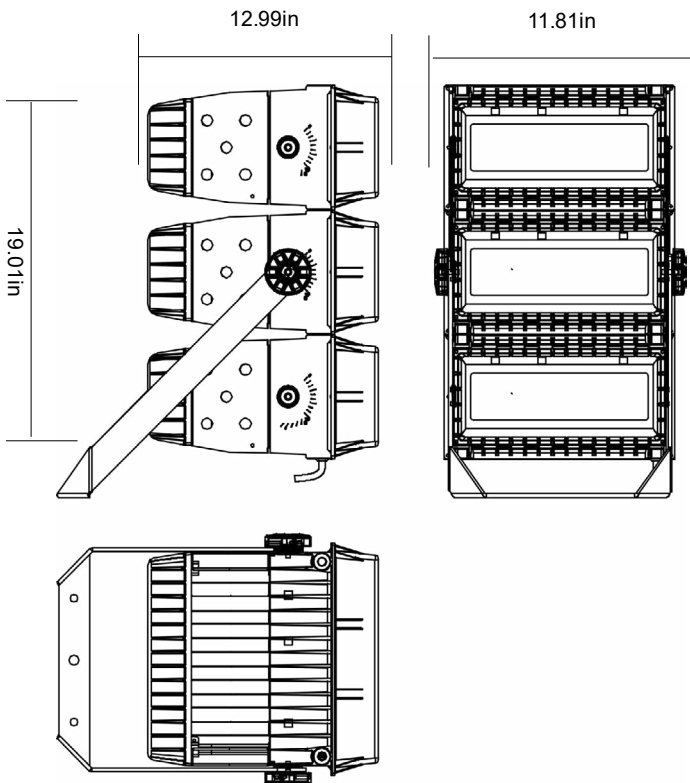
FL-5080 & FL-5160



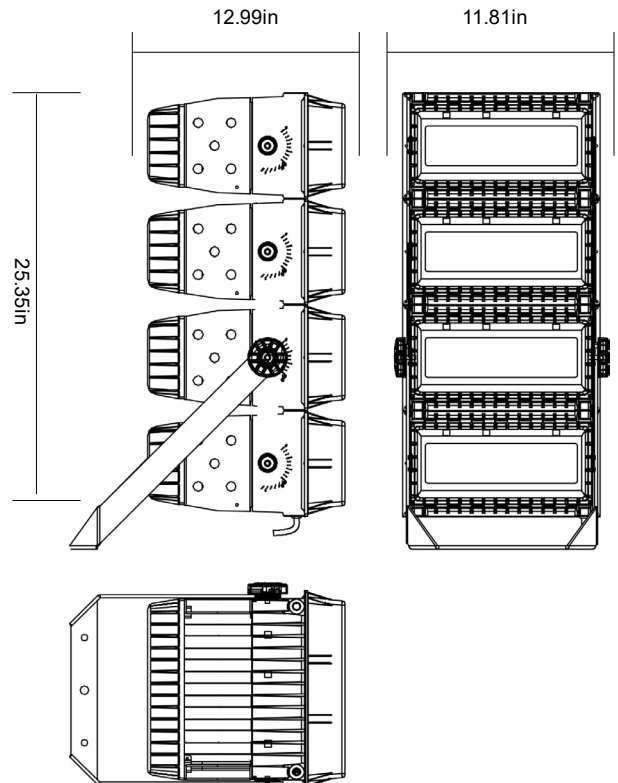
FL-5320



FL-5480



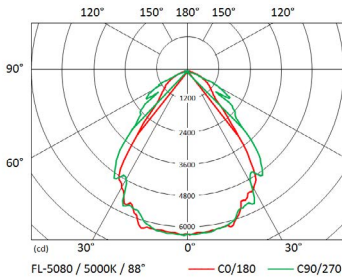
FL-5640



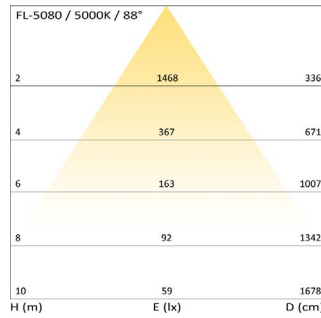
EXPLORER Flood Light

PHOTOMETRICS

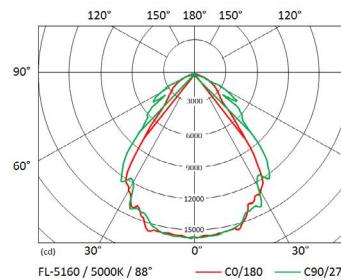
FL-5080



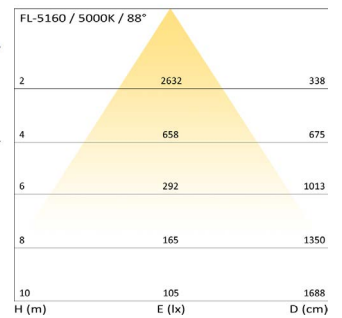
FL-5080 / 5000K / 88° — C0/180 — C90/270



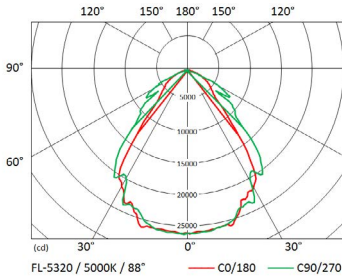
FL-5160



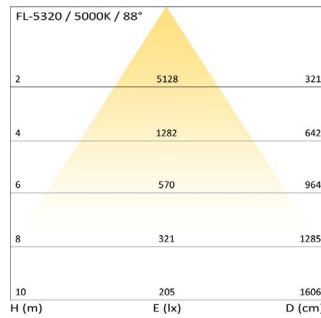
FL-5160 / 5000K / 88° — C0/180 — C90/270



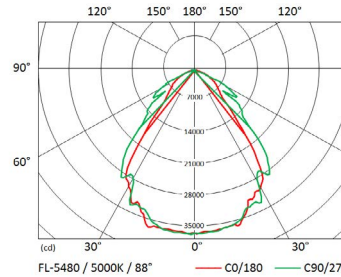
FL-5320



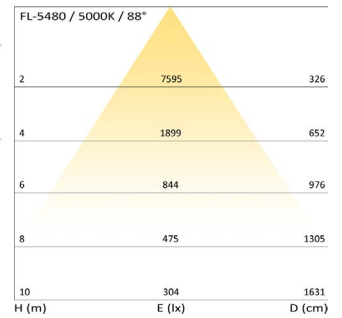
FL-5320 / 5000K / 88° — C0/180 — C90/270



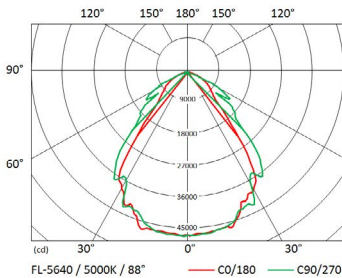
FL-5480



FL-5480 / 5000K / 88° — C0/180 — C90/270



FL-5640



FL-5640 / 5000K / 88° — C0/180 — C90/270

