



Technical Documentation

Electrical Schematic for Grid-Tied VisionAIR³ (ASB)

Document Number (s): UGE-03M-DR-020

Original Date: August 07th, 2014

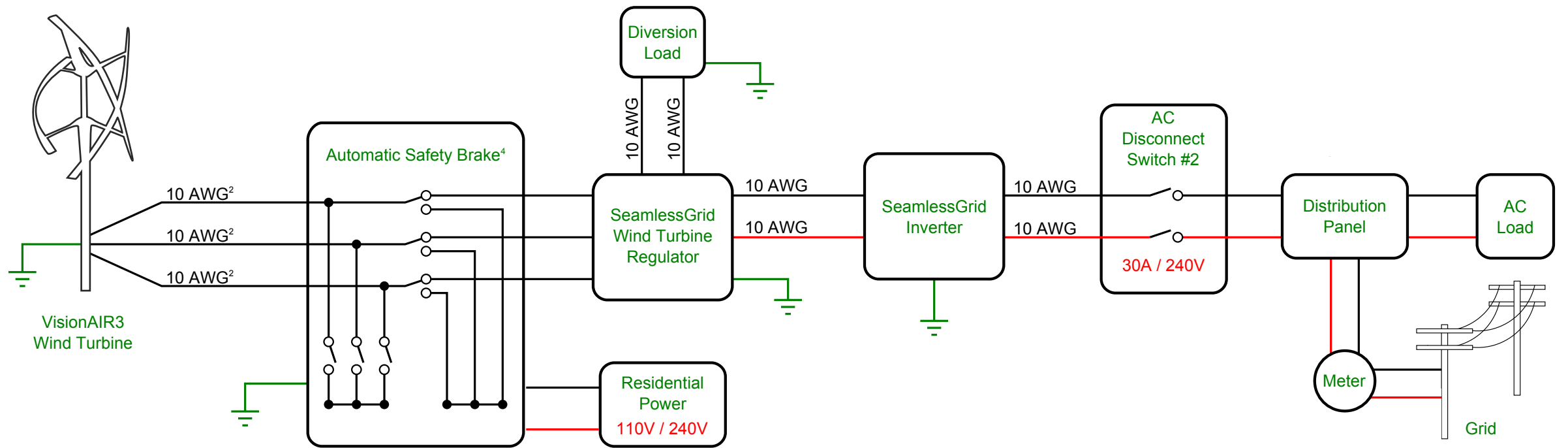
Revised On:

Version: 1.0

Completed by: BC

Checked by: OSR

Please note that our documents are regularly updated. You may verify the validity of this document by visiting: www.urbangreenenergy.com/documents



Notes:

1. Wire gauge recommendations based on NEC 310.16 for THHW copper wire below 100 F°
(A certified electrician shall verify wire gauge meets local electrical code).
2. Wire length should not exceed 150m, maximum voltage drop is 5%.
3. Each grounded component shall have its own grounding wire and connect to a common earth ground.
4. The Double Throw Switch can be used as an alternative to the UGE-ASB in some cases.
5. Wire gauge recommendations are based on NEC Table 310.15(B)(3)(c) buried conduit ambient temperature values.

PROPRIETARY AND CONFIDENTIAL
The information contained in this drawing is the sole property of Urban Green Energy, INC. Any reproduction in part or as a whole without written permission of Urban Green Energy, INC is prohibited.
© 2014 URBAN GREEN ENERGY, INC



330 West 38th Street, Suite 1103, NY 10018 USA
PHONE: (917) 720-5685
www.urbangreenenergy.com

DRAWING REPRODUCED FROM:

Produced by UGE

PROJECT:
UGE-3M

DRAWING #:
UGE-03M-DR-020

REVISION:
1.0

DRAWING TITLE:

VisionAIR3 Grid-Tie Electrical Schematic (ASB)