

SPECIFICATIONS;
 FREQ RANGE (GHz) — 26.5 - 40.0
 VSWR — 1.15 : 1 MAX, 1.10 : 1 TYP
 INSERTION LOSS — 0.15 db, MAX
 ISOLATION — 55 db, MIN
 SWITCHING TIME — 50 mSec, TYP
 PRESSURE — TO 30 PSIG (R-F HEAD)
 FINISH — IRIDITE ON FLANGES, SATIN BLACK ENAMEL ON BODY.

NOTES:
 1. ** MANUAL SWITCH DOES NOT INCLUDE RECEPTACLE.
 2. BLUE BOXES ARE REQUIRED FIELDS.
 3. !! IF OPTION IS NOT REQUIRED, LEAVE (GOLD BOX) BLANK

VOLTAGE	AMPS	CODE
+22 TO +32	0.9	A
-22 TO -32	0.9	B
+10 TO +14	1.5	C
-10 TO -14	1.5	D
+44 TO +54	0.5	E
-44 TO -54	0.5	F
117VAC	0.5	H
235VAC	0.5	K
MANUAL **		M

PART NO. SELECTION

CODE	FLANGE
P	PLAIN
C	CHOKE
O	O-RING
R	ROUND

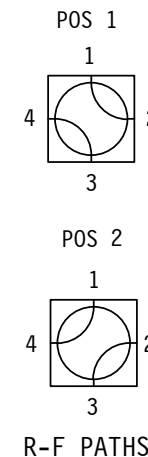
CODE	!! OPTION
M	METRIC THREAD

(THIS SERIES FOR CIRCUIT NO's 2, 3, 4, 5, 5A, 6 & 6A)

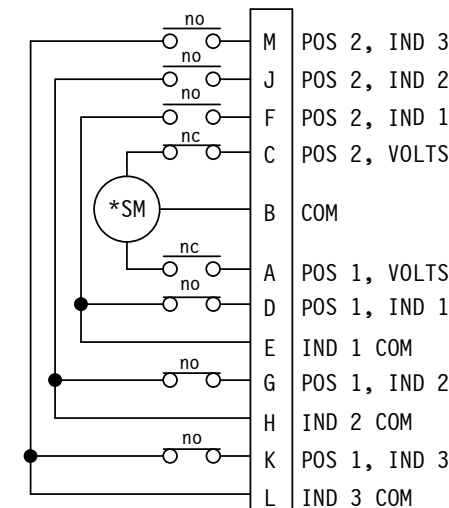
!! OPTION	CODE
SPDT	1

PART NO. SERIES	V	FAILSAFE	F
	CODE		!! OPTION

PART NO. EX.: VAP3
 WR28 LATCHING WG SWITCH, +28VDC,
 PLAIN FLANGE (SQUARE), CIRCUIT #3.



R-F PATHS



* PATENTED
 ELECTRICAL CKT # 3
 Shown in Position 1
 THREE FORM C's

WEB SITE: www.sectormicrowave.com

ZONE	LTR	DESCRIPTION	APV	DATE
	B	UPDATED VSWR SPEC	RR	6/24/09
	A	RELEASED.	TN	7/25/06
REVISIONS				

TOLERANCES:
 DECIMALS
 2 PLACES: +/- .03
 3 PLACES: +/- .010
 FRACTIONS: +/- 1/32
 ANGLES: +/- 1/2 deg.

DRAWN	AC	7/25/06
CHECKED		
APVD	RR	7/25/06
APVD		

SECTOR MICROWAVE IND., INC.			
WR28 WG SW. : LARGE CKT SERIES			
SIZE	L	CAGE CODE	53263
SCALE: NONE	UNIT WT.	SHEET	1 OF 1
			B REV.