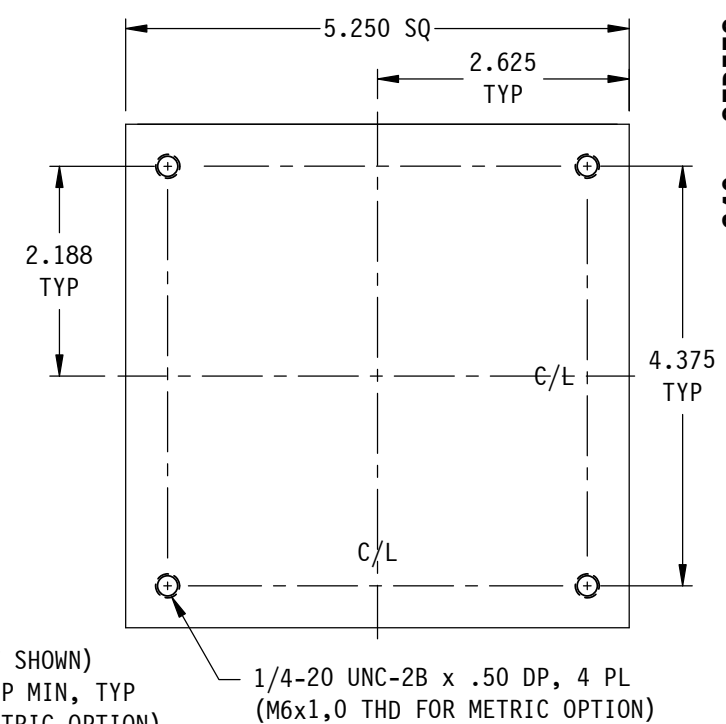
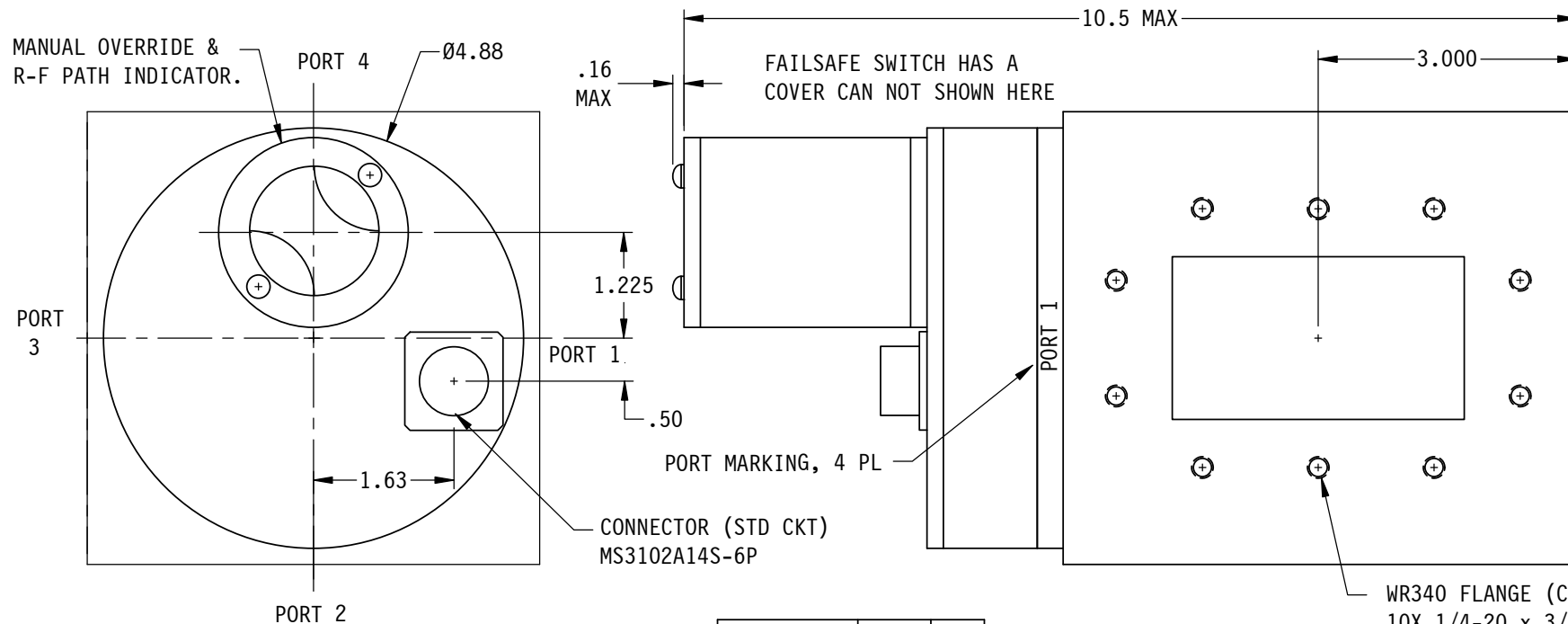


MANUAL OVERRIDE & R-F PATH INDICATOR.



340X SERIES

**SPECIFICATIONS:**

- FREQ RANGE \_\_\_\_\_ 2.17 TO 3.30 GHz
- VSWR \_\_\_\_\_ 1.10 : 1 MAX
- ISOLATION \_\_\_\_\_ 70 db MIN
- INSERTION LOSS \_\_\_\_\_ 0.02 db MAX
- SWITCHING TIME \_\_\_\_\_ .5 Sec, TYP
- PRESSURE \_\_\_\_\_ TO 30 PSIG (R-F HEAD ONLY)
- LIFE \_\_\_\_\_ 100,000 CYCLES MIN
- FINISH \_\_\_\_\_ IRIDITE ON FLANGE FACES, SATIN BLACK ENAMEL ON REST OF BODY.

**NOTES:**

1. \*\* MANUAL SWITCH DOES NOT INCLUDE RECEPTACLE.
2. BLUE BOXES ARE REQUIRED FIELDS.
3. !! IF OPTION IS NOT REQUIRED, LEAVE (GOLD BOX) BLANK

VOLTAGE	AMPS	CODE
+22 TO +32	3	A
-22 TO -32	3	B
+10 TO +14	3	C
-10 TO -14	3	D
+44 TO +54	2	E
-44 TO -54	2	F
117VAC	1.4	H
235VAC	1	K
MANUAL **		M

**PART NUMBER SELECTION**

CODE	FLANGE
F	CPRF
G	CPRG

CODE	!! OPTION
M	METRIC THREAD

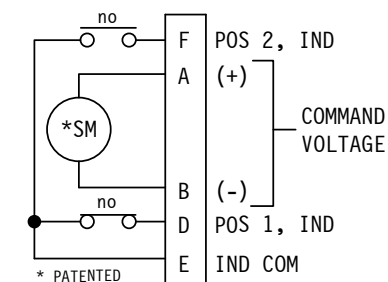
!! OPTION	CODE
SPDT	1

340					
PART NO. SERIES	340				
	CODE	FAILSAFE	F		
		!! OPTION	CODE		

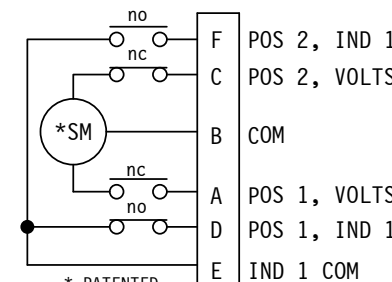
**!! ELECTRICAL CIRCUIT (IF OTHER THAN STD.) SEE SCHEMATIC PAGE.**

PART NO. EX.: 340AF2

WR340 WG SWITCH, +28VDC, CPRF FLANGE, ELECT CKT #2.

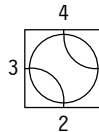


STD. FAILSAFE ELECT CKT. Shown in De-energized Pos. ONE FORM C

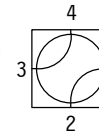


STD. ELECTRICAL CKT. Shown in Position 1 ONE FORM C

POS 2 (LATCHING) [or Energized] (FAILSAFE)



POS 1 (LATCHING) [or De-Energized] (FAILSAFE)



R-F PATHS

WEB SITE: [www.sectormicrowave.com](http://www.sectormicrowave.com)

ZONE	LTR	DESCRIPTION	APV	DATE
	A	RELEASED	R.R.	10/9/06
<b>REVISIONS</b>				

TOLERANCES:	DRAWN	A.C.	10-9-06
DECIMALS	CHECKED		
2 PLACES: +/- .03	APVD	R.R.	10-9-06
3 PLACES: +/- .010	APVD		
FRACTIONS: +/- 1/64			
ANGLES: +/- 1/2 deg.			

<b>SECTOR MICROWAVE IND., INC.</b>			
WR340 WG SWITCH SERIES			
SIZE	L	MFG CODE	53263
			WR340 WG SW. SER.
			A
SCALE: NONE	UNIT WT.	SHEET 1 OF 1	REV.