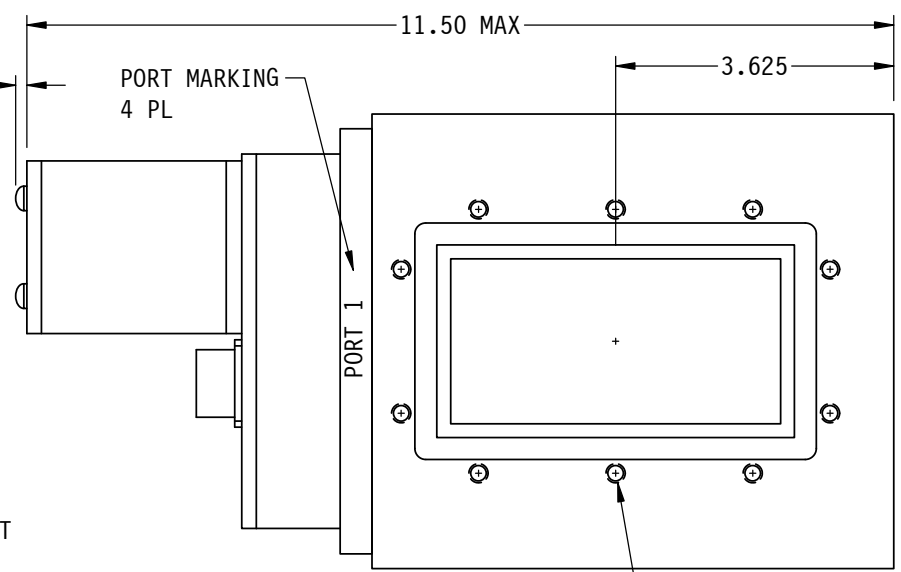


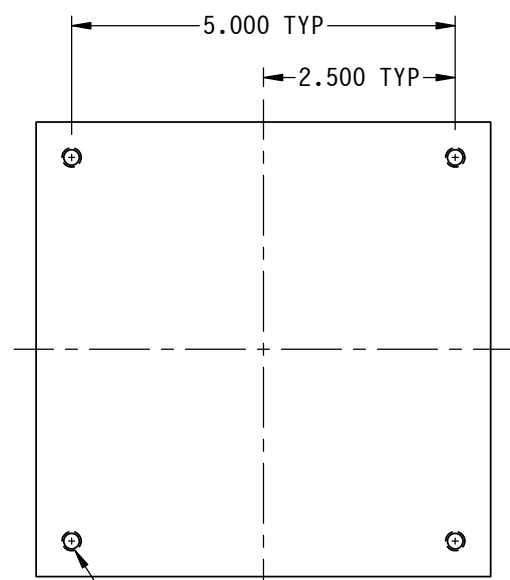
MANUAL OVERRIDE & R-F PATH INDICATOR.
.16 MAX

PORT 1

CONNECTOR (STD CKT)
MS3102E14S-6P
(CONN TYPE DEPENDENT ON CKT DESIRED)



WR430 CPRG FLANGE SHOWN
1/4-20 x .45 DP OR M6 THD FOR METRIC UNITS, 10 PL (TYP)



1/4-20 x .50 DP, 4 PL
M6 THD (METRIC UNITS)

SPECIFICATIONS:

- FREQ RANGE — 1.70 TO 2.60 GHz
- VSWR — 1.05 : 1 MAX
- INSERTION LOSS — 0.01 db MAX
- ISOLATION — 80 db MIN
- SWITCHING TIME — .50 SEC, TYP
- DRIVE @ 28V — 3 AMPS
- DRIVE @ 117VAC — 1.5 AMPS
- PRESSURE — 30 PSIG (R-F HEAD)
- FINISH — IRIDITE AND SATIN BLACK ENAMEL

VOLTAGE	AMPS	CODE
+22 TO +32	3	A
-22 TO -32	3	B
+10 TO +14	3	C
-10 TO -14	3	D
+44 TO +54	2	E
-44 TO -54	2	F
117VAC	1.5	H
235VAC	1	K
MANUAL **		M

PART NUMBER SELECTION

CODE	FLANGE
F	CPRF
G	CPRG

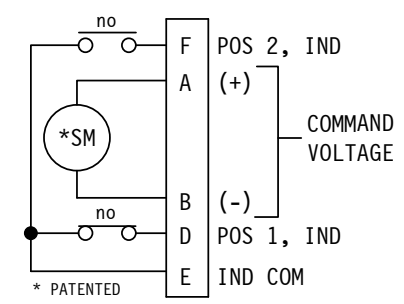
CODE	!! OPTION
M	METRIC THREAD

!! OPTION	CODE
SPDT	1

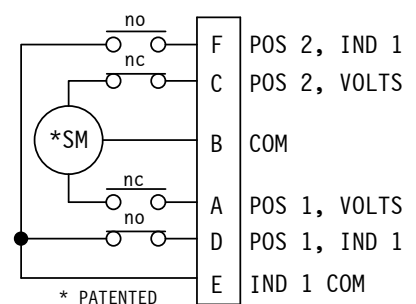
4						
PART NO. SERIES	4	CODE	FAILSAFE	F	!! OPTION	CODE

PART NO. EX.: 4AFM2
WR430 WG SWITCH, +28VDC, CPRF
FLANGE, METRIC THDS., ELECT CKT #2.

!! ELECTRICAL CIRCUIT
(IF OTHER THAN STD.)
SEE SCHEMATIC PAGE.

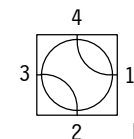


STD. FAILSAFE ELECT CKT.
Shown in De-energized Pos.
ONE FORM C

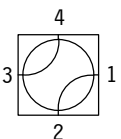


STD. ELECTRICAL CKT.
Shown in Position 1
ONE FORM C

POS 2 (LATCHING)
[or Energized]
(FAILSAFE)



POS 1 (LATCHING)
[or De-Energized]
(FAILSAFE)



R-F PATHS

NOTES:

1. ** MANUAL SWITCH DOES NOT INCLUDE RECEPTACLE.
2. BLUE BOXES ARE REQUIRED FIELDS.
3. !! IF OPTION IS NOT REQUIRED, LEAVE (GOLD BOX) BLANK

WEB SITE: www.sectormicrowave.com

ZONE	LTR	DESCRIPTION	APV	DATE
	A	RELEASED.	RK	10/5/00
REVISIONS				

TOLERANCES:	DRAWN	A.C.	10/5/00
DECIMALS	CHECKED		
2 PLACES: +/- .03	APVD	R.R.	10/5/00
3 PLACES: +/- .010	APVD		
FRACTIONS: +/- 1/64			
ANGLES: +/- 1/2 deg.			

SECTOR MICROWAVE IND., INC.			
LIGHTWEIGHT SERIES, W/G SW, WR430			
SIZE	L	MFG CODE	53263
		WR430 SERIES	A
SCALE: NONE	UNIT WT.	SHEET 1 OF 1	REV.