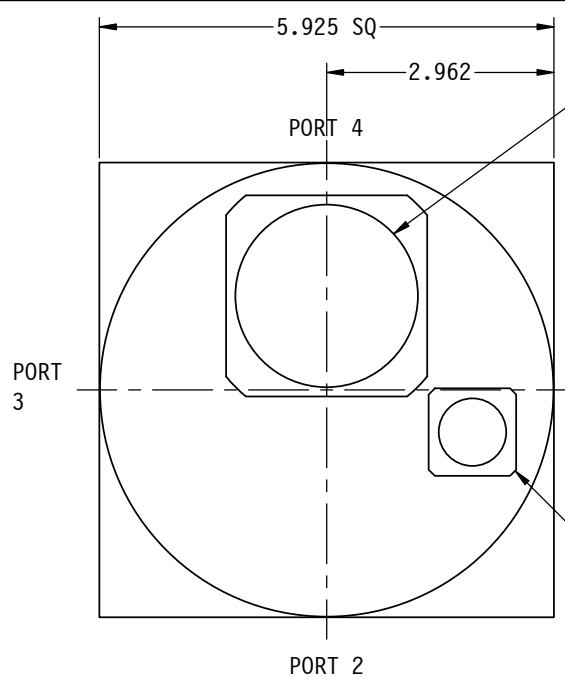
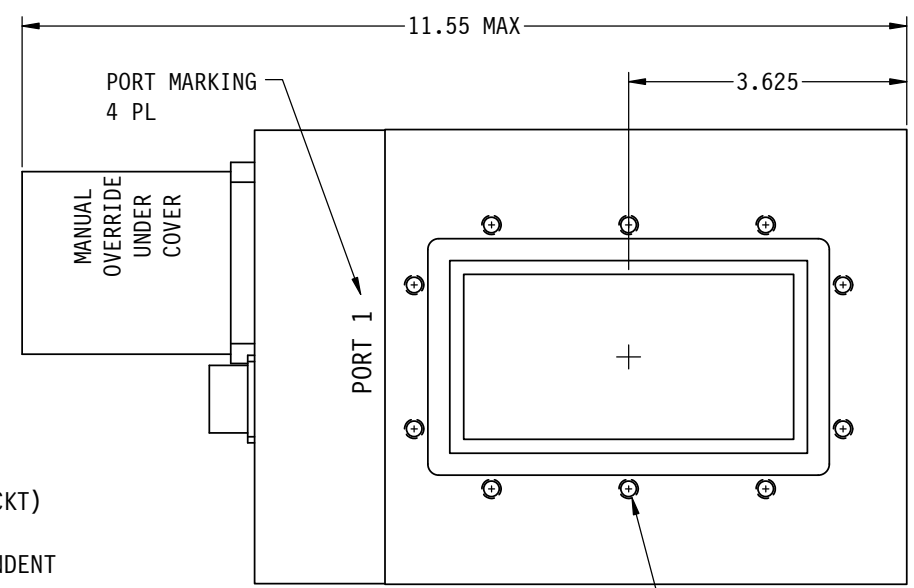


WR430 SERIES

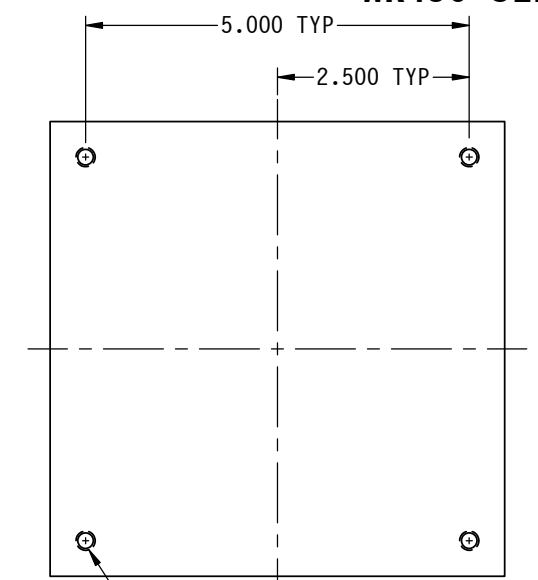


MANUAL OVERRIDE & R-F PATH INDICATOR UNDER COVER CAN.

CONNECTOR (STD CKT) MS3102E14S-6P (CONN TYPE DEPENDENT ON CKT DESIRED)



WR430 CPRG FLANGE SHOWN 1/4-20 x .45 DP OR M6 THD FOR METRIC UNITS, 10 PL (TYP)



SPECIFICATIONS:

- FREQ RANGE — 1.70 TO 2.60 GHz
- VSWR — 1.05 : 1 MAX
- INSERTION LOSS — 0.01 db MAX
- ISOLATION — 80 db MIN
- SWITCHING TIME — .50 SEC, TYP
- DRIVE @ 28V — 3 AMPS
- DRIVE @ 117VAC — 1.5 AMPS
- PRESSURE — 30 PSIG (R-F HEAD)
- FINISH — IRIDITE AND SATIN BLACK ENAMEL

VOLTAGE	AMPS	CODE
+22 TO +32	3	A
-22 TO -32	3	B
+10 TO +14	3	C
-10 TO -14	3	D
+44 TO +54	2	E
-44 TO -54	2	F
117VAC	1.5	H
235VAC	1	K
MANUAL **		M

PART NUMBER SELECTION

CODE	FLANGE
F	CPRF
G	CPRG

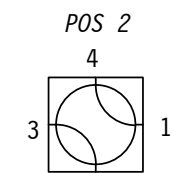
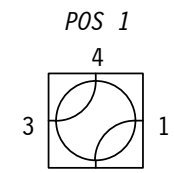
CODE	!! OPTION
M	METRIC THREAD

CODE	ENVIRONMENTAL
S	SEALED

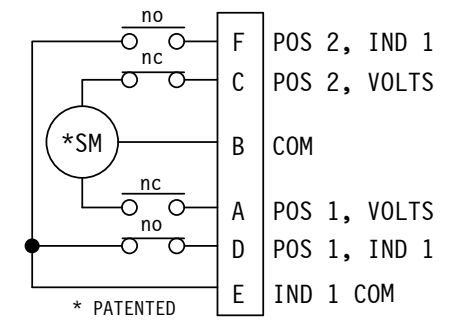
4			
PART NO.	4		
SERIES	CODE		
		SPDT	1
		!! OPTION	CODE

PART NO. EX.: 4AFS2
WR430 WG SWITCH, +28VDC, CPRF FLANGE, SEALED, ELECT CKT #2.

!! ELECTRICAL CIRCUIT (IF OTHER THAN STD.) SEE SCHEMATIC PAGE



R-F PATHS



STD. ELECTRICAL CKT. Shown in Position 1 ONE FORM C

NOTES:

1. ** MANUAL SWITCH DOES NOT INCLUDE RECEPTACLE.
2. BLUE BOXES ARE REQUIRED FIELDS.
3. !! IF OPTION IS NOT REQUIRED, LEAVE (GOLD BOX) BLANK

WEB SITE: www.sectormicrowave.com

ZONE	LTR	DESCRIPTION	APV	DATE
	A	RELEASED.	R.R.	10/11/06
REVISIONS				

TOLERANCES:	DRAWN	A.C.	10/9/06
DECIMALS	CHECKED		
2 PLACES: +/- .03	APVD	R.R.	10/9/06
3 PLACES: +/- .010	APVD		
FRACTIONS: +/- 1/64			
ANGLES: +/- 1/2 deg.			

SECTOR MICROWAVE IND., INC.			
LIGHTWEIGHT SERIES, W/G SW., SEALED			
SIZE	L MFG CODE	53263	WR430 SERIES
SCALE: NONE	UNIT WT.	SHEET 1 OF 1	A REV.