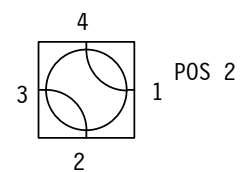
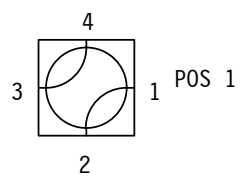


SPECIFICATIONS:
 FREQ RANGE — 1.70 TO 2.60 GHz
 VSWR — 1.05 : 1 MAX
 INSERTION LOSS — 0.01 db MAX
 ISOLATION — 80 db MIN
 SWITCHING TIME — .50 SEC, TYP
 DRIVE @ 28V — 3 AMPS
 DRIVE @ 117VAC — 1.5 AMPS
 PRESSURE — 30 PSIG (R-F HEAD)
 FINISH — IRIDITE AND SATIN BLACK ENAMEL

R-F PATHS



VOLTAGE	AMPS	CODE
+22 TO +32	3	A
-22 TO -32	3	B
+10 TO +14	3	C
-10 TO -14	3	D
+44 TO +54	2	E
-44 TO -54	2	F
117VAC	1.5	H
235VAC	1	K
MANUAL **		M

PART NO. SELECTION

CODE	FLANGE	CODE	!! OPTION
F	CPRF	M	METRIC THREAD
G	CPRG		(USED IN A SHELTERED ENVIRONMENT)
		W	ENVIRONMENTAL SHELTERED

PART NO. SERIES	4
CODE	4

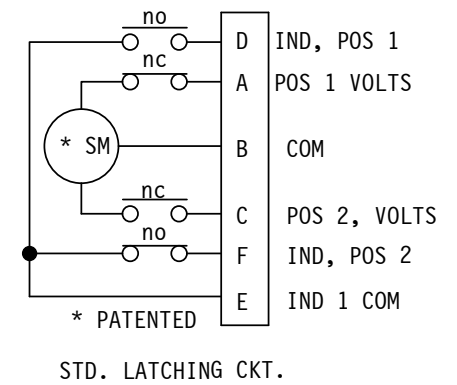
SPDT	1
!! OPTION	CODE

!! ELECTRICAL CIRCUIT (IF OTHER THAN STD.) SEE SCHEMATIC PAGE

NOTES:
 1. ** MANUAL SWITCH DOES NOT INCLUDE RECEPTACLE.
 2. BLUE BOXES ARE REQUIRED FIELDS.
 3. !! IF OPTION IS NOT REQUIRED, LEAVE (GOLD BOX) BLANK

PART NO. EX.: 4AGW2
 WR430 WG SWITCH, +28VDC, CPRG (GROOVED) FLANGE, SHELTERED, CKT #2

WEB SITE: www.sectormicrowave.com



ZONE	LTR	DESCRIPTION	APV	DATE
	-	RELEASED	RR	4/10/00
REVISIONS				

TOLERANCES:	DRAWN	A.C.	4/10/00
DECIMALS	CHECKED		
2 PLACES: +/- .03	APVD	R.K.	4/10/00
3 PLACES: +/- .010	APVD		
FRACTIONS: +/- 1/64			
ANGLES: +/- 1/2 deg.			

SECTOR MICROWAVE IND., INC.			
WR430 LIGHTWEIGHT SERIES, W/G SW., SHELTERED			
SIZE	L	MFG CODE	53263
4xxw SERIES		SCALE: NONE	UNIT WT.
-		SHEET 1 OF 1	
REV.			