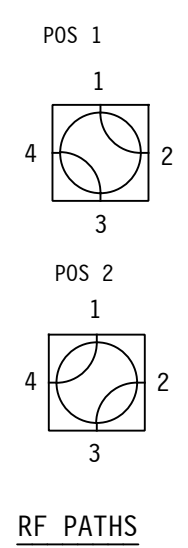
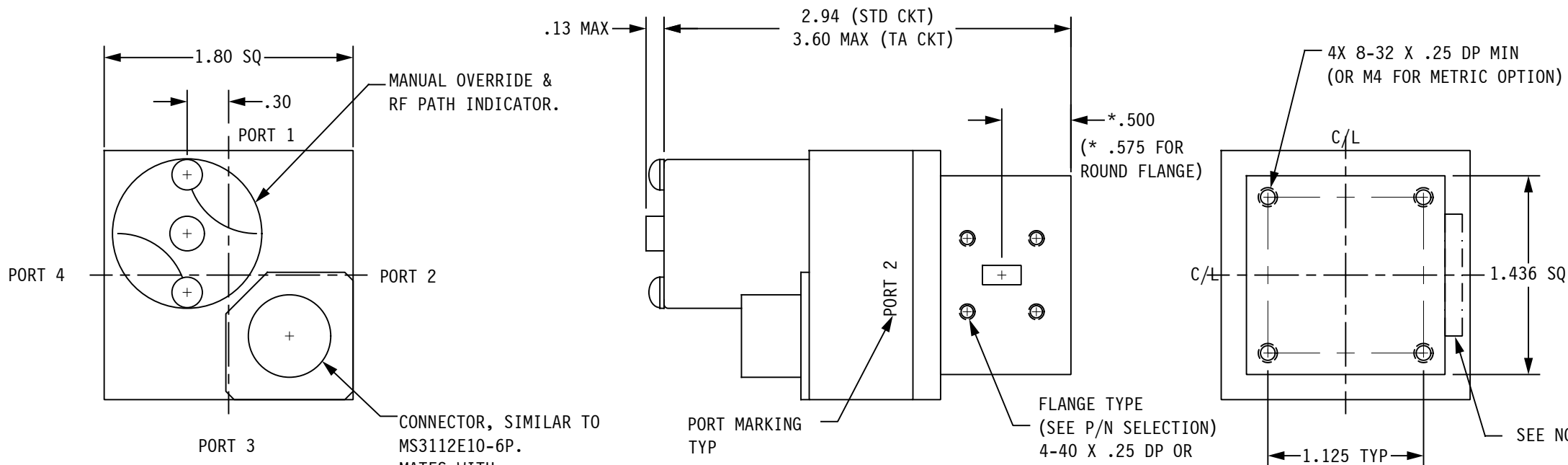


**WR28 (V) SERIES**



**SPECIFICATIONS:**  
 FREQ RANGE — 26.5 TO 40.0 GHz  
 VSWR — 1.15 : 1 MAX, 1.10 : 1 TYP  
 ISOLATION — 55 dB MIN  
 INSERTION LOSS — 0.15 dB MAX  
 SWITCHING TIME — 50 mSec  
 PRESSURE — TO 30 PSIG (RF HEAD ONLY)  
 LIFE — 200,000 OPERATIONS, MIN  
 FINISH — CHEM FILM ON FLANGES, SATIN BLACK ON REST OF BODY.

VOLTAGE	AMPS	CODE
+22 TO +32	0.9	A
-22 TO -32	0.9	B
+10 TO +14	1.5	C
-10 TO -14	1.5	D
+44 TO +54	0.5	E
-44 TO -54	0.5	F
117VAC	0.5	H
MANUAL **		M

**PART NO. SELECTION**

CODE	FLANGE
P	PLAIN
C	CHOKE
O	O-RING
R	ROUND

CODE	!! OPTION
M	METRIC THREAD

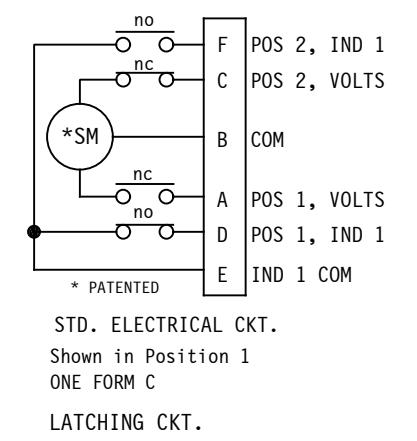
CODE	!! OPTION
TA	STD TTL CKT (10-6P CONN) [SEE SCHEMATIC PAGE]

V			
PART NO. SERIES	V CODE	SPDT ##	1
		!! OPTION	CODE

SEE NOTE 4

**STANDARD ELECTRICAL CIRCUIT REQUIRES NO CODE DESIGNATION.**

PART NO. EX.: VAPM  
 WR28 LATCHING WG SWITCH, +28VDC, PLAIN (SQUARE) FLANGE, METRIC HOLES



- NOTES:**  
 1. \*\* MANUAL SWITCH DOES NOT INCLUDE RECEPTACLE.  
 2. BLUE BOXES ARE REQUIRED FIELDS.  
 3. !! IF OPTION IS NOT REQUIRED, LEAVE (GOLD BOX) BLANK  
 4. ## SINGLE POLE DOUBLE THROW (SPDT) OPTION ADDS A SHORTING PLATE ON PORT 4.

WEB SITE: [www.sectormicrowave.com](http://www.sectormicrowave.com)

ZONE	LTR	DESCRIPTION	APV	DATE
	D	CLARIFIED CONNECTOR AND MATING CONNECTOR	RR	10/1/13
	C	CLARIFIED OVERALL DIMS FOR STD AND TA CKT.	RR	4/19/13
	B	UPDATED VSWR SPEC.	RR	6/24/09
	A	REVISED OPTIONS LIST.	TN	1/8/08
<b>REVISIONS</b>				

TOLERANCES:  
 DECIMALS  
 2 PLACES: +/- .03  
 3 PLACES: +/- .010  
 FRACTIONS: +/- 1/64  
 ANGLES: +/- 1/2 deg.

DRAWN	A.C.	4/27/98
CHECKED		
APVD	S.W.	4/27/98
APVD		

**SECTOR MICROWAVE IND., INC.**

WR28 W/G SWITCH SERIES

SIZE L	CAGE CODE <b>53263</b>	<b>Vxx</b> SERIES	D
SCALE: NONE	UNIT WT.	SHEET 1 OF 1	REV.