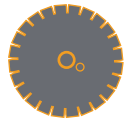


100 SERIES

M100-14HP-G



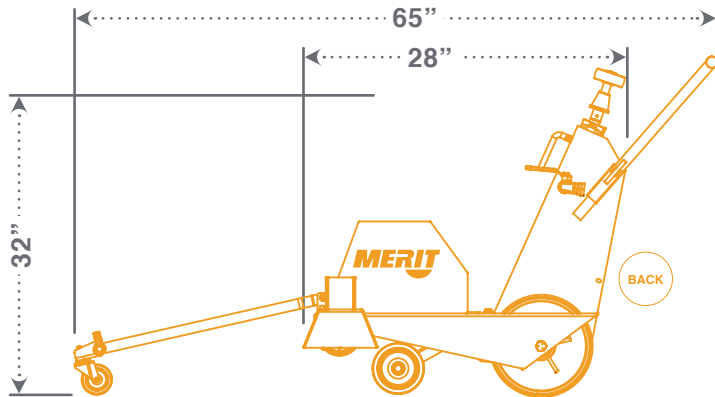
14"- 24"
10" Max Cut



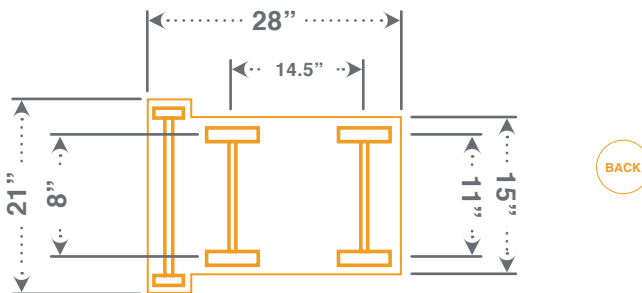
GAS



AIR COOLED



LEFT SIDE VIEW



BOTTOM VIEW

LIST PRICE

\$3,880.86

FEATURES

Merit's 100 series floor saws are designed to be lightweight and compact for small to mid-size jobs and are available in two engine options—14HP gas and 30HP hydraulic—to best fit your site requirements. As with all Merit saws, 100 series frames are fully-welded with high-grade steel for added durability.

SPECIFICATIONS

Raise & Lower Control	Mechanical
Air Filter	Engine supplied
Blade Mounting	Left and right
Blade Shaft Drive	1" with 4" arbors
Weight	200 lbs.
Drive Speed	Push
Depth Control	Mechanical
Spindle Size	1.25" with tapered roller bearings
Arbor Size	1"
Engine Manufacturer	Kohler
Fuel Capacity	1.5 gallons

CONFIGURATION

Single-speed

OPTIONAL ACCESSORIES

Blade guards 14" - 24"