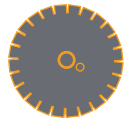
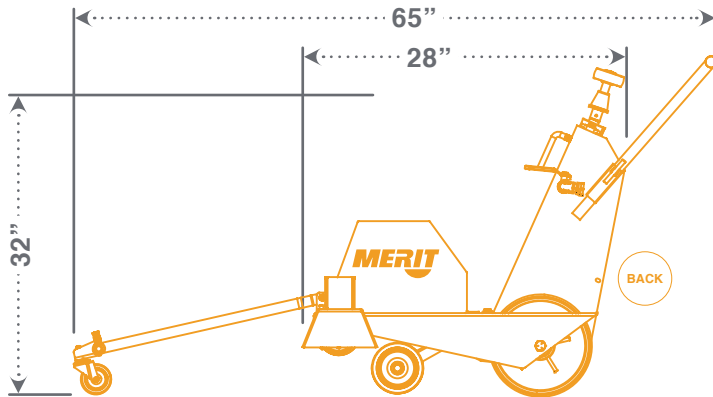


100 SERIES

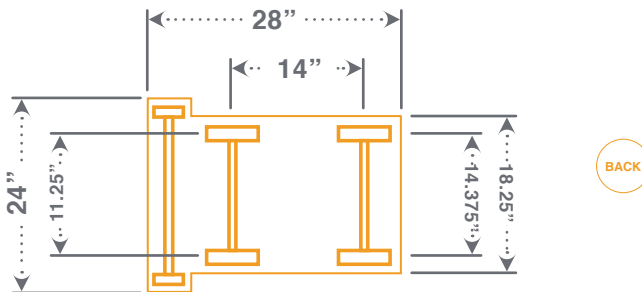
# M100W-5HP-E



14" - 24"  
10" Max Cut



LEFT SIDE VIEW



BOTTOM VIEW

## LIST PRICE

See Configurations

## FEATURES

Merit's 100W series floor saws are designed to be lightweight and compact for small to mid-size jobs and are available in three electric options (5HP, 7.5HP, and 10HP) and one gas option (25HP) to best fit your site requirements. As with all Merit saws, 100W series frames are fully-welded with high-grade steel for added durability. Note: the 100W series is slightly wider than the 100 series to accommodate engine options.

## SPECIFICATIONS

<b>Raise &amp; Lower Control</b>	Mechanical
<b>Air Filter</b>	N/A
<b>Blade Mounting</b>	Left and right
<b>Blade Shaft Drive</b>	1" with 4" arbors
<b>Weight</b>	220 lbs.
<b>Drive Speed</b>	Push
<b>Depth Control</b>	Mechanical
<b>Spindle Size</b>	1.25" with tapered roller bearings
<b>Arbor Size</b>	1"
<b>Engine Manufacturer</b>	Baldor
<b>Voltage Options</b>	220V 3-phase or 480V 3-phase

## CONFIGURATIONS

- 5HP, Single-speed  
List Price: \$4,033.67
- 7.5HP, Single-speed  
List Price: \$4,538.50
- 10HP, Single-speed  
List Price: \$4,930.67

## OPTIONAL ACCESSORIES

- Blade guards 14" - 24"