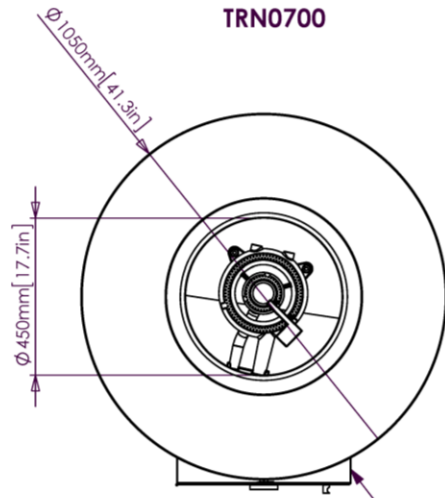
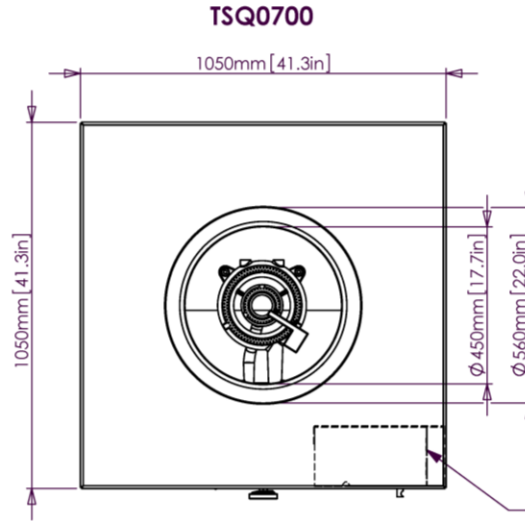


TBR0700



TRN0700



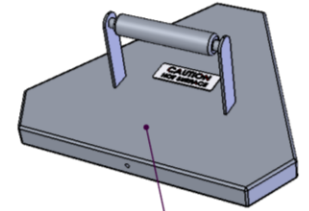
TSQ0700

1200mm [47in] QUICK RELEASE FLEXIBLE HOSE SUPPLIED WITH 15mm (1/2") (M) END CONNECTION (60Mj - 56 000 BTU) - ALL MODELS

1200mm [47in] QUICK RELEASE FLEXIBLE HOSE SUPPLIED WITH 15mm (1/2") (M) END CONNECTION (60Mj - 56 000 BTU) - ALL MODELS

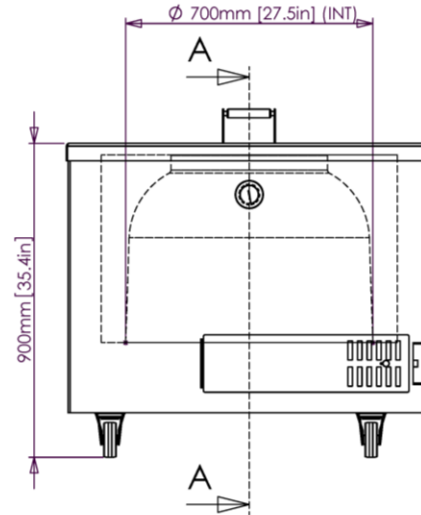
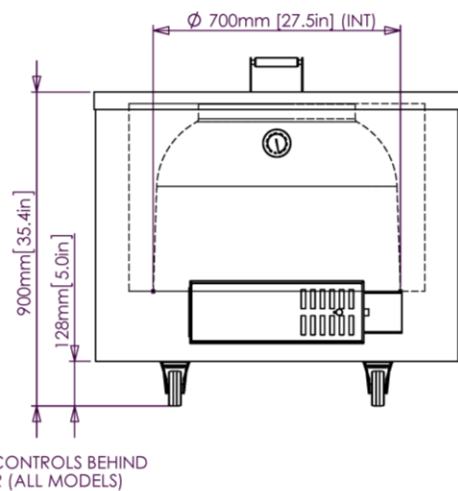
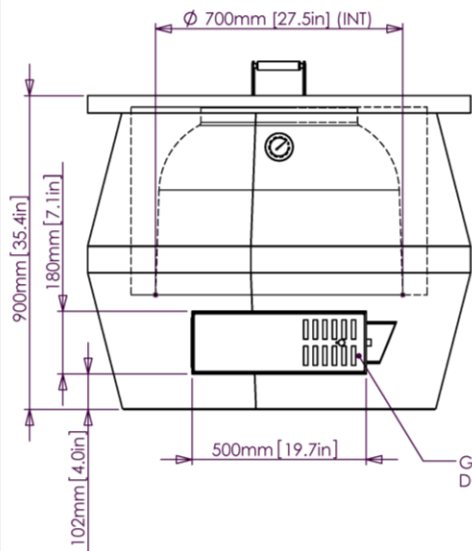
SERVICES REQUIRED

- GAS HEAT INPUT 60Mj (56000 BTU)
- 15mm (1/2") GAS LINE CONNECTION (1200mm QUICK RELEASE FLEXIBLE HOSE SUPPLIED)
- ELECTRIC TANDOR - 380-450V 3 PHASE (NO NEUTRAL)
- EXHAUST DUCTING/CANOPY IN ACCORDANCE WITH LOCAL REGULATIONS

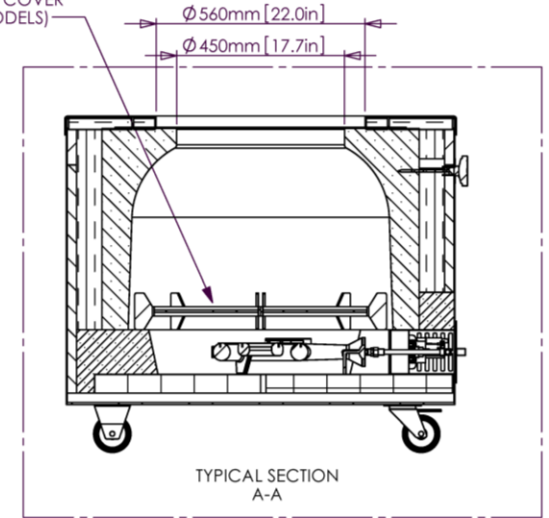


TYPICAL LID

1200mm [47in] QUICK RELEASE FLEXIBLE HOSE SUPPLIED WITH 15mm (1/2") (M) END CONNECTION (60Mj - 56 000 BTU) - ALL MODELS



BURNER COVER (ALL MODELS)



TYPICAL SECTION A-A

REV.	DESCRIPTION OF CHANGES	DATE	CHANGED BY
0	ISSUED FOR CONSTRUCTION		

LAST EDITED: Monday, 12 December 2011 8:24:46 PM

©Copyright 2006 Beech Ovens Pty Ltd. All rights reserved.



Drawn S Trood	Checked	Scale 1:15	Date 12/12/2011
TBR0700 - TRN0700 - TSQ0700 Ø700mm (27.5") INTERNAL STANDARD			A3 NTS - SITE MEASURE
TANDOR Ø700 INTERNAL SPEC SHEET - DETAILS			