

# EDO **ELECTRIC**

**SAME MARSAL BAKE THROUGH ELECTRIC POWER.**



exclusively designed elements deliver  
a quick, even bake throughout.

infinite controls allow precise  
top and bottom temperatures.

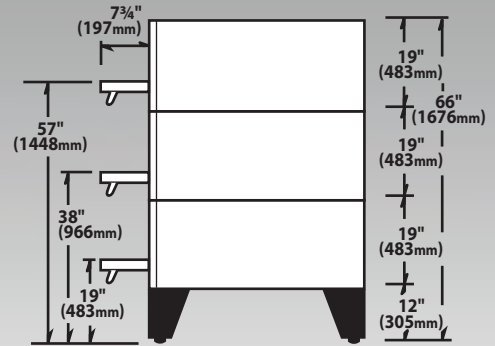
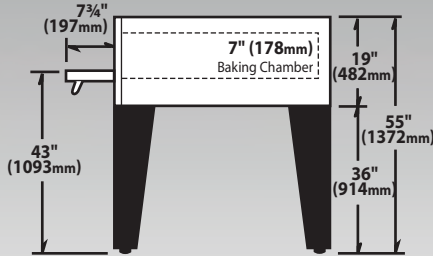
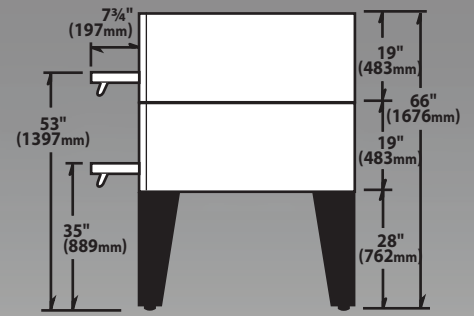
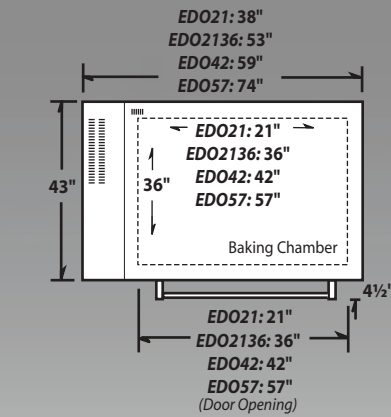
one-inch thick stone hearth  
produces crispier bake.

**MARSAL**  
PIZZA OVENS

## specifications

Marsal's EDO Electric Deck Oven Series is the ideal solution for getting the great bake and quality taste of a deck oven while using the efficiency of electric power. Available in three sizes and stackable to three decks, the EDO series offers the best features to be found in an electric deck oven.

- 300 - 700 degree thermostat
- Infinite Top & Bottom heat controls
- Moisture outlet
- 7" deck height (178mm) with 1" hearth stone decks
- Stainless steel front and sides exterior
- Aluminized steel interiors
- Fully insulated
- 1 year labor and 18 month parts warranty



		Single	Double	Triple
Height	All	55"	66"	69"
Depth x Length	EDO2136	28" x 53"	28" x 53"	28" x 53"
	EDO42	43" x 59"	43" x 59"	43" x 59"
	EDO57	43" x 74"	43" x 74"	43" x 74"
Cooking Surface	EDO2136	21" x 36"	21" x 36" x 2	21" x 36" x 3
	EDO42	36" x 42"	36" x 42" x 2	36" x 42" x 3
	EDO57	36" x 57"	36" x 57" x 2	36" x 57" x 3
# of Decks	All	1	2	3
Shipping Weight	EDO2136	380 lbs.	710 lbs.	1,020 lbs.
	EDO42	700 lbs.	1,390 lbs.	2,010 lbs.
	EDO57	870 lbs.	1,650 lbs.	2,430 lbs.

Power Supply	EDO 2136	WATTS	
		4,000	4,000
		VOLTS	
		208	220-240
		PHASE	
		1	1
		AMPS	
		20	17

EDO42	WATTS			
	8,000	8,000	8,000	8,000
	VOLTS			
	208	220-240	208	220-240
	PHASE			
	3	3	1	1
	AMPS			
	27	24	39	35

EDO57	WATTS			
	12,000	12,000	12,000	12,000
	VOLTS			
	208	220-240	208	220-240
	PHASE			
	3	3	1	1
	AMPS			
	33	30	58	52



44 Lakeside Ave.  
Burlington, VT 05401

(802) 658-6600  
F. (802) 864-0183



Made in the USA