



retro

REPLACEMENT LED POOL LIGHT

A detailed line drawing of a circular pool light fixture. The outer ring features several semi-circular protrusions. The inner section is a large circle filled with a dense grid of small circles, representing the LED array.

RETRO INSTALLATION

**INSTALLATION &
OWNER'S MANUAL**

CONTENTS

READ THIS FIRST	2
TOOLS REQUIRED / PRODUCT SUPPORT	3
INCLUDED PARTS	4
BEFORE YOU START	5
EXISTING LIGHT REMOVAL	6
LIGHT INSTALLATION	7
MULTI PLUS SETUP	14
MULTI PLUS STANDALONE OPERATION	16
MULTI PLUS COLOUR MODES	17
TRI COLOUR OPERATION	18

READ THIS FIRST

The GK-Retro LED Light now utilises **variable voltage operation** allowing the light to operate on any existing **12v AC / 24v AC or 32v AC** power supply.

NOTE:

The use of DC / Electronic (or switch mode) power supplies is **not** permitted as they can cause disruptions in the lights normal operation & in some cases damage the lights internal electronic components. For more information, please contact Spa Electrics Pty Ltd.

**For safe & proper installation, use only parts (screws, plugs, sealant etc) provided.
For Multi Colour operation, please refer to the MULITPLUS Operating Manual**



WARNING

- The GK-Retro Light must be water cooled at all times. DO NOT switch the light on until installation is complete and the light is fully submerged in water.
- Ensure sufficient cable is coiled behind the light to allow for servicing (approx 300-600mm)
- Ensure only circular cable not exceeding 10mm diameter is connected to the GK-Retro Light. The use of Fig. 8 or TPS cable will not seal correctly & will void the product warranty.
- The GK-Retro LED Light does not contain any user serviceable parts, opening the light will void the product warranty.
- When using the 'B' plate for fibreglass installations - ensure that silicon sealant is applied to fixing screws to seal the fibreglass wall.
- The GK-Retro Light is NOT suitable for horizontal mounting.
- This light contains no user-serviceable parts; opening the light will void the product warranty
- Pool chemicals & PH levels: Due to the corrosive nature of unbalanced pool chemicals, Spa Electrics strongly recommend that your pool water is balanced prior to installing your pool Lights or any plastic or stainless steel components, and tested weekly to maintain these levels. pH levels should be maintained between 7.2- 7.6 at all times to ensure the longevity of these components.
 - Failure to do so can result in chemical damage to the light housing and pool fittings, including stainless steel components.
 - Please note: Lights or components found to have excessive chemical damage will not be covered under our manufacturer's warranty policy

TOOLS REQUIRED

- No. 2 Phillips screwdriver
- Flat-blade screw driver
- Side Cutters / Pliers
- RTV Silicon (Fibreglass Pools Only)



IMPORTANT

With the exception on step 2 of the "LIGHT INSTALLATION", All installation steps should be carried out with manual tools only.

The use of power tools (such as 240v and cordless drills) during installation is **not** recommended as these devices can cause faults and damage to light components

PRODUCT SUPPORT & INFORMATION

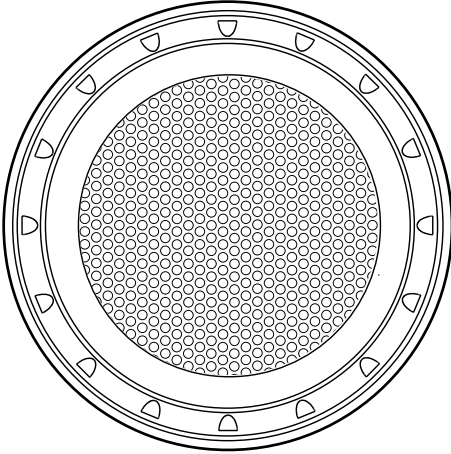
Phone: +61 3 9793 2299 (business hours)

Email: sales@spaelectrics.com.au (SALES enquiries)

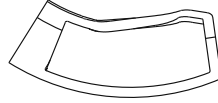
Email: tech@spaelectrics.com.au (TECHNICAL support enquiries)

Web: www.spaelectrics.com.au

INCLUDED PARTS



1 X GKRX LIGHT



4 X CABLE GLANDS



4 X SCREW 1" X 8



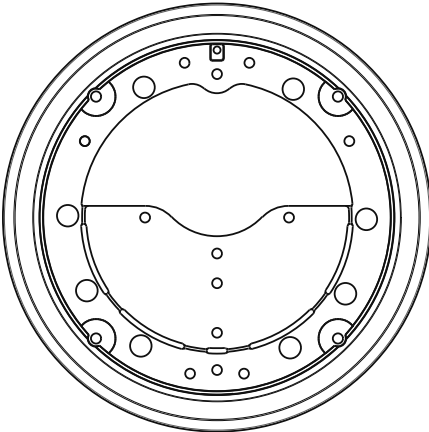
4 X SCREW M4 X 12P



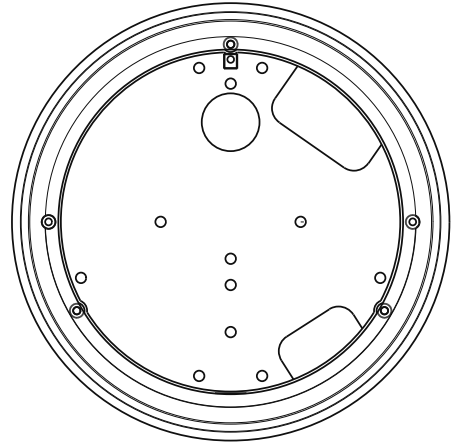
4 X SCREW 1 1/4" X 8



1 X CABLE SEAL KIT



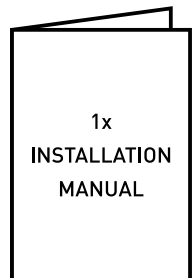
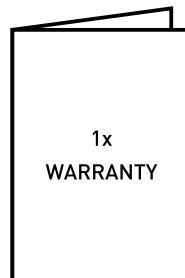
RETRO PLATE 'A'



RETRO PLATE 'B'

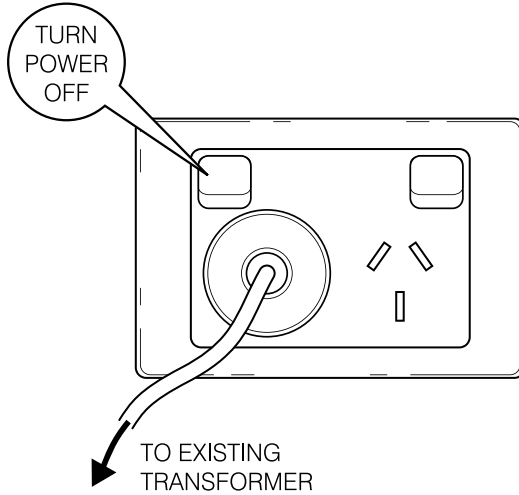
ALSO INCLUDED

STAINLESS STEEL [316]
MOUNTING SCREW KIT



BEFORE YOU START

1 ISOLATE POOL LIGHTS



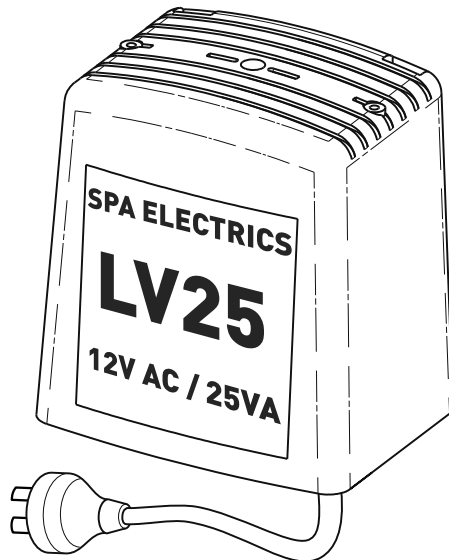
2 CHECK TRANSFORMER

EXISTING TRANSFORMER
MUST BE:

- 12V~32V AC ONLY
- MIN. 15 WATT (PER LIGHT)
- IN GOOD WORKING ORDER

EXISTING TRANSFORMER
MUST **NOT** BE:

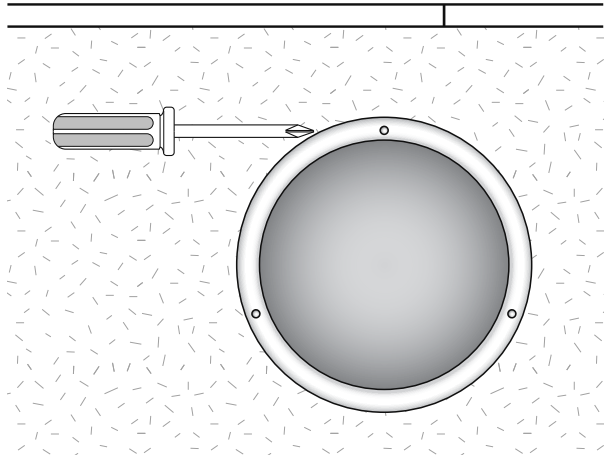
- DC OR 'LED DRIVER'
- ELECTRONIC OR SWITCH MODE
- WEATHER DAMAGED OR IN OTHERWISE POOR CONDITION



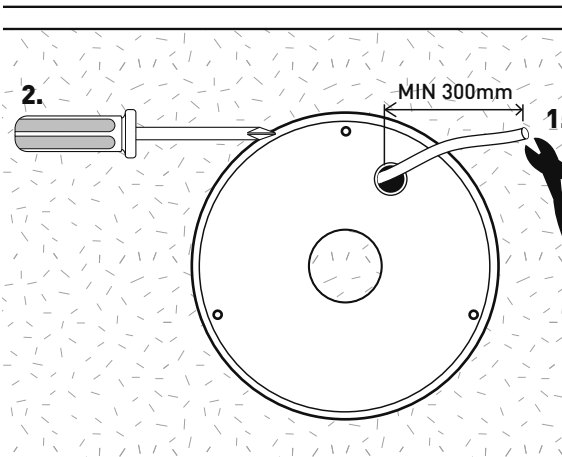
REMOVAL OF EXISTING LIGHT

1 REMOVE EXISTING LIGHT

1. REMOVE EXISTING POOL LIGHT FROM POOL WALL.



2 REMOVE EXISTING BRACKET



1. DISCONNECT CABLE TO POOL LIGHT, LEAVING AS MUCH EXCESS CABLE AS POSSIBLE.

2. REMOVE EXISTING BRACKET FROM POOL WALL.



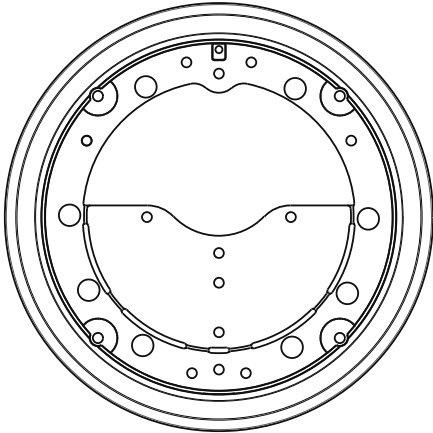
IMPORTANT

DO NOT REMOVE CABLE GLAND FROM FIBREGLASS OR VINYL POOLS.

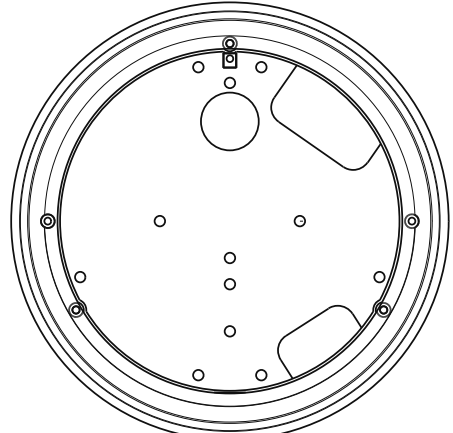
LIGHT INSTALLATION

ENSURE SYSTEM IS TURNED OFF & ISOLATED PRIOR TO INSTALLING LIGHT FITTING.

1 SELECT CORRECT BRACKET



RETRO PLATE 'A'
CONCRETE INSTALLATIONS



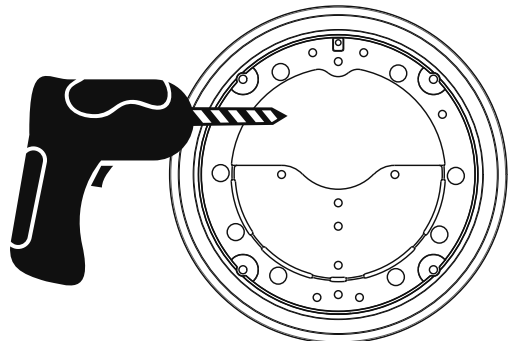
RETRO PLATE 'B'
FIBREGLOSS/VINYL INSTALLATIONS

USING THE INFORMATION IN STEP 3 SELECT THE APPROPRIATE RETRO BRACKET FOR YOUR INSTALLATION.

2 BRACKET MODIFICATION

IN MOST CASES THE PRE MADE MOUNTING HOLES WILL ALIGN WITH MAJOR BRAND POOL LIGHTS.

HOWEVER IF REQUIRED, IT IS PERMISSABLE TO DRILL NEW HOLES IN THE RETRO PLATES IN ORDER TO MOUNT TO EXISTING POSITIONS.



3

EXISTING LIGHT IDENTIFICATION

AUTUMN SOLAR SLIM 180

* Also suitable for Magic / Questa / Waterlinx / Pantera light



POOL	PLATE	REMOVE TABS
TILED	[A]	-
RENDERED	[B]	-
FIBREGLASS	[B]	D
VINYL	(N/A)	(N/A)

PLATE 'A'

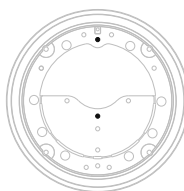
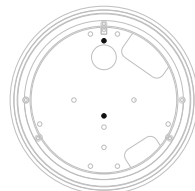


PLATE 'B'



AQUAQUIP QC SERIES



POOL	PLATE	REMOVE TABS
TILED	[A]	(N/A)
RENDERED	[B]	-
FIBREGLASS	[B]	-
VINYL	(N/A)	(N/A)

PLATE 'A'

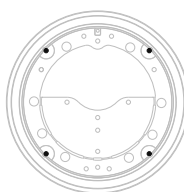
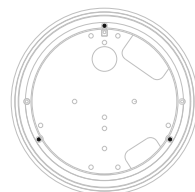


PLATE 'B'

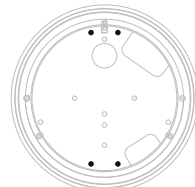


FILTRITE PAR 56



POOL	PLATE	REMOVE TABS
TILED	[B]	-
RENDERED	[B]	-
FIBREGLASS	[B]	-
VINYL	[B]	-

GK6710



POOLRITE TRIMLITE



POOL	PLATE	REMOVE TABS
TILED	[A]	-
RENDERED	[B]	-
FIBREGLASS	[B]	D, E, F, G, H, J, K
VINYL	(N/A)	(N/A)

PLATE 'A'

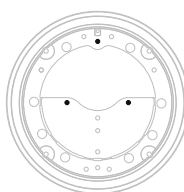
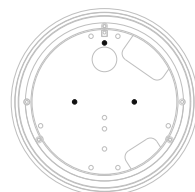


PLATE 'B'



SPA ELECTRICS SE3M



POOL	PLATE	REMOVE TABS
TILED	[A]	-
RENDERED	[B]	-
FIBREGLASS	[B]	D
VINYL	[B]	-

PLATE 'A'

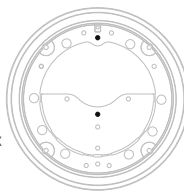
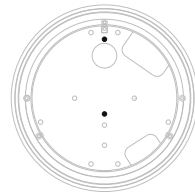


PLATE 'B'



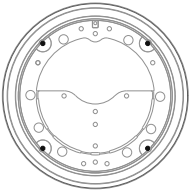
* Note: SE3 Lights with suction outlet cannot be replaced with the GKRX model due to suction installation standards. For more information contact Spa Electrics.

3

EXISTING LIGHT IDENTIFICATION CONT.

STROUD C150

PLATE 'A'



POOL	PLATE	REMOVE TABS
TILED	[A]	-
RENDERED	[A]	-
FIBREGLASS	[A]	-
VINYL	[N/A]	[N/A]

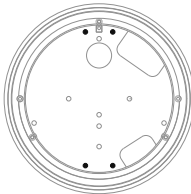


STROUD SM400

GK6710



PLATE 'B'

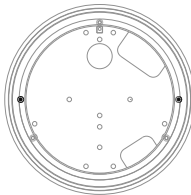


POOL	PLATE	REMOVE TABS
TILED	[B]	-
RENDERED	[B]	-
FIBREGLASS	[B]	-
VINYL	[N/A]	[N/A]

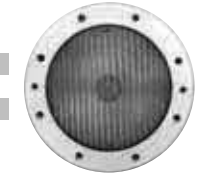


SWIMWORLD POOL LIGHT

PLATE 'B'



POOL	PLATE	REMOVE TABS
TILED	[B]	-
RENDERED	[B]	-
FIBREGLASS	[B]	-
VINYL	[N/A]	[N/A]



WATERCO LITESTREAM

PLATE 'A'

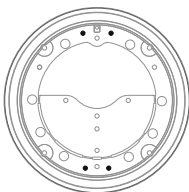
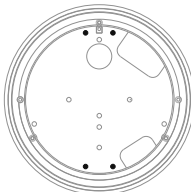


PLATE 'B'



* Also suitable for Britestream LED model

POOL	PLATE	REMOVE TABS
TILED	[A]	-
RENDERED	[B]	-
FIBREGLASS	[B]	E,G,H
VINYL	[B]	-



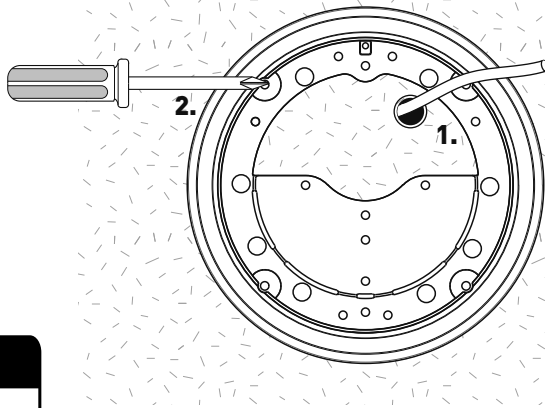
IMPORTANT

THESE MOUNTING LOCATIONS ARE PROVIDED AS A GUIDE ONLY. IN SOME CASES MOUNTING LOCATIONS CAN VARY FROM THE DESIGNATED POSITIONS. IN THESE INSTANCES DRILLING NEW MOUNTING HOLES MAY BE REQUIRED. **SEE STEP 2 FOR DETAILS**

4

INSTALLING RETRO BRACKET

1. FEED POOL LIGHT CABLE THROUGH SUITABLE LOCATION ON RETRO BRACKET
2. AFFIX BRACKET TO EXISTING MOUNTING LOCATIONS USING STAINLESS STEEL SCREW KIT PROVIDED.



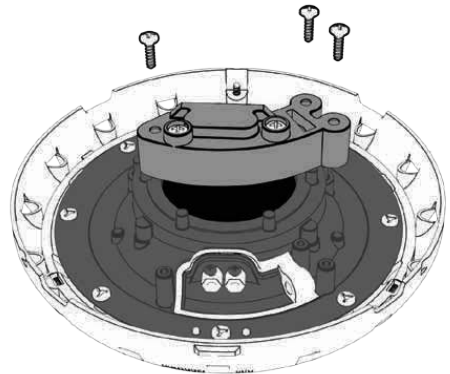
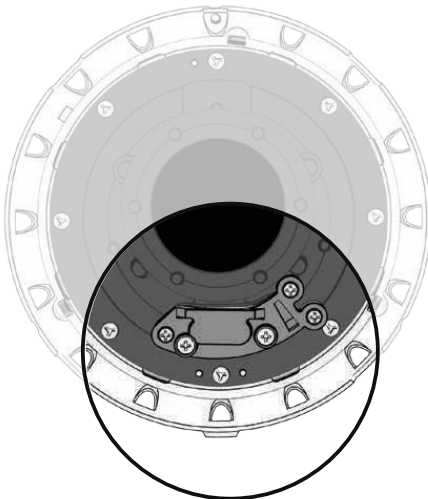
NOTE

FOR FIBREGLASS POOLS, APPLY RTV SILICONE TO MOUNTING SCREW THREADS

5

CONNECTING CABLE TO LIGHT

REMOVE TERMINAL COVER



USING A #2 PHILIPS SCREW DRIVER REMOVE THE 3 FIXING SCREWS AND TERMINAL COVER TO REVEAL THE TERMINAL CONNECTION.

6

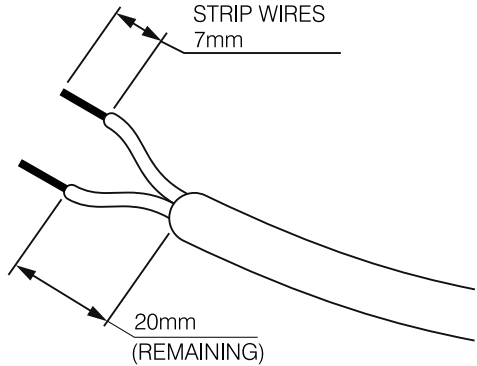
CABLE PREPERATION

STRIP POOL LIGHT CABLE TO SPECIFIED LENGTH.



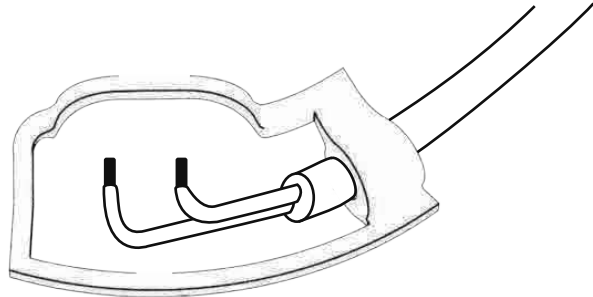
NOTE

IF CABLE LENGTH ALLOWS, CUT CABLE BACK UNTIL FRESH COPPER APPEARS.



SELECT AN APPROPRIATE CABLE GLAND BY TESTING EACH GLAND ON THE EXISTING CABLE.

THE FITMENT SHOULD BE FIRM OVER THE CABLE WITHOUT BULGING OR DEFORMING THE GLAND.



7

ATTACH CABLE TO LIGHT

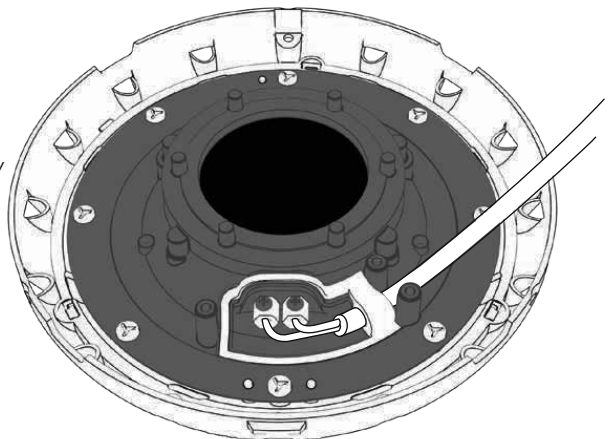
ATTACH WIRES TO TERMINALS ON REAR OF LIGHT, USING A FLAT BLADE SCREWDRIVER.

ENSURE GLAND IS CORRECTLY SEATED AND NOT TWISTED.



NOTE

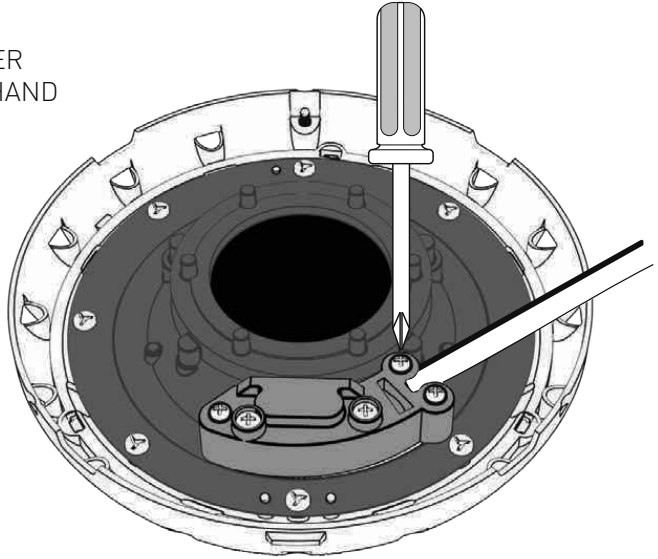
AS THE LIGHTS OPERATE ON AC VOLTAGE THERE IS NO POLARITY.



8

ATTACH CABLE TO LIGHT CONT.

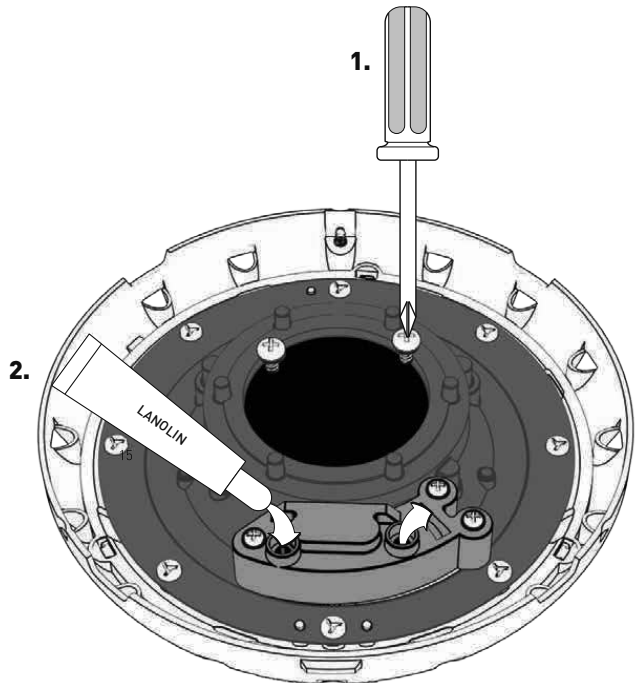
REPLACE TERMINAL COVER
AND SECURE FIRMLY BY HAND
ONLY.



9

INJECT LANOLIN GREASE

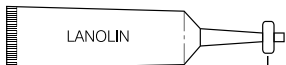
1. REMOVE 2 X FILLER SCREWS & O'RING SEALS.
2. INJECT LANOLIN INTO LEFT FILLER HOLE UNTIL VISIBLE IN RIGHT FILLER HOLE.
3. REPLACE THE O'RING SEALS AND SCREWS IN THE FILLER HOLES. ENSURE NOT TO OVER TIGHTEN



LANOLIN USE



- 1 GENTLY WARM LANOLIN TUBE



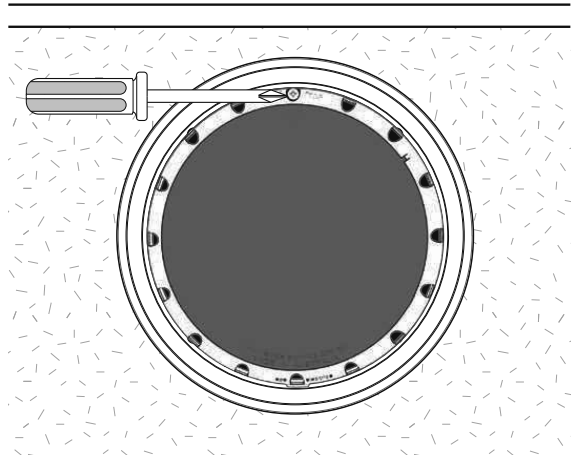
REMOVE LID 2

10 ATTACH LIGHT TO BRACKET

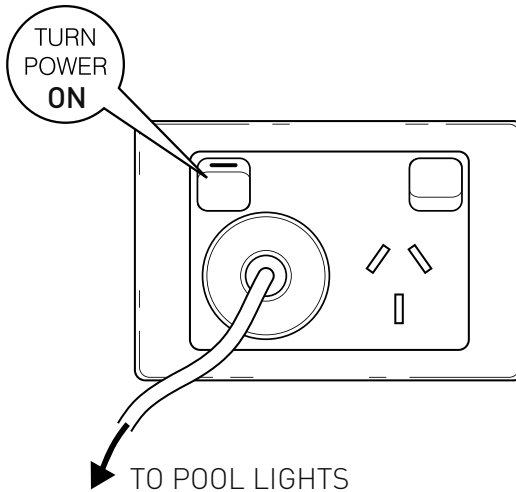
COIL EXCESS CABLE BEHIND
POOL LIGHT

ATTACH LIGHT TO BRACKET
BY INSERTING TAB AT BASE
OF LIGHT INTO BRACKET
AND INSERTING M4 X 12P
SCREW.

TIGHTEN GENTLY BY HAND
ONLY.



11 TEST SYSTEM



MULTI PLUS SETUP

READ THIS FIRST

The MULTI-PLUS light has 5 inbuilt modes of operation for use on a variety of different control systems or installation types.

When you first install your MULTI-PLUS light it will operate in the default, 'Manual' mode for use with a wall switch. In order to connect the light to a 3rd party pool controller OR change to a different operating mode please follow the below steps.

STEP 1 - POOL CONTROLLER SETUP

If connecting to a pool controller, please ensure the system is fully installed and you have completed all the relevant steps in the controller setup menu to operate the lights correctly.

During pool controller setup you will be prompted to select which light model is installed. Please use the below table to select the appropriate light for your pool controller type.

(For more information on this please refer to the pool controller installation manual).

POOL CONTROLLER	SELECT LIGHT MODEL
Astral Connect 10 (2016 to current)	SLX Light
Jandy Aqualink RS (F/W Rev. 'R' - Current)	Intellibrite Light
Zodiac Aqualink TRI	Intellibrite Light
Pentair EasyTouch	Intellibrite Light
Pentair IntelliTouch	Intellibrite Light
Hayward Omnilogic	[UCL]Universal Colorlogic
	[CL 4.0]Colorlogic 4.0

iRIS Setup

If installing the MULTI PLUS with an **iRIS** remote, please see the **iRIS** installation manual for 'Quick Setup' procedure.

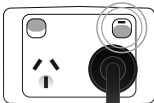
NOTE: Some older pool controllers may not support these models. Please contact the controller manufacturer for upgrade assistance.

STEP 2 - LIGHT SETUP

IMPORTANT: Ensure Lights have been off for **30 seconds** prior to performing this step.

NOTE: This step can either be performed via a wall switch OR via the controller panel/Mobile App.

1. TURN LIGHTS ON



WAIT 1 SECOND

TURN LIGHTS OFF

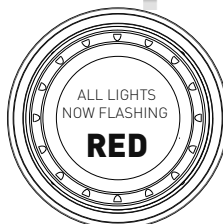
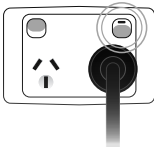


WAIT 10 SECONDS
(min 10s - max 15s)

REPEAT

x 3

2. TURN LIGHTS ON



NOTE:

If ALL Lights connected to circuit are NOT continuously flashing RED, please turn Lights OFF & wait 30 seconds before repeating STEP 2

Continue to STEP 3



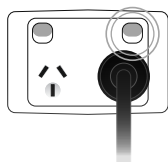
MULTI PLUS SETUP cont.

STEP 3 - SELECTING OPERATING MODE

After accessing SETUP MODE (STEP 2) the lights will **FLASH RED** continuously. This is MODE 1 (Manual mode)

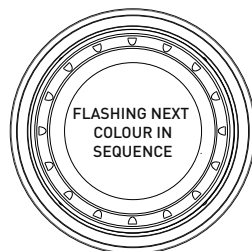
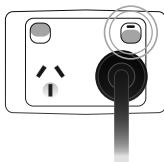
Use the below process to change the operating mode to correspond to the required controller or operating type below.

TURN LIGHTS **OFF**



WAIT 1 SECOND

TURN LIGHTS **ON**



IMPORTANT: Once desired mode is reached (i.e. "Flashing Green - iRIS Mode) leave power turned ON and continue to STEP 4

'FLASHING' COLOUR	CONTROLLER / OPERATING TYPE	LIGHT MODEL SELECTED*
1. RED	Manual Mode (wall switch)	-
2. GREEN	Spa Electrics iRIS Controller	-
3. MAGENTA	Astral Connect 10 (2016 to current)	SLX Light
4. WHITE	Jandy Aqualink RS (F/W Rev. 'R' -Current)	Intellibrite Light
	Zodiac Aqualink TRI	Intellibrite Light
	Pentair EasyTouch	Intellibrite Light
	Pentair IntelliTouch	Intellibrite Light
5. BLUE	Standard MULTI Mode* (wall switch)	-
6. YELLOW	Hayward Omnilogic	Universal Colorlogic
7. ORANGE	Hayward Omnilogic	Colorlogic 4.0

NOTE: Should the lights go out of sync at any point during Step 3, turn off the lights for 30 seconds then restart the setup process from Step 2. If this issue persists contact Spa Electrics Support. (03) 9793 2299

Continue to STEP 4



*Light Model Selected:

This indicates the model of light to be selected in the Pool Controller setup menu.

Refer to STEP 1 of this manual for more information or please contact Spa Electrics. (03) 9793 2299

*Standard MULTI Mode:

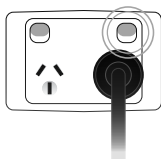
This mode allows the MULTI PLUS light to operate in the standard MULTI-Colour mode. This mode should only be used when operating a MULTI PLUS light from a wall switch or RM-2, in conjunction with a standard Spa Electrics MULTI-Colour light. For more information please contact Spa Electrics. (03) 9793 2299

MULTI PLUS SETUP cont.

STEP 4 - SAVING OPERATING MODE

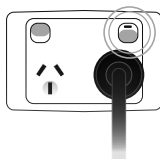
Once the desired operating mode is selected follow these steps to save the selection.

TURN SYSTEM **OFF**



WAIT **30** SECONDS

TURN SYSTEM **ON**



Important

You must wait at least **30** Seconds prior to turning the system back **ON** or selection process will fail and setup will need to be restarted.

STEP 5 - CONFIRM OPERATION

Your setup should now be complete. To confirm the system is working correctly, select a colour via the controller or wall switch (depending on operating mode selected) and check to ensure all lights are synchronised and the correct colour is displayed.

Refer to pg. 17 for available colours.

MANUAL MODE USER INSTRUCTIONS

OPERATING INSTRUCTIONS

1. To change the color of the light, simply turn your light **OFF** for **2** seconds and then turn it back **ON**. This will signal the light to proceed to the next colour in the sequence.

Refer to pg. 17 for available colours.

2. Your lights will automatically save your selected colour once the power has been turned **OFF** for more than **1** minute. So the next time the lights are used, they will illuminate on the last operated colour.
3. To reset or '**synchronize**' your lights; with the power turned **ON**, turn the power **OFF/ON** once rapidly. This will **RESET** your lights to **WHITE**

SYNCHRONIZED INSTALLATION

When installing multiple lights; to ensure synchronization and ease of operation, ALL Lights must operate from a single switch.

OPERATING MODE COLOURS

MANUAL MODE (DEFAULT)

1	WHITE 4000K
2	AQUA
3	BLUE
4	MAGENTA
5	RED
6	LIME
7	GREEN
8	OCEANIC VIEWS
9	TRANSCENDENCE
10	OUTBACK AUSTRALIA
11	SPRING EQUINOX

IRIS MODE

1	WHITE 4000K
2	AQUA
3	BLUE
4	MAGENTA
5	RED
6	LIME
7	GREEN
8	OCEANIC VIEWS
9	TRANSCENDENCE
10	OUTBACK AUSTRALIA
11	SPRING EQUINOX

CONNECT 10 MODE

1	BLUE
2	MAGENTA
3	RED
4	ORANGE
5	GREEN
6	AQUA
7	WHITE
8	CUSTOMISED COLOUR
9	RAINBOW PATTERN
10	OCEAN PATTERN
11	DISCO PATTERN

UNIVERSAL COLORLOGIC MODE

1	VOODOO LOUNGE
2	DEEP BLUE SEA
3	ROYAL BLUE
4	AFTERNOON SKIES
5	AQUA GREEN
6	EMERALD
7	CLOUD WHITE
8	WARM RED
9	FLAMINGO
10	VIVID VIOLET
11	SANGRIA
12	TWILIGHT
13	TRANQUILITY
14	GEMSTONE
15	USA
16	MARDI GRAS
17	COOL CABARET

COLORLOGIC 4.0 MODE

1	VOODOO LOUNGE
2	DEEP BLUE SEA
3	AFTERNOON SKIES
4	EMERALD
5	SANGRIA
6	CLOUD WHITE
7	TWILIGHT
8	TRANQUILITY
9	GEMSTONE
10	USA
11	MARDI GRAS
12	COOL CABARET

INTELLIBRITE MODE

1	SAM
2	PARTY
3	ROMANCE
4	CARIBBEAN
5	AMERICAN
6	CALIFORNIA SUNSET
7	ROYAL
8	BLUE
9	GREEN
10	RED
11	WHITE
12	MAGENTA

STANDARD MULTI* MODE

1	BLUE
2	MAGENTA
3	RED
4	LIME
5	GREEN
6	AQUA
7	WHITE 1
8	WHITE 2
9	SLOW COLOUR BLEND
10	FAST COLOUR CHANGE

*Standard MULTI Mode:

This mode allows the MULTI PLUS light to operate in the standard MULTI-Colour mode. This mode should only be used when operating a MULTI PLUS light from a wall switch or RM-2, in conjunction with a standard Spa Electrics MULTI-Colour light.

For more information please contact Spa Electrics. (03) 9793 2299

TRI-COLOUR OPERATION

TRI-Colour light models provide a choice of 3 exciting fixed colours at the flick of a switch!

COLOURS AVAILABLE:

1. Electric **Blue**
2. 4000k **White**
3. Lagoon **Green**

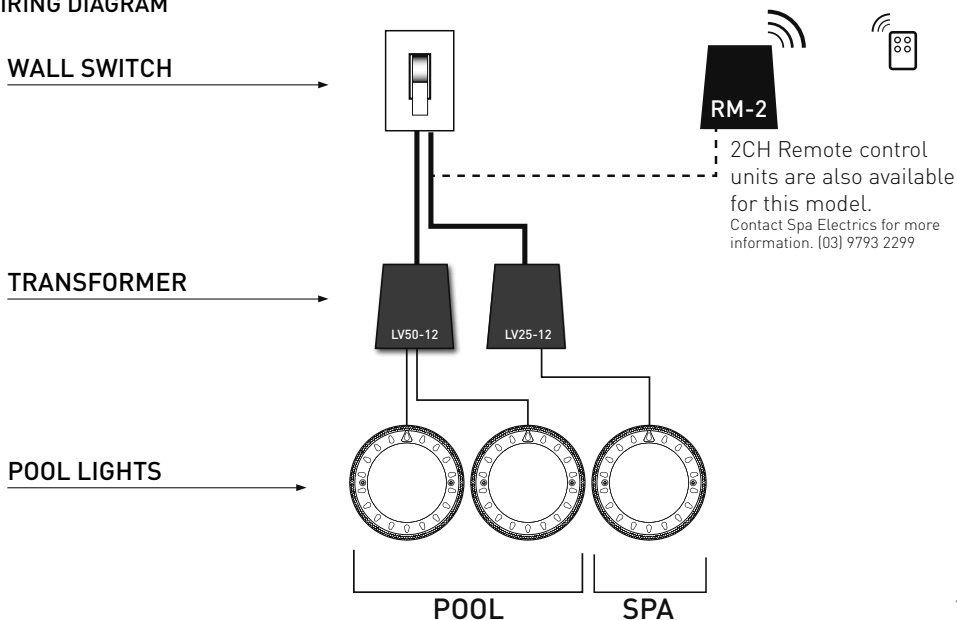
OPERATING INSTRUCTIONS

1. To change the color of the light, simply turn your light **OFF** for **2** seconds and then turn it back **ON**. This will signal the light to proceed to the next colour.
Colours will display in the order above, to select a desired colour, simply step through the colours until you find your desired selection.
2. Your lights will automatically save your selected colour once the power has been turned **OFF** for more than **1** minute so the next time the lights are used, they will illuminate on the last colour selected.
3. To reset or '**synchronize**' your lights; with the power turned **ON**, turn the power **OFF/ON** once rapidly. This will put the lights into **RESET** mode (flashing **BLUE**), once this occurs turn the power **OFF**, wait **2** seconds & turn the power **ON**. Your lights should now be synchronized.

SYNCHRONIZED INSTALLATION

When installing multiple lights; to ensure synchronization and ease of operation all Lights must operate from a single switch.

WIRING DIAGRAM





© COPYRIGHT 2017 SPA ELECTRICS PTY. LTD.
ALL RIGHTS RESERVED

20170117