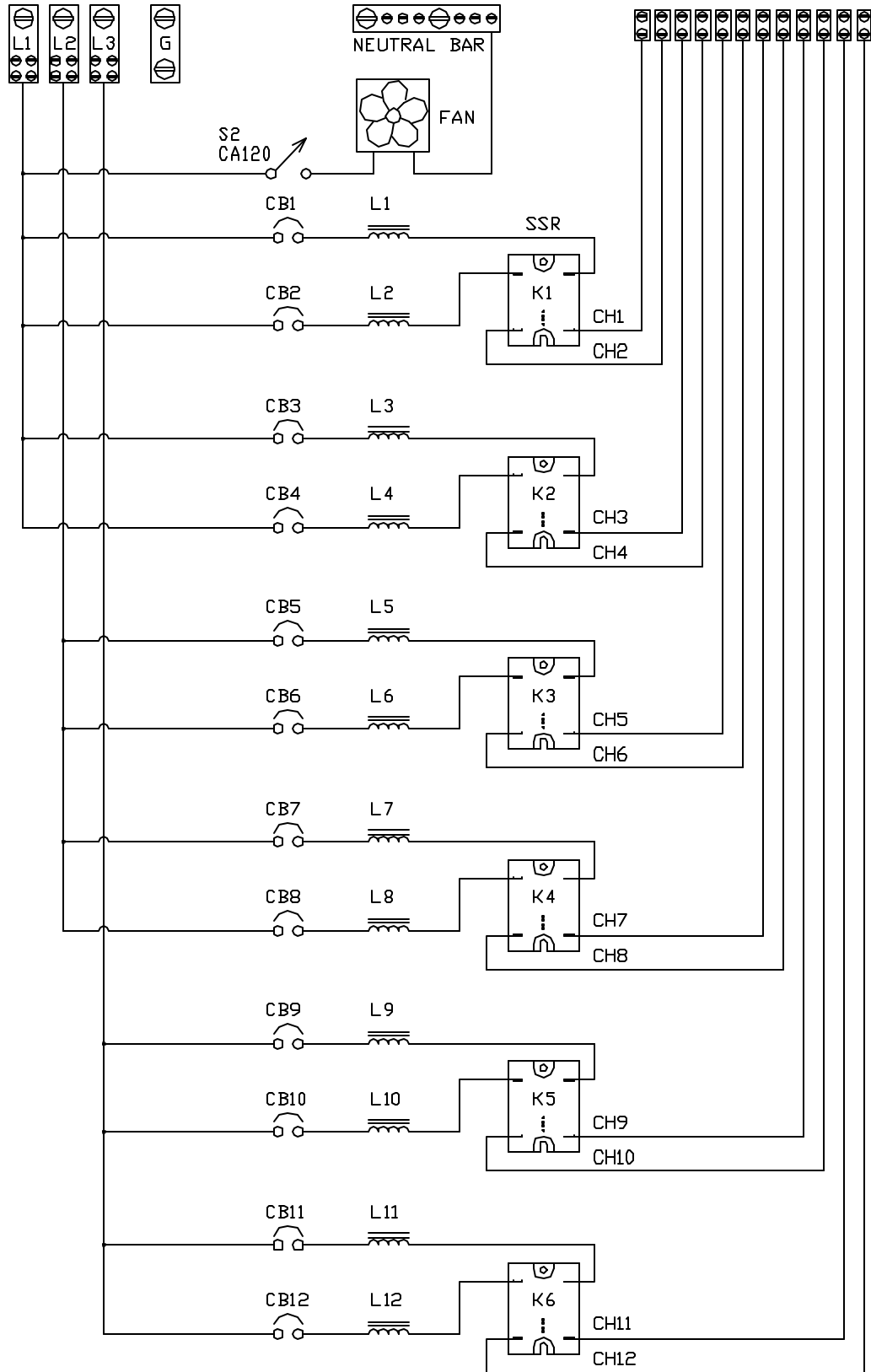


INPUT
BLOCK
TB-1



OUTPUT
BLOCK
TB-2

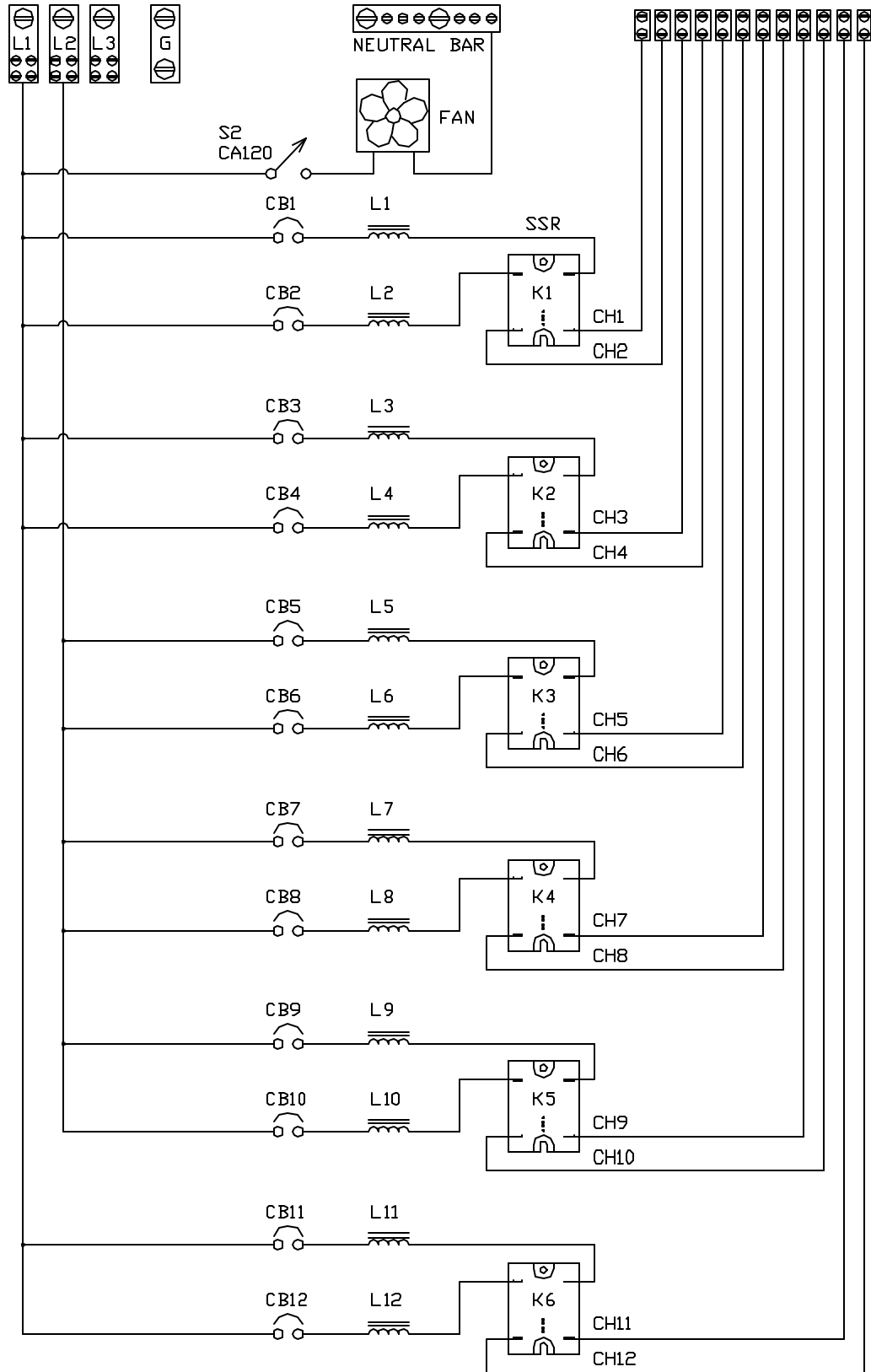


DOVE SYSTEMS


3563 Suelo Street Suite E, San Luis Obispo, CA 93401
(805)541-8292 fax (805)541-8293 dove@doveystems.com

DIMMASTER 1224
THREE PHASE AC POWER SCHEMATIC
29 JANUARY 2003

INPUT
BLOCK
TB-1



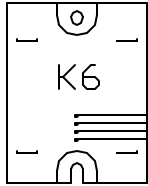
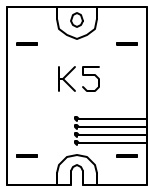
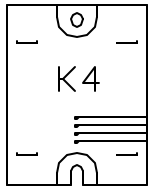
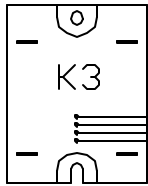
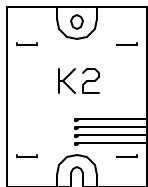
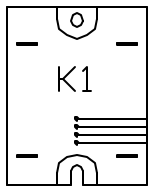
OUTPUT
BLOCK
TB-2

 **DOVE SYSTEMS**
3583 Suelo Street Suite E, San Luis Obispo, CA 93401
(805)541-8292 fax (805)541-8293 dove@doveystems.com

DIMMASTER 1224
SINGLE PHASE AC POWER SCHEMATIC
29 JANUARY 2003

CONTROL COMMON (1)
 LINE 3 (9)
 LINE 1 (11)
 LINE 2 (13)
 NEUTRAL (15)
 DMX INPUT (17)

SSR



S1
 □A175

CH1

CH2

CH3

CH4

CH5

CH6

CH7

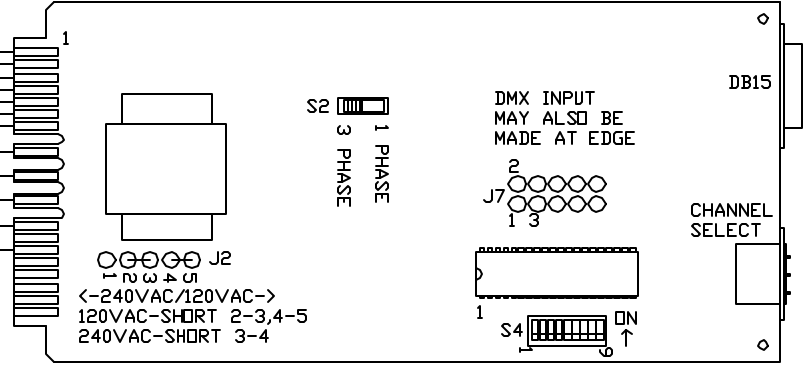
CH8

CH9

CH10

CH11

CH12



EDGE CONNECTOR

	SOLDER SIDE	COMPONENT SIDE
1	COMMON	COMMON
2	OUT 2	OUT 1
3	OUT 4	OUT 3
4	OUT 6	OUT 5
5	OUT 8	OUT 7
6	OUT 10	OUT 9
7	OUT 12	OUT 11
8	NC	NC
9	LINE 3	LINE 3
10	NC	NC
11	LINE 1	LINE 1
12	NC	NC
13	LINE 2	LINE 2
14	NC	NC
15	NEUTRAL	NEUTRAL
16	OUT 24	OUT 23
17	DMX3	DMX2
18	OUT 22	OUT 21
19	OUT 20	OUT 19
20	OUT 18	OUT 17
21	OUT 16	OUT 15
22	OUT 14	OUT 13

DB15

1	CHANNEL 1
2	CHANNEL 2
3	CHANNEL 3
4	CHANNEL 4
5	CHANNEL 5
6	CHANNEL 6
7	CHANNEL 7
8	CHANNEL 8
9	CHANNEL 9
10	CHANNEL 10
11	CHANNEL 11
12	CHANNEL 12
13	+15V POWER SUPPLY
14	-15V POWER SUPPLY
15	COMMON

J7

1	COMMON
2	DMX2
3	DMX3
4	DMX4
5	DMX5
6	NC
7	NC
8	NC
9	NC
10	NC

OPTION SWITCHES

1	TERMINATE DMX 2&3
2	NONDIM 1
3	NONDIM 2
4	NONDIM 4
5	NONDIM 8
6	NONDIM 16
7	DMX TALKBACK
8	OPTION B
9	TERMINATE DMX 4&5

NONDIM SETTINGS: THE SUM OF THE VALUES OF THE SWITCHES SET DETERMINES THE STARTING NONDIM CHANNEL NUMBER, EG S4-2 & S4-5 = CHANNELS 9 AND ABOVE SET FOR NONDIM OPERATION.

DOVE SYSTEMS
 3563 Suelo Street Suite E, San Luis Obispo, CA 93401
 (805)541-8292 fax (805)541-8293 dove@doveasystems.com

DIMMERMASTER 1224
 CONTROL SCHEMATIC
 29 JANUARY 2003