

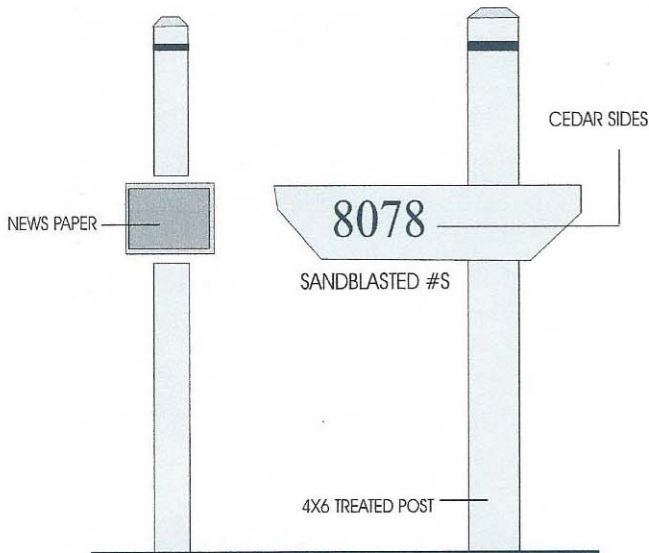
Please check what you would like done.

- New Post _____ \$75.00
- New Blasted Box _____ \$120.00
- Restain post Only _____ \$45.00
- New Post and Sandblasted box - \$195.00
- Install all New _____ \$235.00
- Reset old Post _____ \$65.00

Number you want on the box if new.

Please check what service you would like.
 Mail back your name / Address / and Phone #
 To: Jeff Solner 1918 Hawks Ridge Drive, Unit 108
 Verona WI. 53593. Make check out to: Jeff Solner

My cell : 608-577-8078 Email : jeff@jeffersonfire.com



Please check what you would like done.

- New Post _____ \$75.00
- New Blasted Box _____ \$120.00
- Restain post Only _____ \$45.00
- New Post and Sandblasted box - \$195.00
- Install all New _____ \$235.00
- Reset old Post _____ \$65.00

Number you want on the box if new.

Please check what service you would like.
 Mail back your name / Address / and Phone #
 To: Jeff Solner 1918 Hawks Ridge Drive, Unit 108
 Verona WI. 53593. Make check out to: Jeff Solner

My cell : 608-577-8078 Email : jeff@jeffersonfire.com