



**slidersuk**

[www.sliders-uk.com](http://www.sliders-uk.com)

## The Ultimate ALUK Aluminium Window



Part of the exclusive range available from Sliders UK

## Perfect choice for classic and contemporary installations



**Highly engineered and with clean sightlines, the Ultimate Aluminium Window from Sliders UK.**

### **Advanced performance**

Manufactured in ALUK's proven 70mm Optio system, the new Ultimate Aluminium Window from Sliders UK is defined by its exceptionally clean sightlines, making it suitable for traditional and contemporary applications.

Available in a chamfered option, it accommodates double and triple-glazed insulated units ranging from 24 to 32mm, employing a unique polyamide thermal break design to achieve u-values as low as 1.2W/m<sup>2</sup>K.

The Ultimate Aluminium Window is also fully tested to PAS24 and is Part Q compliant, making it the perfect choice for a wide range of residential installations.

**Period or contemporary design**



**PAS24 and Part Q approved**



**Steel window replacement**

The Optio System has been developed by ALUK to offer exceptional design flexibility. It features a chamfered option, replicating the appearance of traditional steel windows and making it ideally suited for their replacements across residential and light commercial applications.

**Contemporary installations**

Slim sightlines and contemporary detailing options also make the ALUK Optio system and the Ultimate Aluminium Window ideally suited to minimalist new build residential designs, creating a highly flexible offer across sectors.

**Advanced performance**

Ultimate ALUK Aluminium Windows by Sliders UK are fully weather tested, achieving Class 9a (600Pa) water tightness; Class 4 (600Pa) air tightness; wind load Class E2400 (2400Pa). The use of a high performance thermal break, also means that the Ultimate Aluminium Window achieves U-values as low as 1.2W/m<sup>2</sup>K\* and typical WERs of A-B.



**PAS24 and Part Q approved**

The Ultimate Aluminium Window has also been fully tested to PAS24 and Part Q.

**Advanced acoustic performance**

The Ultimate Aluminium Window has also been designed to offer a high level of noise insulation at 43dB, significantly reducing road and other nuisance noise.



\*Triple-glazed option.

# Industry leading build quality



BS6375 Weather Tested

The Ultimate Aluminium Window is manufactured by Sliders UK to industry leading standards.

With national distribution and available for order with our range of aluminium, bi-folding, inline sliding and French doors, plus composite doors and PVC-U options, we're redefining standards of service and expectation in trade supply.

Available in white and anthracite grey as standard plus dual colour options and any RAL colour on special order.

Internal



Flexible configurations, styles and designs including top hung, side hung, French Casement and fixed lights

Slim sightlines and flexible profile designs make the 70mm Optio suitable for use in traditional or contemporary installations

Glazing sizing range from 24mm–32mm accommodating double and triple-glazed units

Unique polyamide thermal break design, delivers U-values as low as 1.2 W/m²K

Cill options: 95mm; 150mm; 177mm; 190mm



External

# Finish options



## Standard profile colours

Available in white or anthracite grey as standard, plus dual colour options and any RAL colour as special order, the Ultimate Aluminium Window comes in a range of powder coated finishes, also carrying a 10-year guarantee.

## Handle colour options

We've developed a highly flexible hardware range designed to deliver through-life performance and on end user aspiration, with handles available in a choice of White, Chrome, Gold, Black, Satin.



## Colour options



Anthracite Grey



White



Black

## Door handle options



Black



White



Gold



Chrome

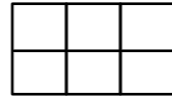


Satin

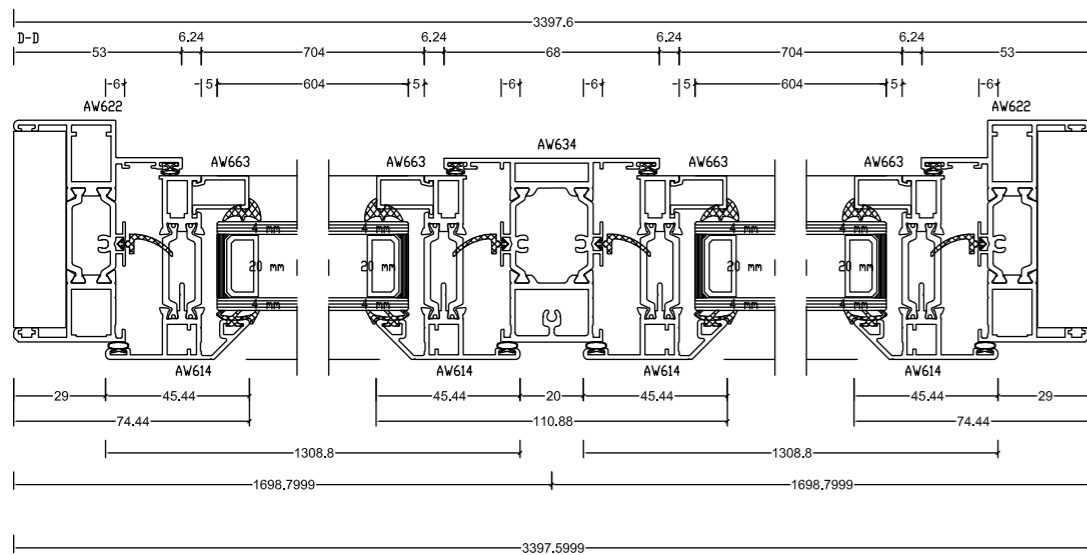
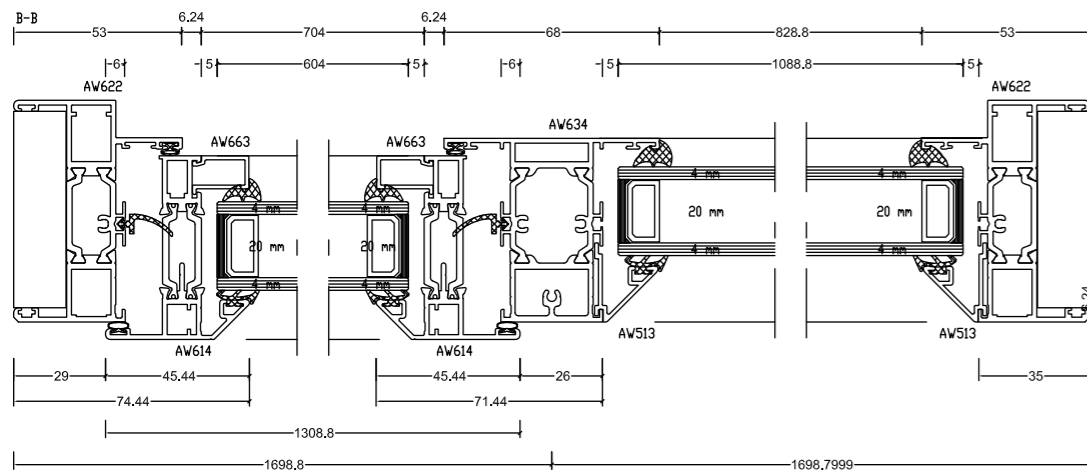


# Technical information

## Cross sections



### Cross sections



### The Ultimate ALUK Aluminium Window

Slim sightline 70mm system

Accommodates glazing units of 24 to 32mm

Unique polyamide thermal break design

U-values as low as 1.2 W/m<sup>2</sup>K

Integrated deep head profiles for ease of trickle ventilation

PAS24 and Part Q approved

Multi-point locking

Chamfered beading option

Weather tested to: Air tightness Class 4 (600Pa); Water tightness 9a (600Pa); Windload Class E2400 (2400Pa)

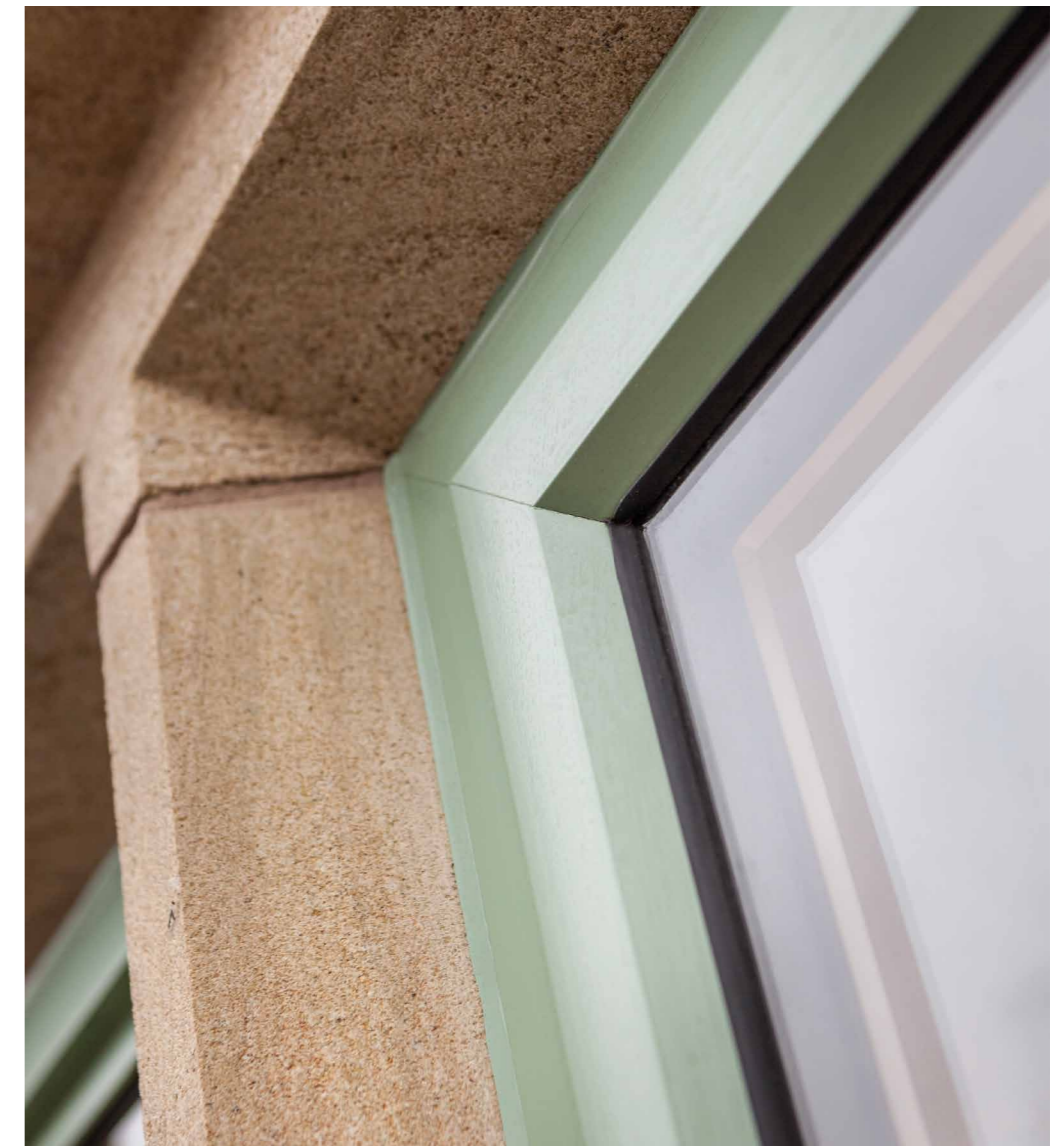
Available in multiple configurations including top, side and French casement

White and grey as standard finishes plus dual-colour options

Green Guide A rating

Handles available in a choice of White, Chrome, Gold, Black, Satin

Cill options: 95mm; 150mm; 177mm; 190mm





# slidersuk

Contact a member of the sales team on 01772 698222  
or email [sales@sliders-uk.com](mailto:sales@sliders-uk.com) to find out more.

[www.sliders-uk.com](http://www.sliders-uk.com)

Images shown are for illustration purposes only.



## High precision manufacture

We employ the strictest quality management system, going far beyond our BSI approved controls.

This includes the manufacture of doors on rigs, which means that all running and door operation is fully tested before doors leave the factory floor.

Fully wrapped and delivered by our dedicated fleet, it means that we're able to offer you guaranteed quality and service.