

UNISOUND SPEAKER



Installation Manual

Important Safety Instructions

Please read the user manual thoroughly before use and save for future reference.



WARNINGS:

- Do not place uncovered flame sources such as candles near or on the product.
- All Unisound products must be used in accordance with local, federal and industry regulations. It is the responsibility of the installer to ensure that installation of product and mounting is in accordance with applicable building codes and regulations.
- Unsafe mounting or overhead suspension may cause injury, death and/or equipment damage.
- It is the responsibility of the installer to ensure that any mounting technique applied is reliable.



CAUTIONS:

- These speakers are not designed nor recommended for installation in or on walls or in ceilings of masonry. To ensure optimal performance and safety, please install in dropped ceiling as per the installation instructions (p. 4).
- See product enclosures for safety-related markings.
- Make no modifications to product or accessories. Alterations not authorized or recommended by Unisound may result in injury, product damage and poor system performance.
- These speakers are not designed nor recommended for use outdoors, in recreational vehicles or on boats.
- The speaker should not be placed in damp rooms, or rooms with excess of water or steam.



WARNING:

Contains small parts that may be a choking hazard. Not suitable for children under 3 years of age.



WARNING:

Product contains magnetic material. Consult your physician if you have questions whether this may affect any implantable device.



This symbol means the product must not be discarded as household waste, and should be delivered to an appropriate collection facility for recycling. Proper disposal and recycling helps protect natural resources, human health and the environment. For more information on disposal and recycling of this product, contact your local municipality or disposal service.



Unisound hereby declares that this product is in compliance with the essential requirements and other relevant provisions of Directive 1999/5/EC and all other applicable EU directive requirements.

PLEASE RETAIN FOR YOUR REFERENCE:

Model number: _____

Serial Number: _____

Date of Purchase: _____

Date of manufacture:

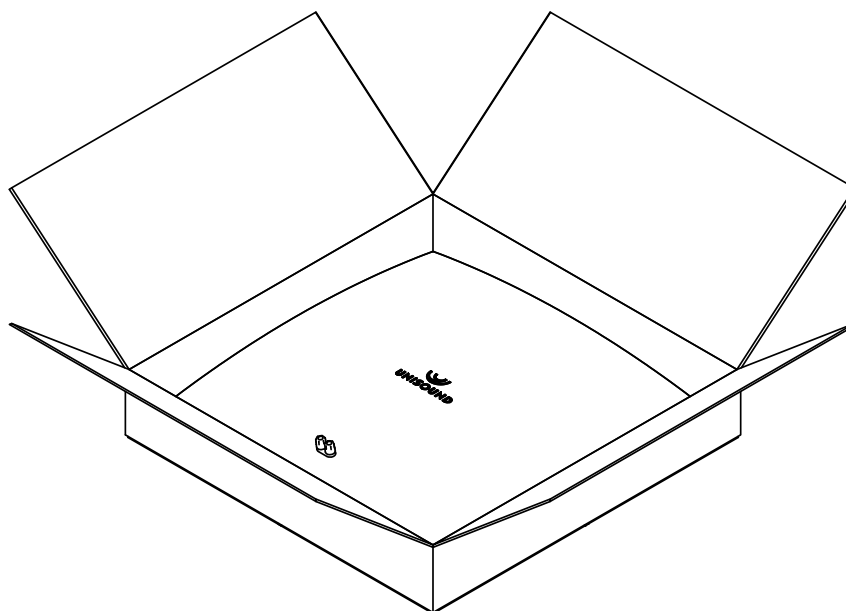
The year of manufacture is indicated by the serial number on the product. Please review any information printed on the product.

IMPORTANT SAFETY INSTRUCTIONS

1. Read all instructions, and keep them for future reference.
2. Heed all warnings.
3. Follow all instructions.
4. Do not use product near or in water.
5. Install in total accordance with manufacturer's instructions.
6. Do not install near or on any heat sources, such as radiators, stoves etc.
7. Use only accessories/attachments recommended by Unisound.

Contents

Introduction	4
About.....	4
Unpacking.....	4
Recommended Tools.....	4
Speaker Wire Requirements.....	4
Placement Guidelines.....	4
Installing the Speaker	5
Preparing the dropped ceiling and routing wires.....	5
Connecting the speaker wire.....	5
Installing the speaker.....	6
Connecting to Amplifier.....	6
Care and Maintenance	7
Troubleshooting.....	7
Customer Service.....	7
Warranty.....	7
Technical Information.....	7



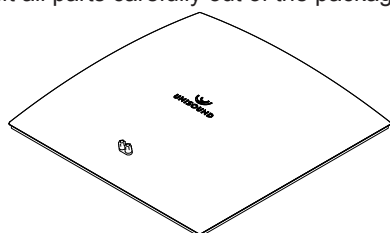
INTRODUCTION

About your Unisound Dropped-Ceiling Speaker

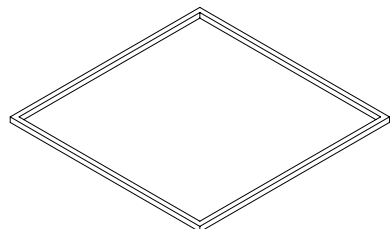
The Unisound Dropped-Ceiling Conference Speaker provides superior dispersion of sound, delivering clear and present audio for your conferencing, PA and music needs. It is unique in its coverage and ease of installation.

Unboxing

Open the cardboard box that your speaker was delivered in, and make sure that all following part are included and in acceptable condition (if not, contact Costumer Service, see p. 7) Lift all parts carefully out of the packaging.



Unisound Speaker



Foam Liner with Adhesive

Placement Guidelines

For optimal performance, install the speakers in positions similar to the diagrams shown in separate placement sheet. Be aware of the suggested maximum distances.

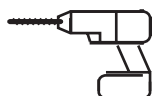
Speaker Wire Requirements

- Allow enough wire from the amplifier to the speaker, with a margin of at least 40 cm.
- Please check your local building codes for the correct wire required for in-ceiling installation.
- Make sure that you are confident in installing speaker wires before starting the installation.

Recommended Tools

The following tools may be required to complete your installation.

Wire Routing Equipment



Wire Strippers



Measuring Tape



INSTALLING THE SPEAKER - DROPPED CEILING

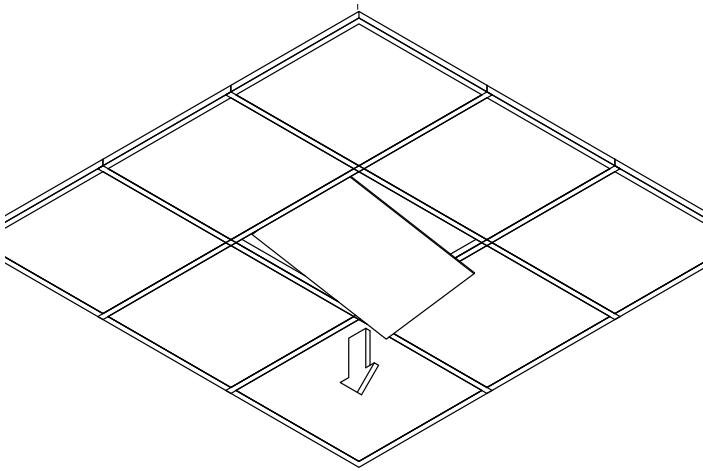
Preparing the speaker

Remove any protection from the adhesive on the upper side of the foam liner. **Carefully align the liner with the frame of the speaker, and press to glue the foam to the frame.** The foam prevents vibrations from dispersing into the ceiling frame.

Preparing the dropped ceiling and routing the wires

NOTE: For installation with any applicable Unisound accessories, please refer to the user manual of the relevant accessory.

1. Remove the plate from the frame in the ceiling grid where the speaker is intended to be installed.



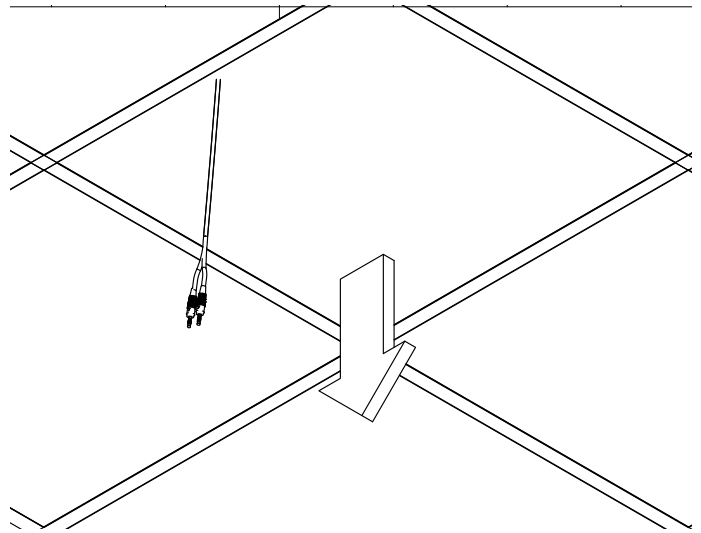
2. Always check with current building regulations and rules before routing new cables. Make sure you use the right thickness of cable, see table below, or ask your authorized Unisound distributor. Make sure the frame and the space immediately above in the plenum is free of any traversing wires or other obstacles.

Gauge	Max. Length
18 AWG (0.82 mm ²)	6 m
16 AWG (1.3 mm ²)	9 m
14 AWG (2.1 mm ²)	15 m
12 AWG (3.3 mm ²)	27 m

Place the speaker at the correct distance from the amplifier/receiver and measure thoroughly before cutting your cable to length. Route the cable through to the back of the ceiling grid through the plenum.

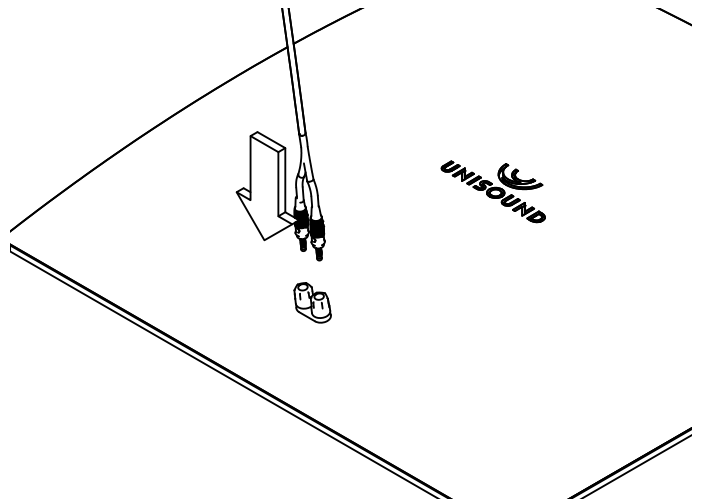
Connecting the speaker wire

1. Pull out at least 40 cm of the speaker wire through the ceiling panel. Allow enough wire to connect to the speaker from where you are standing.



WARNING: In no case should the wire be directing current or signal at the time of installation. If the wire is already connected to an amplifier on the other end, make sure the amplifier is turned off or not connected to power.

2. Connect the positive terminal of the wire to the red marked terminal on the back cover of the speaker. Tighten the connection if possible.



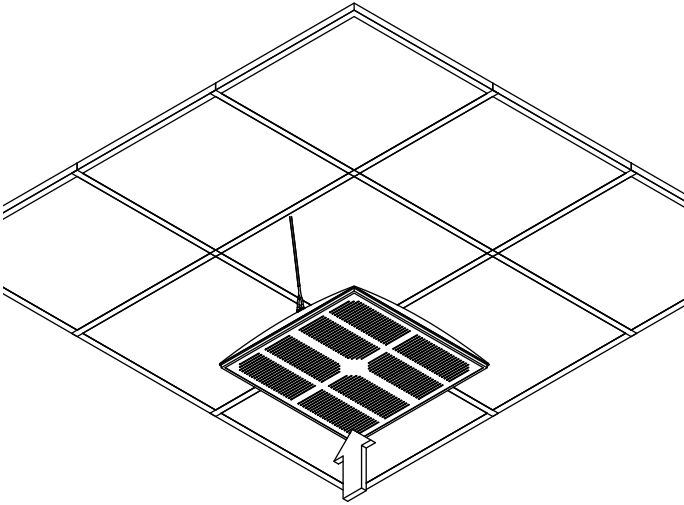
3. Connect the negative terminal of the wire to the black marked terminal on the speaker.

NOTE: While it is possible to daisy-chain multiple Unisound speakers via series or parallel connection, Unisound does NOT recommend this and will not be held responsible for any equipment damage resulting from this.

INSTALLING THE SPEAKER

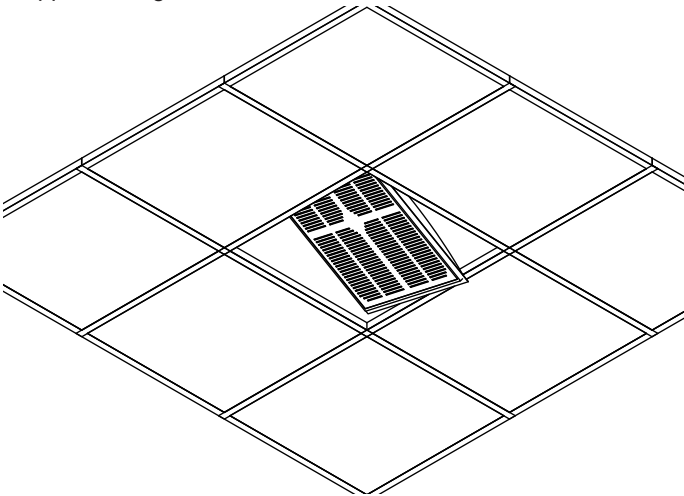
Installing the speaker

1. When the cable has been routed, connected and is securely connected to the speaker, lift the speaker to the ceiling.

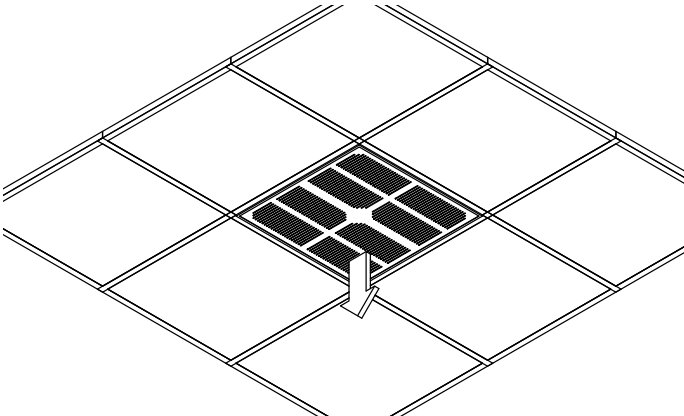


WARNING: Do not push excessively on the front panel of the speaker, as this may damage the membrane. Lift by the edges.

2. Tilt the speaker to such an angle that it goes through the dropped ceiling frame.



3. Readjust the speaker and lower it so that it rests firmly upon the foam lining in the frame of the ceiling. The surface should be horizontal and even. Make sure the speaker is secure.

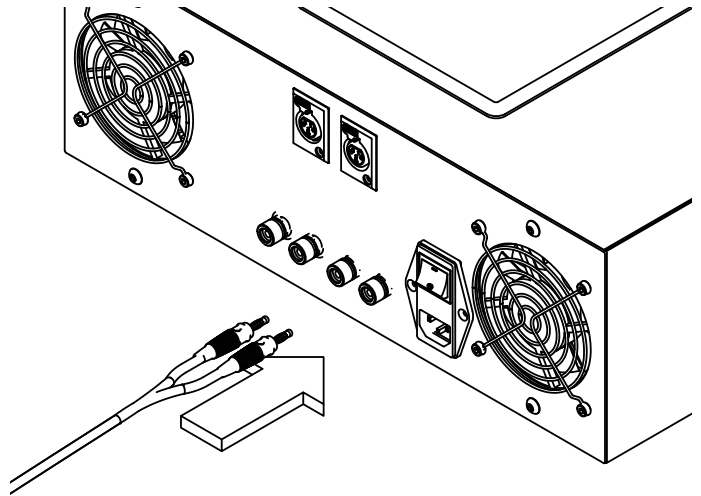


CAUTION: Make sure that nothing, including cables, is lying directly on the back cover of the speaker, as these may cause inconsistencies in system performance such as unwanted noise.

CAUTION: Certain forms of insulation and other material you may find in the ceiling plenum may pose a risk of ignition. Make sure that no such material is in contact with the speaker terminals and wires.

Connect to amplifier

1. Make sure all previous steps have been completed according to this manual, and that the wire is securely fastened to the speaker.



NOTE: Illustration may not reflect actual conditions.

2. Verify that the amplifier is turned off or not connected to power. Connect the free end of the wire to the speaker terminals of your amplifier.

CAUTION: Refer to the user manual of your amplifier for proper connection of the speaker wire and operation of the amplifier. Be sure to consider the specifications of the particular speaker and compatibility before connecting (see p. 7).

CARE AND MAINTENANCE

Troubleshooting

Problem	What to do
No sound coming from speaker	<ul style="list-style-type: none"> • Make sure you have power. • Make sure the amplifier/ receiver is turned on. • Disconnect any headphones or other connected to the amplifier. • Make sure your amplifier/ receiver is NOT set to MUTE • Check your amplifier's User Manual. • Double check the connection between amplifier/receiver and speaker. • If your speaker is connected as a complementary speaker, make sure the amplifier/ receivers output B is activated. • Double check amplifier inputs and sound source. • Try another speaker
Very low bass or treble	<ul style="list-style-type: none"> • Check the settings on your receiver. • Adjust the equalizer on the receiver. • Double check that the positive wire is connected to the red marked terminal on the speaker, and that the negative is connected to the black marked terminal on the speaker.
Sound in one speaker only	<ul style="list-style-type: none"> • Make sure your receivers balance controls are centered. • Double check the connection to the silent speaker. • Disconnect the speakers, and switch the outputs. If the silent speaker now plays, there might be an issue with the receiver. • Connect the cable of the working speaker to the silent speaker. If the silent speaker still does not play, there is a problem with the speaker.
Static/noise from speaker	<ul style="list-style-type: none"> • Ensure the wires are in good condition, are firmly connected to the speaker and receiver/ amplifier and are not touching across terminals. • Connect the music source to the receiver/amplifier properly. • See "Sound from one speaker only".

Customer Service

Unisound will go to great lengths to assist our customers. For further assistance, please contact Unisound customer service:

www.unisound.no

Email: post@unisound.no (globally)

Telephone: +47 93223389, Europe

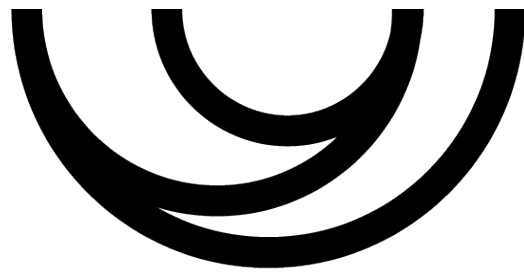
Telephone: +1 650 441 7171 or +47 41215677, USA

Warranty

Twelve (12) months standard warranty applies to this product. An extended warranty may be purchased on request; contact Customer Service (see above)

Technical Information

Connectivity	Banana plugs
Compatability	Compatible with amplifiers or receivers rated 10-40W per channel/rated 8 ohms
Dimensions	586mm X 586mm X 75mm
Weight	3.7 kg



UNISOUND