

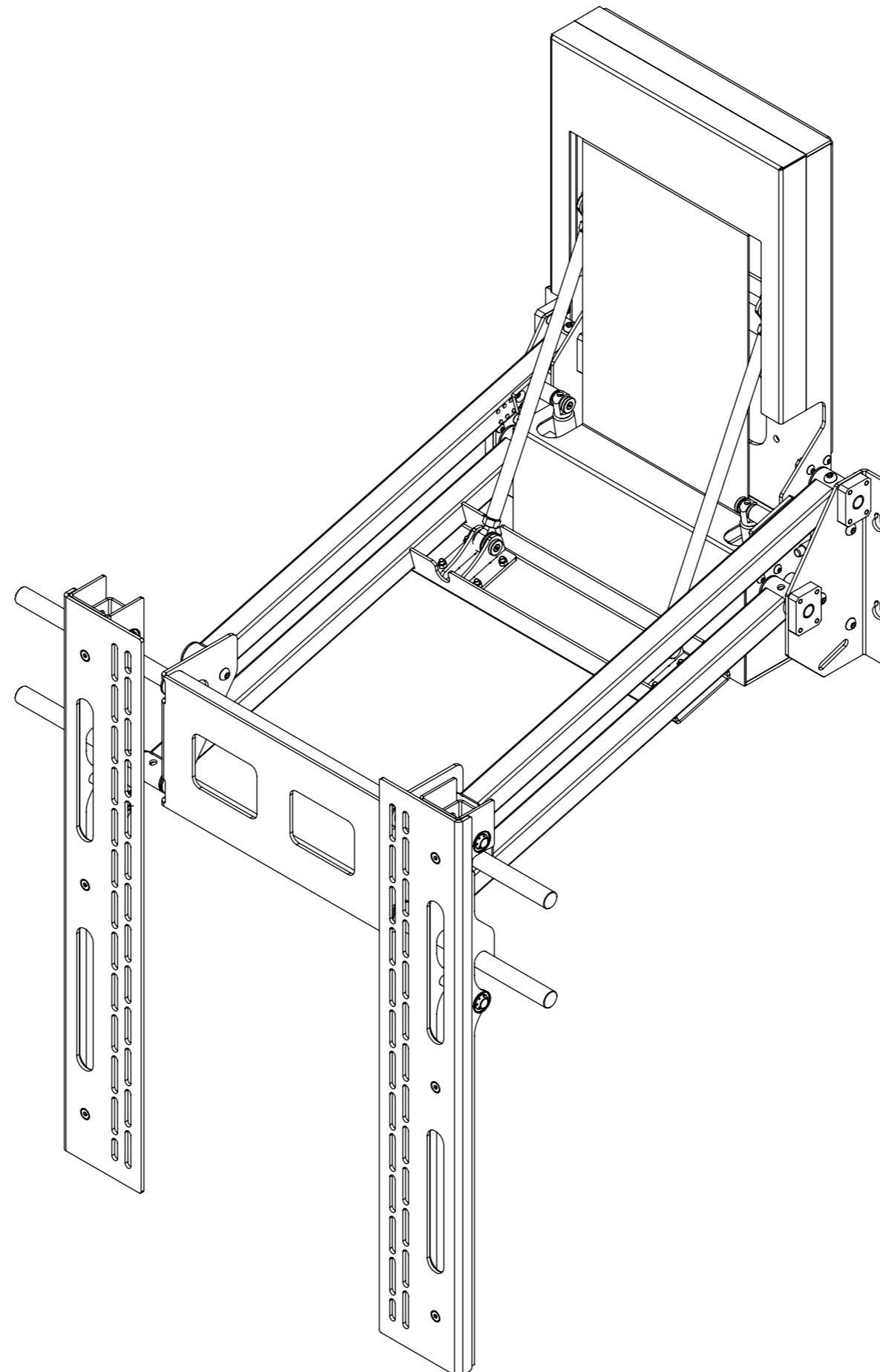


### DESIGN HIGHLIGHTS

- Quiet smooth action with variable speed motion
- Full cable management
- Stylish look and finish
- Wide range of mounting options
- In tilt adjustment

### OPTIONS

- Any RAL colour available



### FUNCTION

An electric wall bracket that can move a flat screen television out from the wall and drop it to a lower height.

Ideal for above a fireplace.

### SUITABILITY

The EAD3 wall bracket is suitable for screens of at least 885mm[34.9"] in height and up to 80Kg[176lbs] in weight.

Custom versions can also be commissioned.

### SPECIFYING

Check wall makeup to decide on fixings to be used.

Check screen details for mounting possibilities.

### CONTROL

Supplied with basic infrared remote. Can be learnt by many learning remotes.

Also has switch control and RS232 so can be operated by relays, switches, Crestron / AMX or Lutron systems.

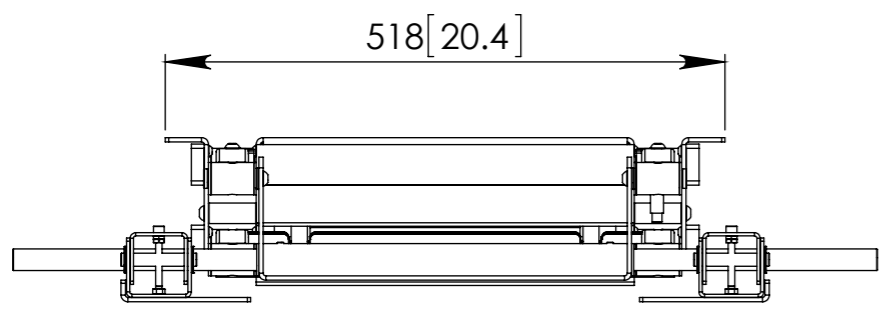
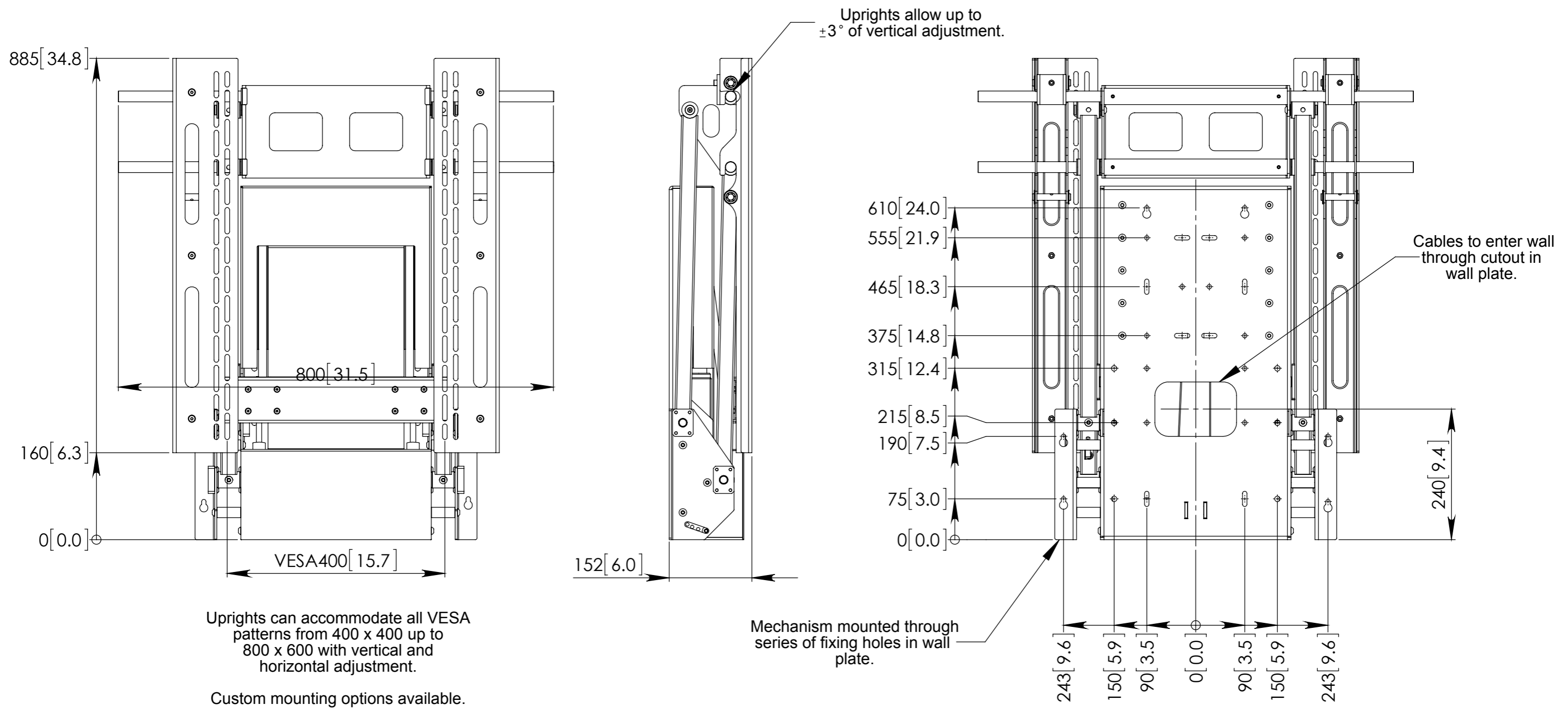
### WARNING

It is the responsibility of the installer to warn all potential end users of the dangers of interfering with mechanisms during operation

### IMPORTANT

Mechanisms which lift or move weights need to be checked on a yearly basis for any damage which may result in an accident

### Mechanism in UP Position



## Mechanism in DOWN Position

