



EPSCSS4

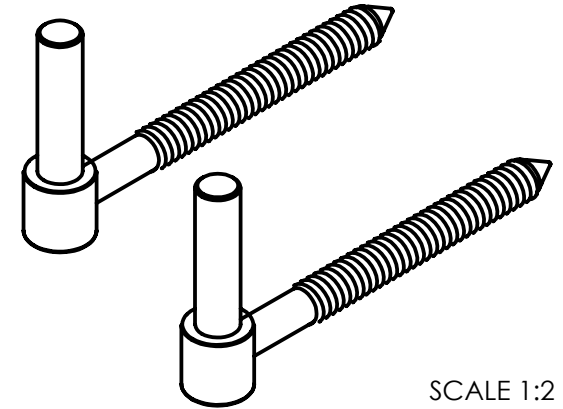
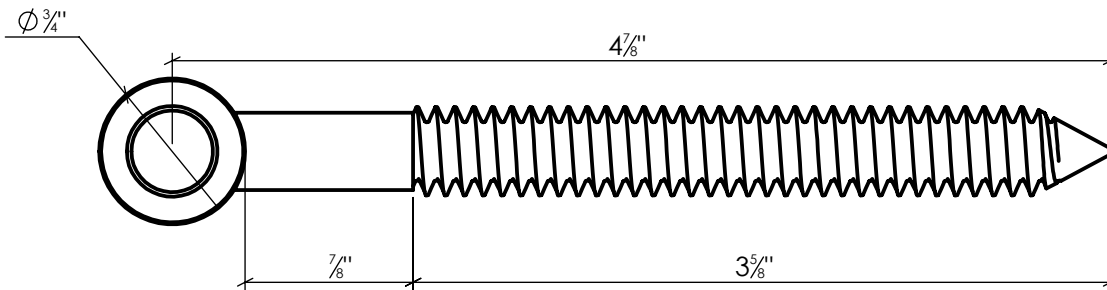
Adjustable Lag Pintle 4"
Stainless Steel, Black Powder Coated

Info@LynnCove.com

(800) 975-7089

SCALE: 1:1

Do not scale drawing. All dimensions are nominal (+/- 1/8") and for reference only. Specifications and dimensions are subject to change without notice. 8/12/2015



SCALE 1:2
Sold As Shown

