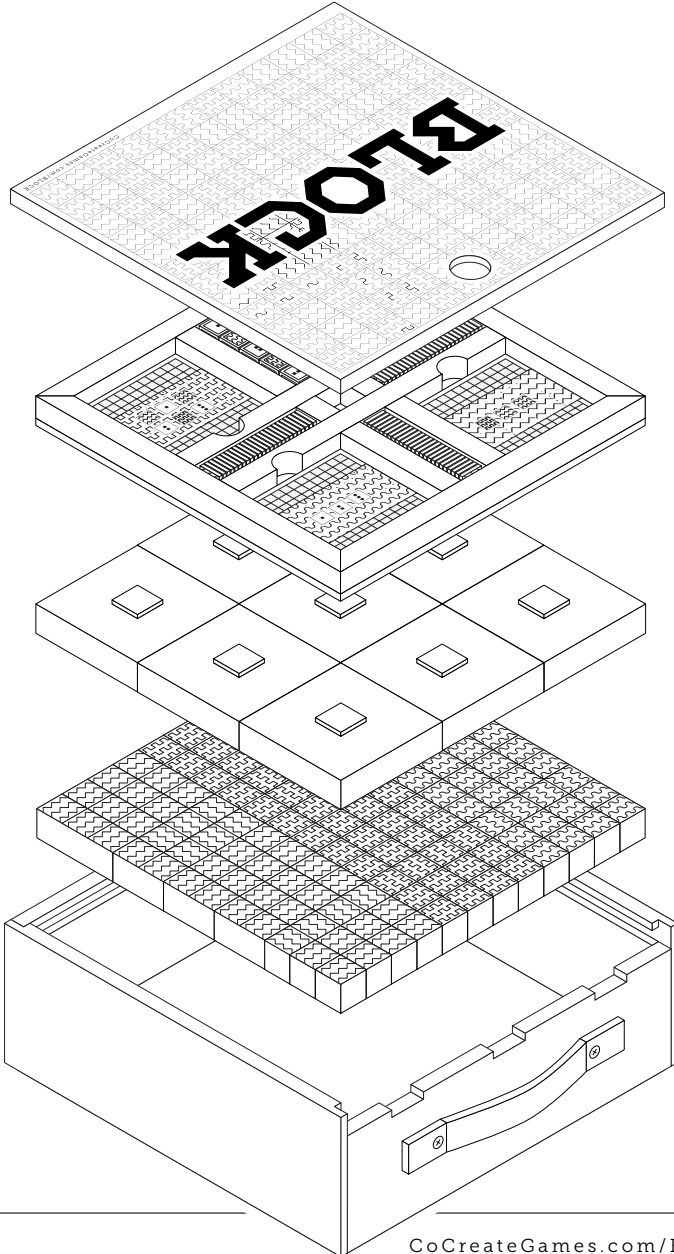
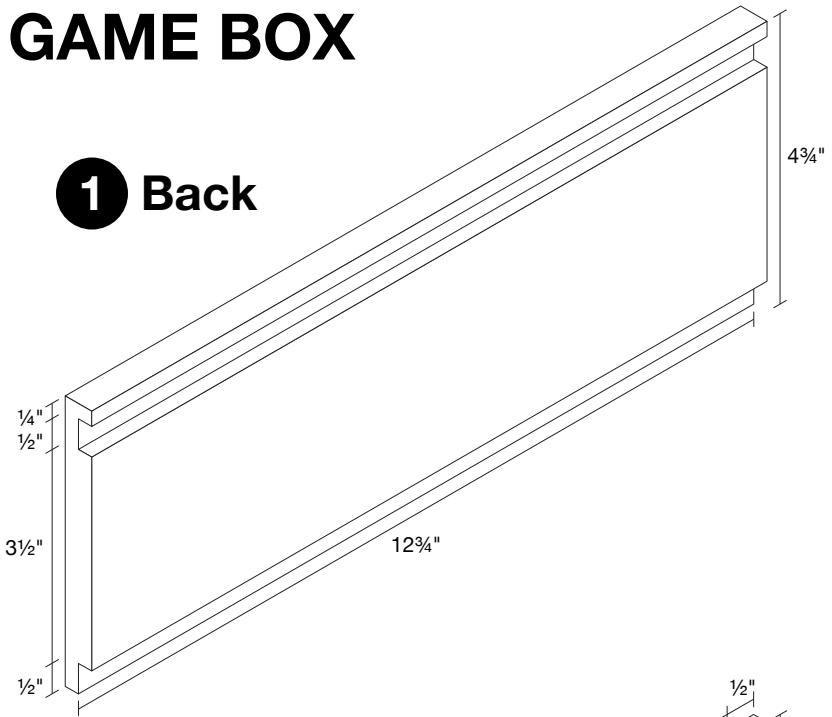


# HOW TO BUILD **BLOCK**

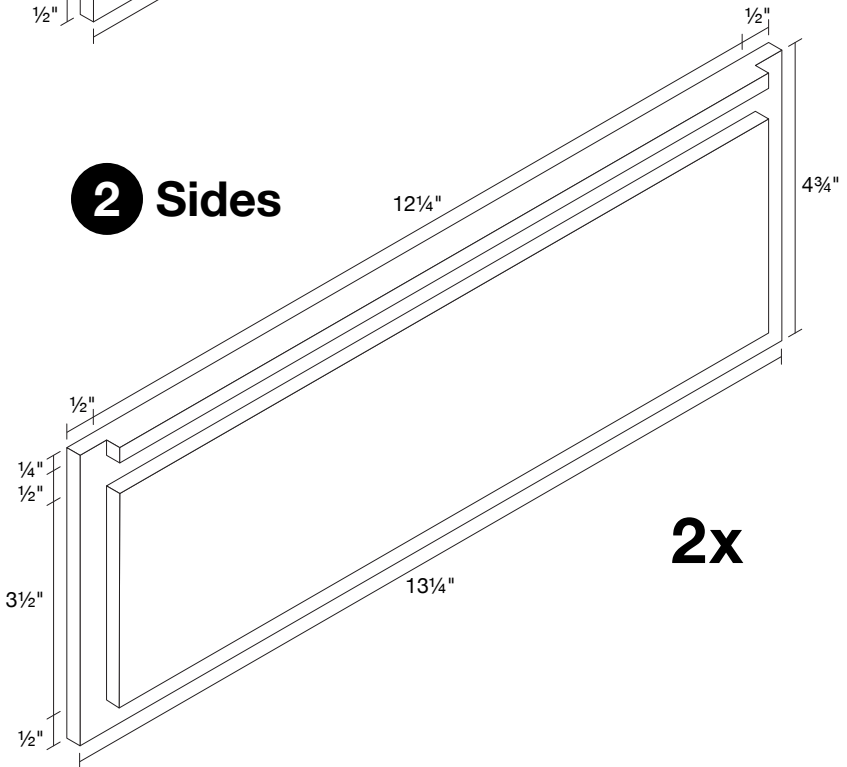


# GAME BOX

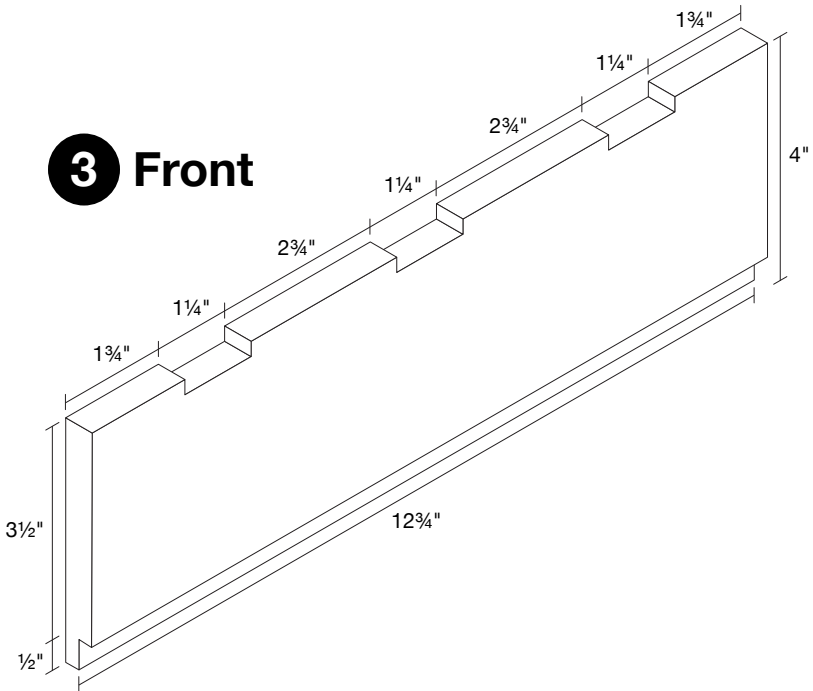
## 1 Back



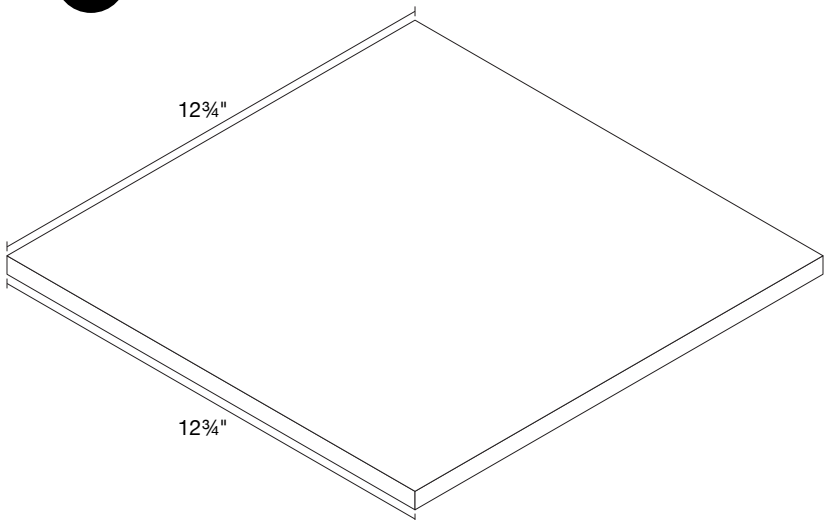
## 2 Sides



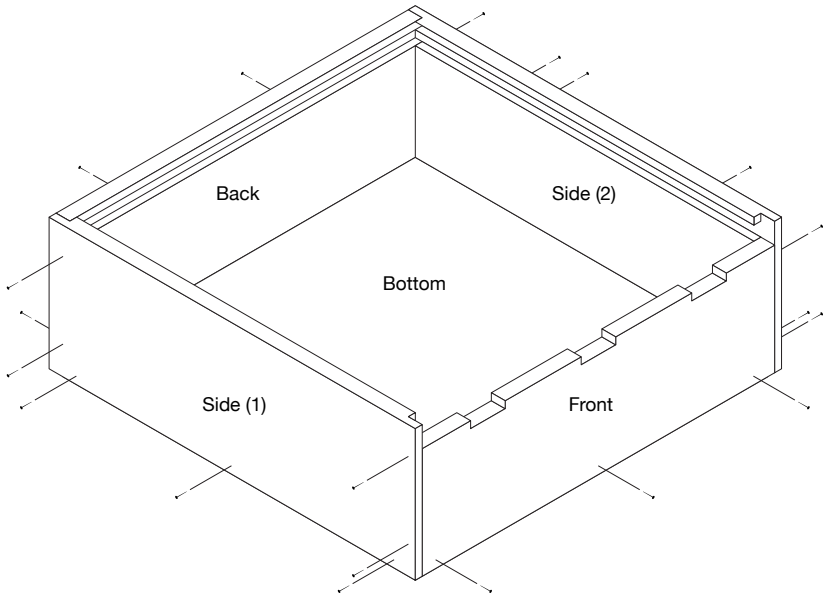
### 3 Front



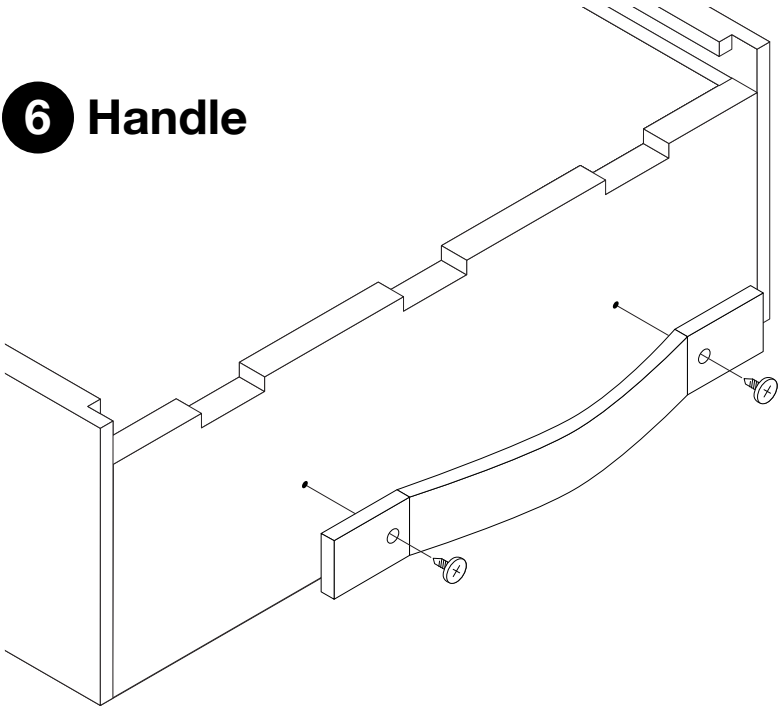
### 4 Bottom



## 5 Box Assembly

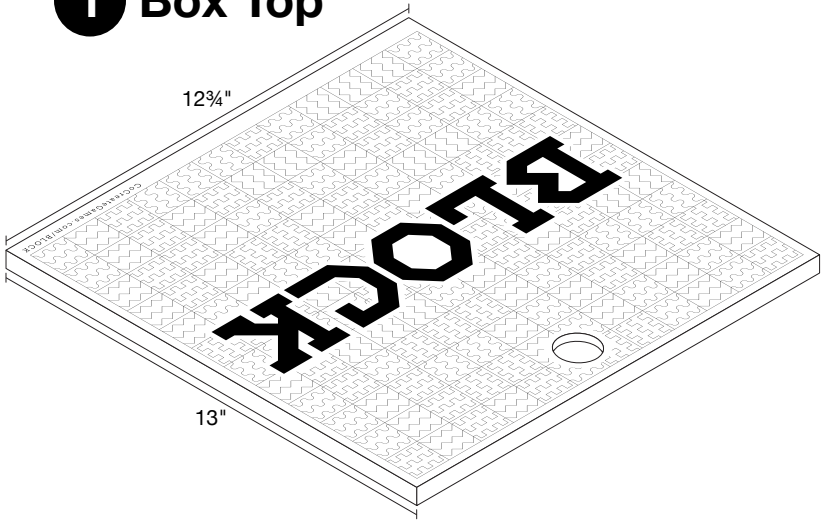


## 6 Handle

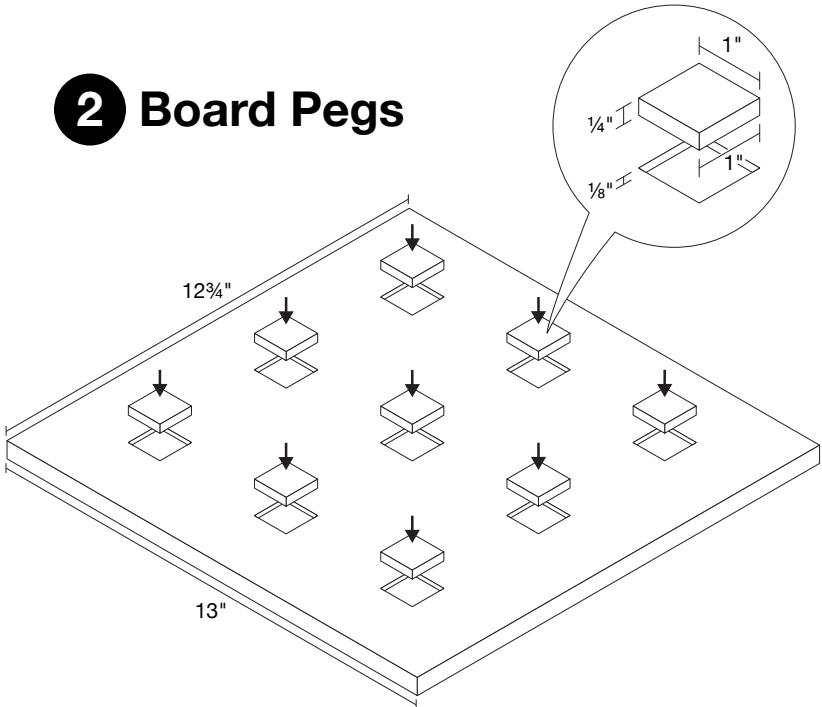


# BOX TOP/GAME BOARD

## 1 Box Top

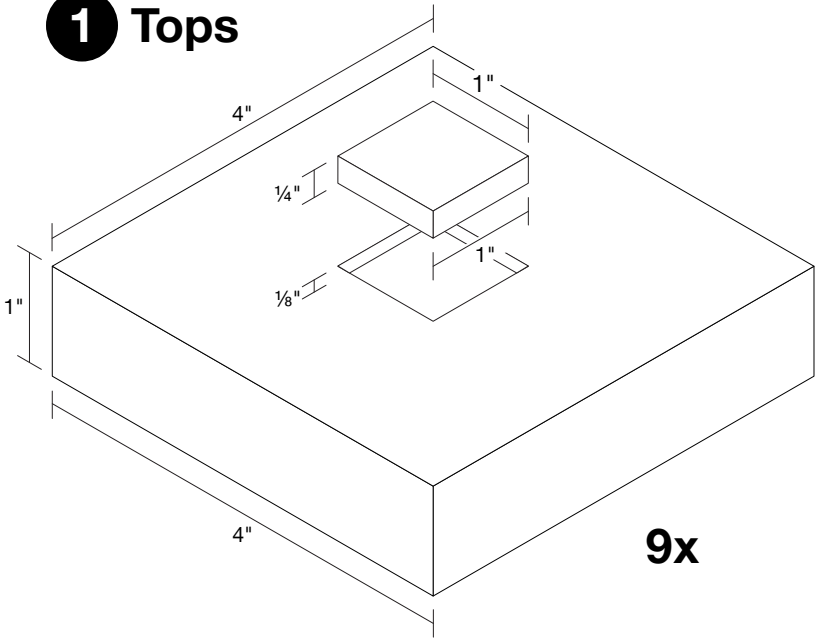


## 2 Board Pegs

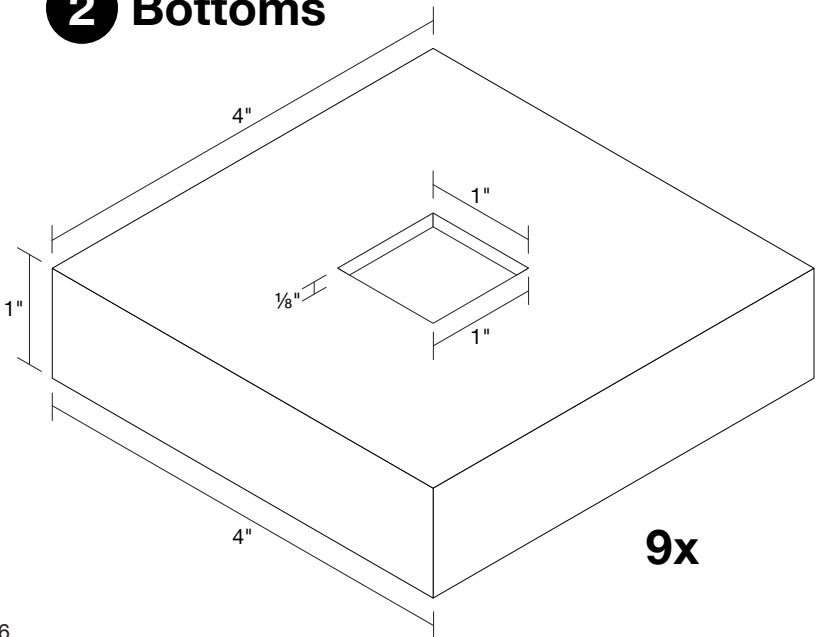


# BASE BLOCKS

## 1 Tops

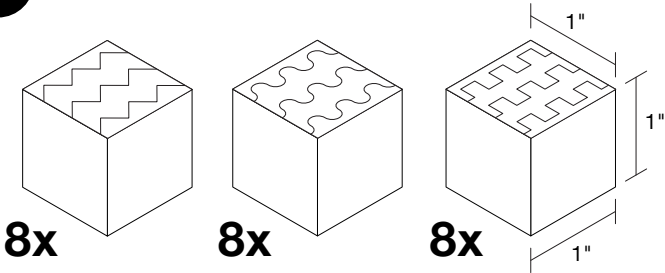


## 2 Bottoms

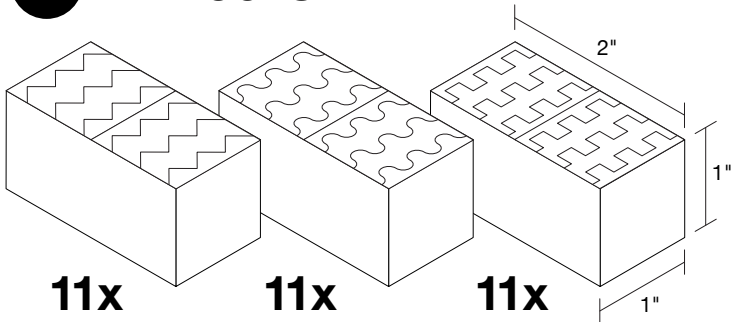


# GAMEPLAY BLOCKS

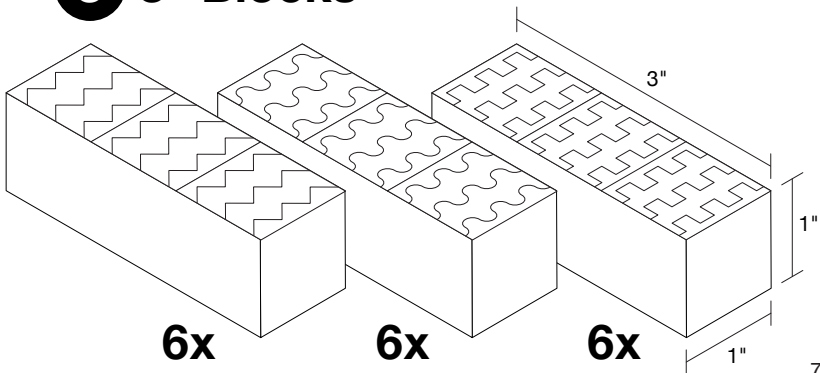
## 1 1" Blocks



## 2 2" Blocks

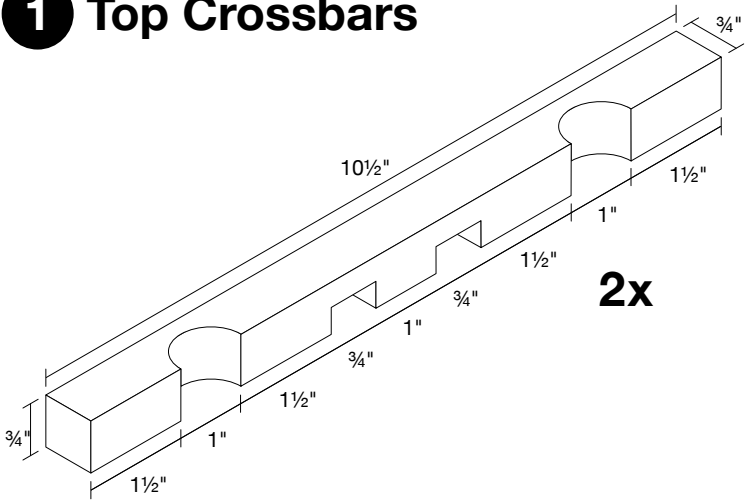


## 3 3" Blocks

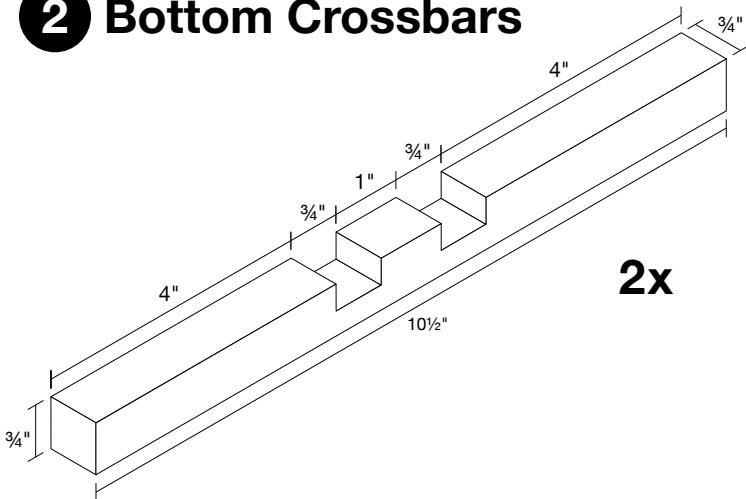


# ACCESSORY TRAY

## 1 Top Crossbars

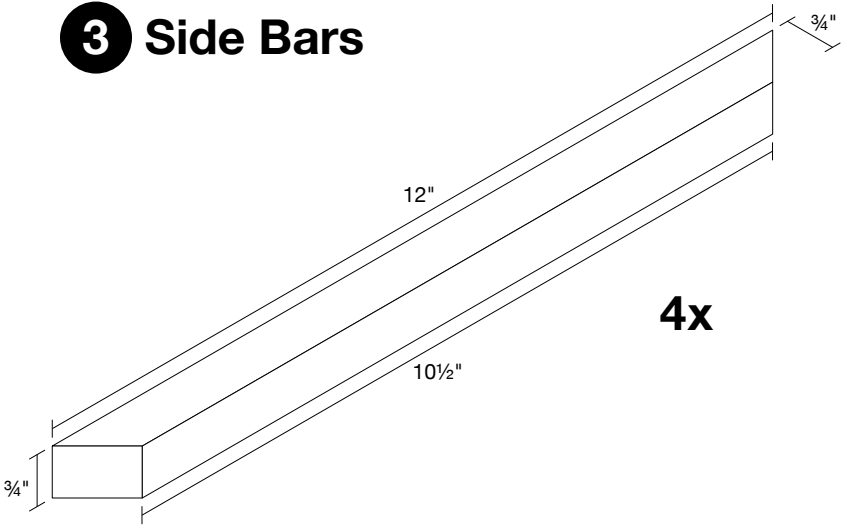


## 2 Bottom Crossbars

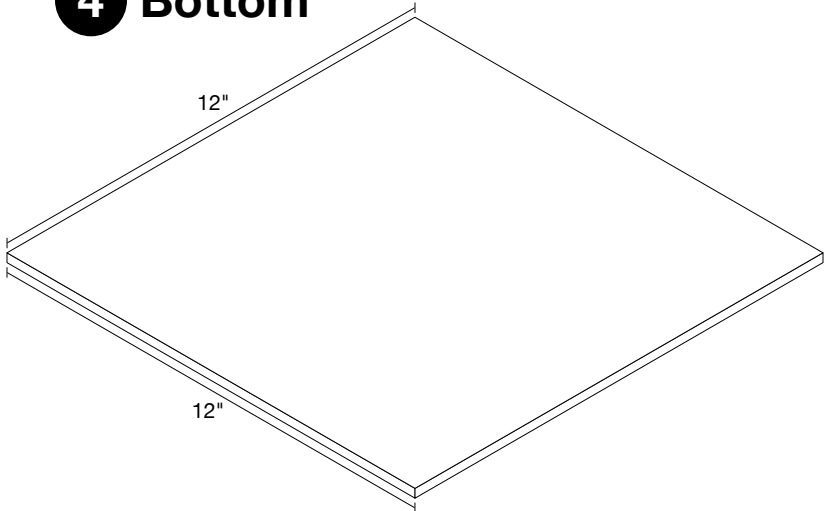




### 3 Side Bars



### 4 Bottom



## 5 Tray Assembly

