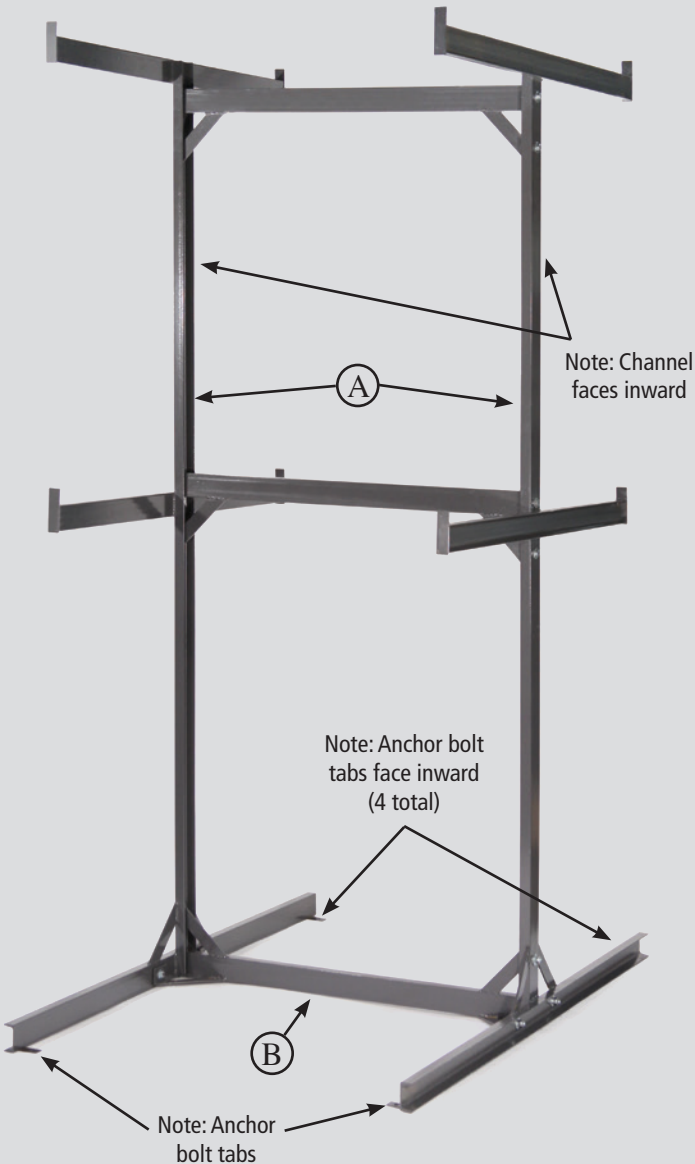




GATE RACK

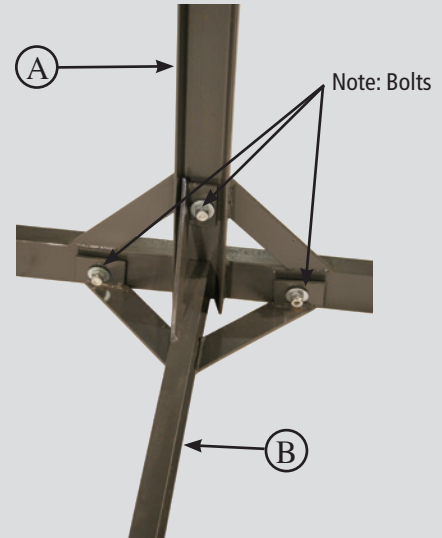
STEP ONE

Place Part B between two Part A's at bottom to begin.



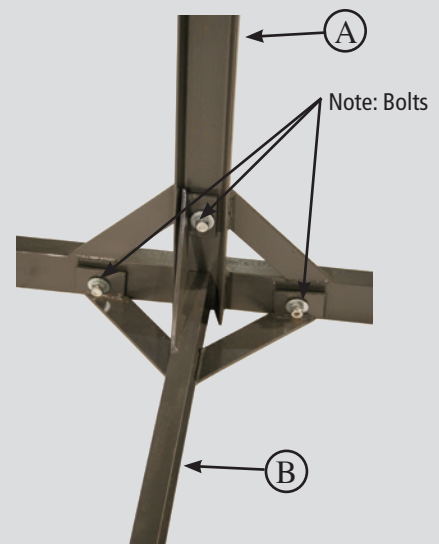
STEP TWO

Insert (3) 1/2" x 1 1/2" bolts to connect the Left side of Part A to the Left Side of Part B. Hand tighten lock nuts.
NOTE: DO NOT FULLY TIGHTEN BOLTS.



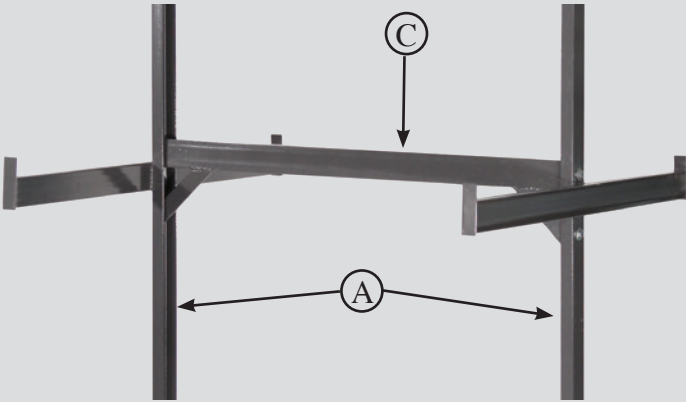
STEP THREE

Insert (3) 1/2" x 1 1/2" bolts to connect the Right side of Part A to the Right Side of Part B. Hand tighten lock nuts.
NOTE: DO NOT FULLY TIGHTEN BOLTS.



STEP FOUR

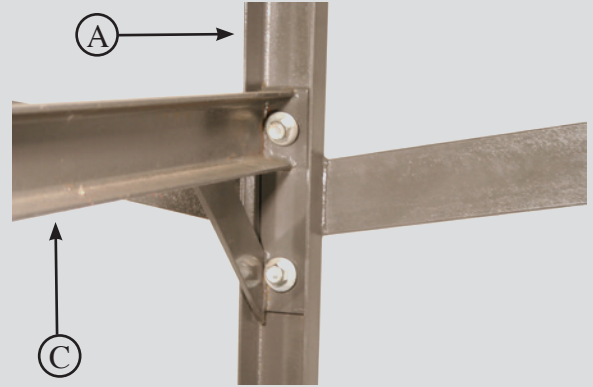
Place Part C between two Part A to complete middle assembly. For the short model, 1-tier gate racks, skip to step (7) seven.



STEP FIVE

Insert (2) 1/2" x 1 1/2" bolts to connect the Left Side of Part A to the Left side of Part C.

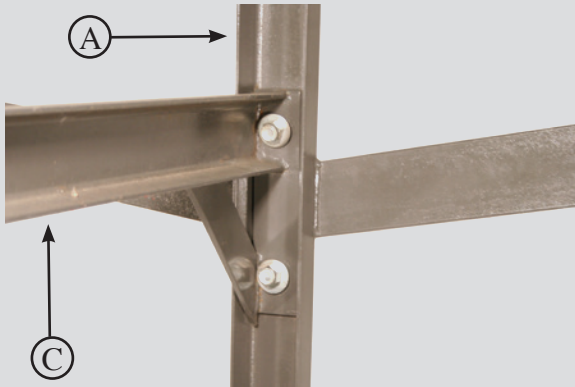
NOTE: DO NOT FULLY TIGHTEN BOLTS.



STEP SIX

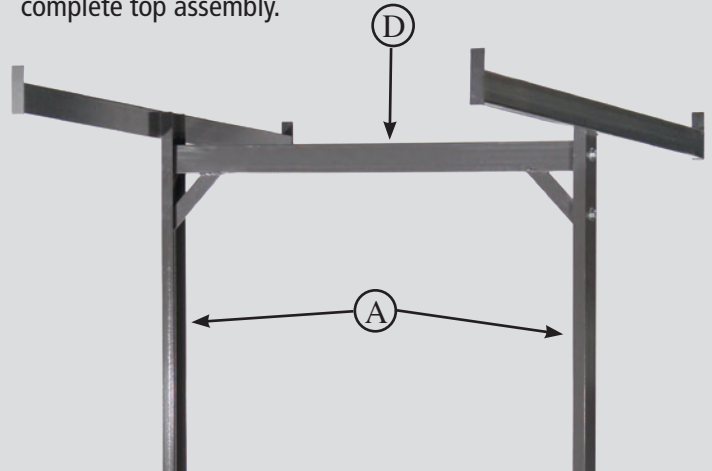
Insert (2) 1/2" x 1 1/2" bolts to connect the Right Side of Part A to the Right side of Part C.

NOTE: DO NOT FULLY TIGHTEN BOLTS.



STEP SEVEN

Using a step ladder, place Part D between two Part A to complete top assembly.



STEP EIGHT

Repeat steps 5 & 6 to complete assembly of Part D.

STEP NINE

Fully tighten all bolts (14 total-2-tier rack) (10 total 1-tier rack) once all parts are attached together.

Your Gate Rack is now complete and ready to use!



TARTER
FARM AND RANCH EQUIPMENT