

TARTER®

FARM AND RANCH EQUIPMENT

**IMPROVING LIFE
ON YOUR LAND**

American-made quality livestock
products since 1945.

ELEVATED POLY VANE MINERAL FEEDER: ASSEMBLY INSTRUCTIONS

(PART NUMBER: MF)



**For more information and questions, please contact:
Tarter Customer Service
1-800-RED-GATE (1-800-733-4283)**

(Tarter products are sold through Authorized Retailers Only.)

INTRODUCTION

Tarter's Heavy-Duty Mineral Feeder is our best selling livestock mineral feeder. This feeder protects valuable mineral from the elements.

TOOLS REQUIRED

- Tin Snips
- 7/16" Wrench
- Utility Knife

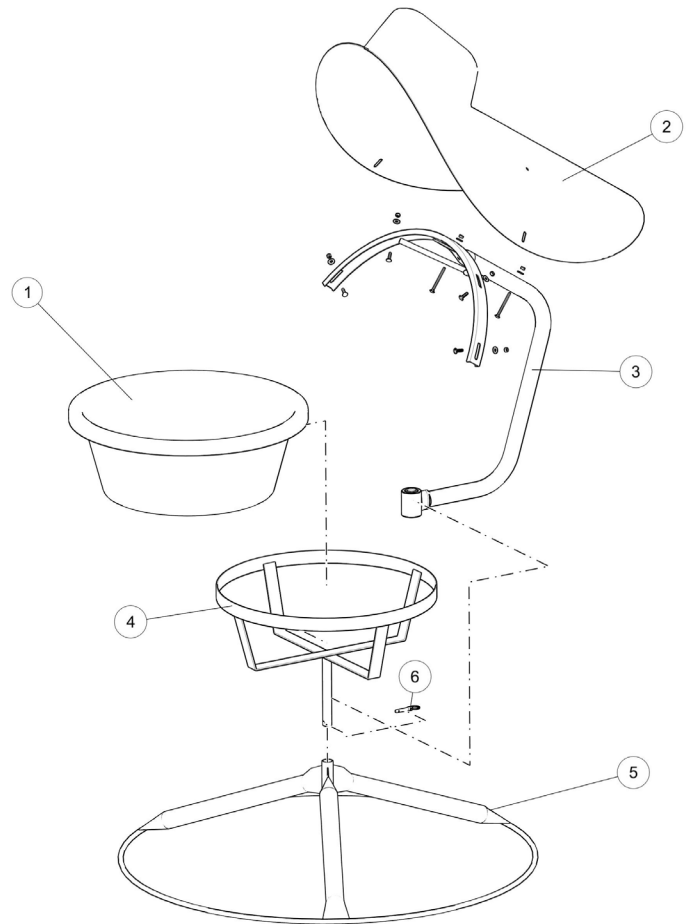
PARTS LIST

1. Tub - (Part # MFT)
 2. Top - (Part # TMFT)
 3. Neck - (Part # MFN)
 4. Basket - (Part # MFB)
 5. Base - (Part # MFBA)
- Hardware Bag - (Part # MFHB)

HARDWARE

- 1/4" - 20 x 3" Carriage Bolt (2)
(These will be used in neck tube installation (3))
- 1/4" - 20 x 1" Carriage Bolt (4)
(These will be used in neck top installation (3))
- 1/4" - Flat Washer (6)
- 1/4" - 20 Hex Nut (6)
- 6. 1/4" x 1 9/16" Lynch Pin (1)

Note: Clean paint from bearing and tube on bottom of basket (4). Grease and lubricate before assembly.



ASSEMBLY

1. Remove cover off Basket Tube (4).
2. Place Basket (4) into base of Neck (3) and through Base (5). Install Lynch Pin (6) through hole in Basket Tube (4).
3. Place Tub (1) into Basket (4).
4. Install Top (2) onto Neck (3) with Carriage Bolts, Washers, and Hex Nuts.

Note: Bolts should be inserted from underneath to prevent injury to livestock.