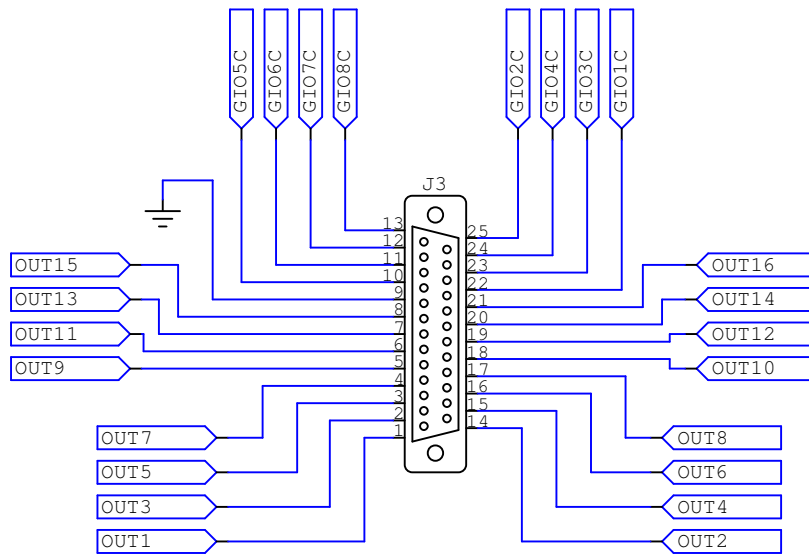
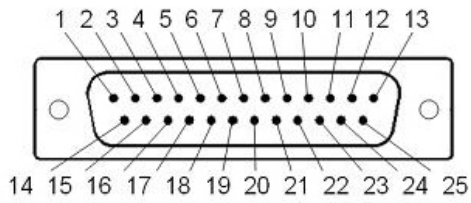


# Cirklon analogue bus



**Male DB - 25**



**Female DB - 25**

