

EZY - STIK III MODEL 870

MANUFACTURED BY

Ezy-Glide Inc.

PRODUCTS MEET OR EXCEED NMMA/ABYC STANDARDS
TYPE ACCEPTED EQUIPMENT
CODE * 159120

715 7th STREET
CHIPLEY, FL 32428
850/638-4403

CAUTION

THESE INSTRUCTIONS CONTAIN IMPORTANT SAFETY INFORMATION
AND MUST BE FORWARDED TO THE BOAT OWNER.

READ THESE INSTRUCTIONS CAREFULLY BEFORE INSTALLATION OF THE EZY-STIK III HELM. PARTS SUPPLIED MUST BE USED AS INSTRUCTED. EZY-GLIDE, INC. CANNOT ACCEPT RESPONSIBILITY FOR POOR AND/OR IMPROPER INSTALLATION, INCLUDING INSTALLATIONS IN WHICH SUBSTITUTE PARTS ARE USED. OUTDRIVE PIVOTS AND TRIM TABS MUST BE ADJUSTED AND LUBRICATED ACCORDING TO THE ENGINE MANUFACTURER OF THIS STEERING SYSTEM. EZY-GLIDE, INC. RECOMMENDS MAXIMUM ENGINE SIZE OF 70 HP. THIS RATING IS NOT BASED ON A MECHANICAL VALUE. IT IS A CONTINUATION OF OUR COMMITMENT TO SAFE BOATING BY ENCOURAGING MODERATE SPEEDS IN SMALL CRAFTS. OUR WARRANTY DOES NOT APPLY TO THIS PRODUCTS FITNESS FOR SPECIFIC APPLICATION. IT WILL BE SO STATED WHEN IT IS GENERALLY SUITED FOR AN APPLICATION. HOWEVER, SINCE WE CONTROL NEITHER SPECIFIC APPLICATIONS NOR SPECIFIC USE, WE WARRANT NOTHING BEYOND SPECIFICATIONS PER PRINT.

IMPORTANT INSTALLATION INSTRUCTIONS

THIS STEERING SYSTEM IS DESIGNED FOR PORT MOUNT ONLY



CAUTION: ONLY TRAINED AND QUALIFIED PERSONNEL SHOULD ATTEMPT
INSTALLATION OF REMOTE STEERING SYSTEMS.

ROUTING THE CABLE

- STEP 1 MAKE CERTAIN THAT THE CABLE OUTPUT RAM IS FULLY RETRACTED BEFORE ROUTING THE CABLE. DO NOT APPLY SIDE PRESSURE ON THE CABLE OUTPUT RAM. TO DO SO MAY RESULT IN PERMANENT DAMAGE TO THE CABLE.
- STEP 2 ROUTE THE STEERING CABLE BY LEADING WITH THE OUTPUT RAM. SELECT A PATH WITH AS FEW BENDS AND AS GRADUAL BENDS AS POSSIBLE. DO NOT MAKE BENDS IN THE CABLE OF LESS THAN 5 INCH RADIUS. SHARP BENDS WILL RESULT IN STIFF STEERING AND REDUCED CABLE LIFE.

DO NOT DISASSEMBLE CABLE FROM HELM TO INSTALL.

THE CABLE IS FACTORY INSTALLED INTO THE HELM OF THE EZY-STIK III AND IS READY FOR BOAT INSTALLATION.

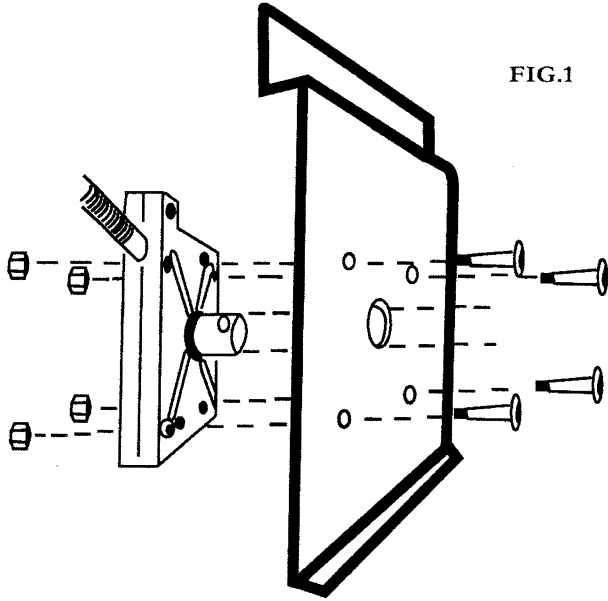


FIG.1

STEP 3

MOUNTING TO BOAT

WITH THE CABLE CORRECTLY ROUTED TOWARD THE ENGINE, PROCEED WITH INSTALLING THE HELM AS SHOWN IN FIGURE 1.

A MOUNTING TEMPLATE IS SUPPLIED WITH THESE INSTRUCTIONS FOR THE PURPOSE OF MARKING AND DRILLING HOLES THROUGH MOUNTING SURFACE. AFTER DRILLING IS COMPLETE, INSERT STEERING SHAFT THROUGH HOLE AS ILLUSTRATED IN FIG. 1 ALIGN FOUR MOUNTING HOLES WITH MOUNT HOLES IN HELM AND INSET MOUNT BOLTS. TORQUE ALL MOUNTING HARDWARE TO MINIMUM 65 INCH LBS. DO NOT EXCEED 75 INCH LBS.

STEP 4

INSTALLING LEVER

WITH THE STEERING HELM SECURED TO THE BOAT, INSTALL THE STEERING LEVER THROUGH THE TOP OF THE STEERING SHAFT HOLE. AT THIS POINT, CHECK TO MAKE SURE THAT THE LEVER WILL MAKE FULL PUSH/PULL STROKE (FULL TRAVEL). IF THE TRAVEL IS RESTRICTED, CHECK TO MAKE SURE THAT THE LEVER HAS NOT BEEN INSTALLED UP SIDE DOWN. WITH THE LEVER INSTALLED IN THE CORRECT POSITION, CHECK ENGINE FOR FULL LEFT AND RIGHT UNRESTRICTED MOVEMENT. REFER TO FIG. 5 UNDER OPERATIONAL INSTRUCTIONS DETAILING LEVER MOVEMENT AND ENGINE/BOAT RESPONSE.

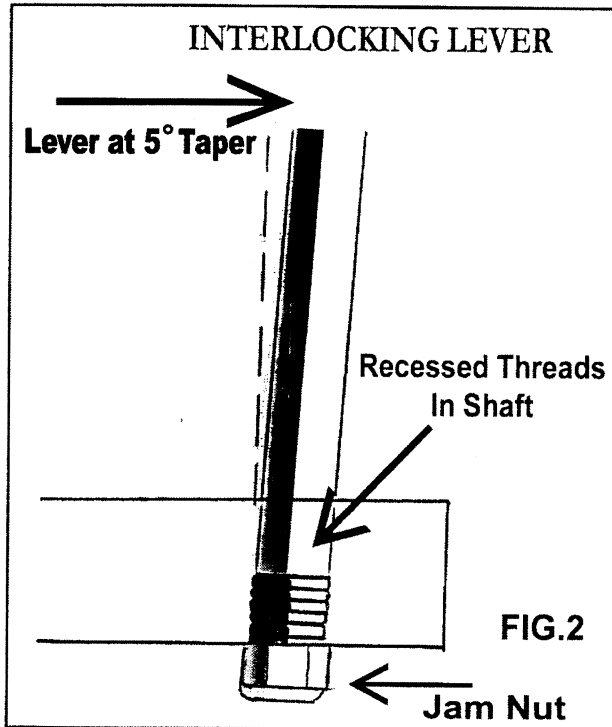
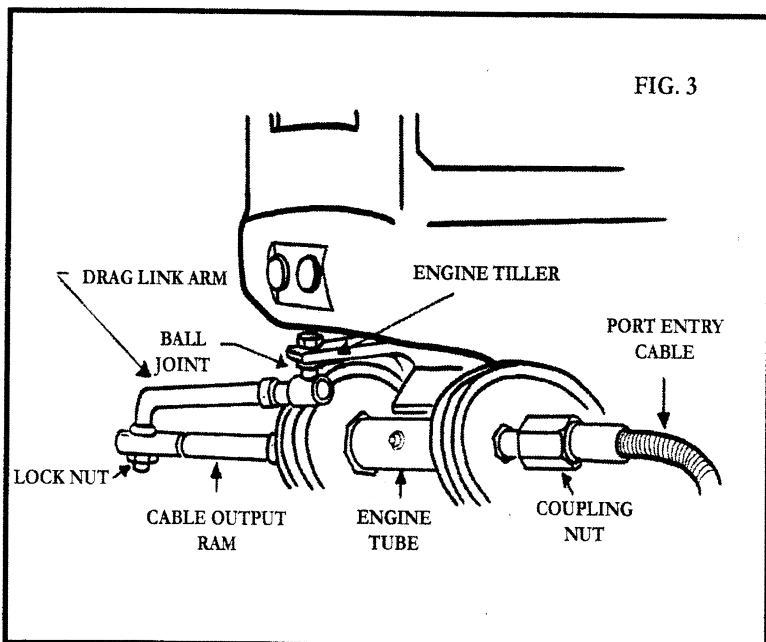


FIG.2

REMEMBER, COMMON SENSE AND BOATING COURTESY ARE STEPS TOWARD SAFE BOATING!

FIG. 3



STEP 5 ENGINE CONNECTION

FIRST MAKE SURE THAT THE CABLE IS THE CORRECT LENGTH FOR YOUR BOAT. PLACE THE STEERING LEVER TO MID-TRAVEL POSITION. EXCESSIVE BENDS COULD RESULT IN INTERNAL DAMAGE AND REDUCE THE LIFE OF THE CABLE.

WITH THE CORRECT CABLE LENGTH, INSERT THE CABLE OUTPUT RAM THROUGH THE TILT TUBE LOCATED ON THE ENGINE. SECURE THE CABLE TO THE ENGINE TUBE BY THREADING THE COUPLER NUT ONTO THE ENGINE TUBE. TORQUE THE COUPLER NUT TO A MINIMUM 100 INCH LBS. DO NOT EXCEED 120 INCH LBS. CONNECT OUTPUT RAM TO LINK ARM TORQUE TO A MINIMUM OF 60 INCH LBS. DO NOT EXCEED 75 INCH LBS.

CHECK ALL CONNECTIONS FOR TIGHTNESS, INCLUDING LINK ARM CONNECTION TO ENGINE TILLER. REFER TO YOUR ENGINE MANUFACTURERS INSTRUCTIONS FOR ENGINE TO LINK ARM TORQUE REQUIREMENTS, TRIM TAB AND OTHER ADJUSTMENTS.

THESE INSTALLATION INSTRUCTIONS BY EZY-GLIDE, INC. ARE CONFINED TO THE STEERING SYSTEM INSTALLATION AND DOES NOT MAKE RECOMMENDATIONS SUCH AS TORQUE REQUIREMENTS BEYOND THE CABLE OUTPUT RAM CONNECTION TO LINK ARM.

THE STANDARD EZY STIK III CABLE IS NOT RECOMMENDED FOR USE IN THE SALT WATER ENVIRONMENT. TO DO SO WILL REDUCE THE LIFE OF THE CABLE. THE REDUCED LIFE AND/OR FAILURE OF THE CABLE DUE TO SALT WATER USE IS NOT COVERED BY WARRANTY.

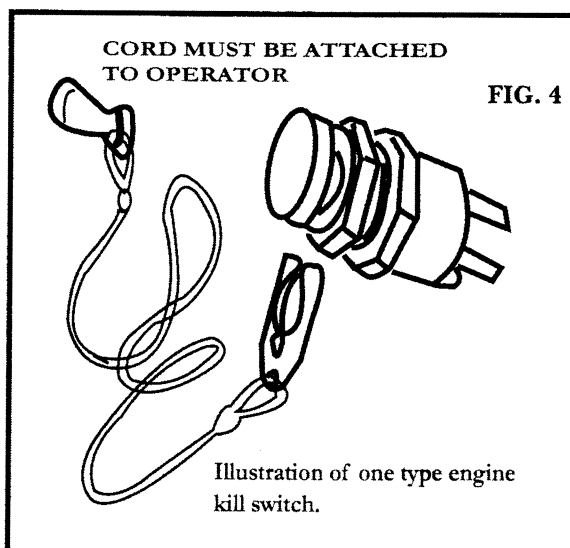
SAFETY NOTICE

USE COMMON SENSE AND SAFE BOATING PROCEDURES. DO NOT ATTEMPT OPERATION OF BOAT UNDER THE INFLUENCE OF ALCOHOL OR DRUGS.

We believe that one of the most important safety devices for an outboard driven boat is the Emergency Engine Cut-off switch. We strongly urge the installation of a quality switch and the use of it during the operation of the outboard engine. Several types of switches are available, consult your dealer for installation of a quality engine kill switch.

CORD MUST BE ATTACHED TO OPERATOR

FIG. 4



OPERATIONAL INSTRUCTIONS

EZY - STIK III MODEL 870

BY:

Ezy-Glide Inc.

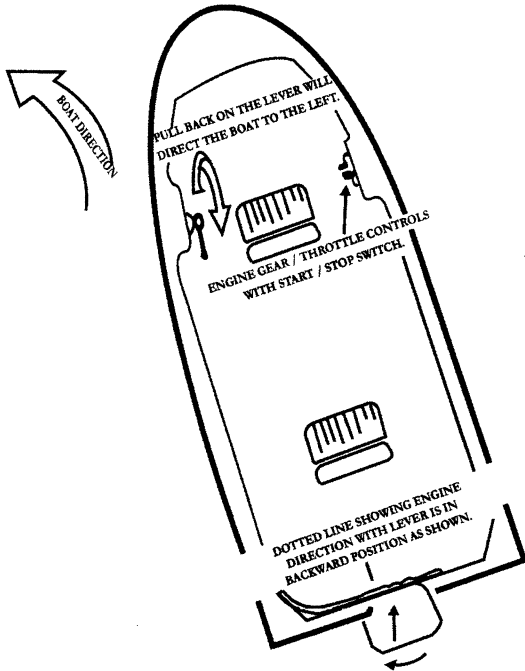


FIG. 5

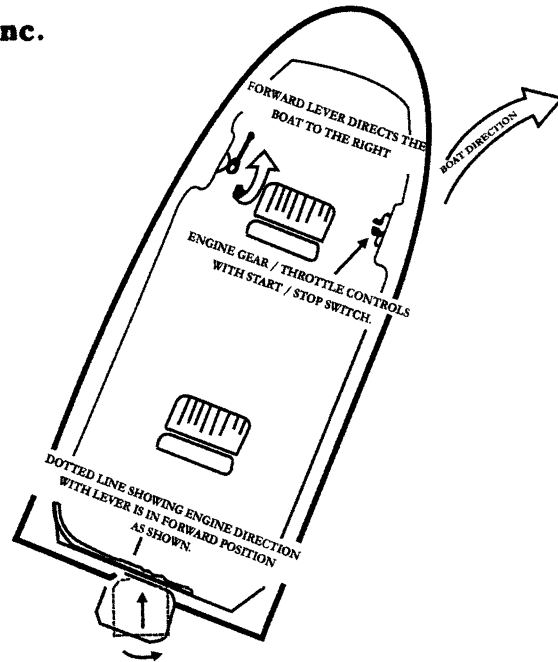
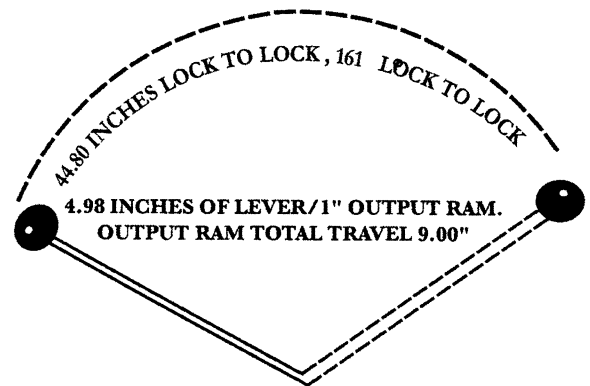


FIG. 6

LEVER MOVEMENT



OPERATIONAL TEST

THE OPERATOR SHOULD BE THOROUGHLY ORIENTED AS TO THE DIRECTION THE BOAT WILL TRAVEL WHEN THE LEVER IS PUSHED FORWARD AND PULLED BACKWARD. REFER TO FIG. 5 ILLUSTRATING BOAT REACTION TO PUSH AND PULL OF THE STEERING LEVER. OPERATE BOAT AT SLOW SPEEDS, MAKING FULL TURNS RIGHT AND LEFT TO INSURE THAT THERE ARE NO OBSTRUCTIONS RESTRICTING THE ENGINE ROTATION. BOAT HULLS AND BOTTOMS VARY IN DESIGN FROM ONE MANUFACTURER TO ANOTHER, WHICH MAKES SOME BOATS RESPOND DIFFERENTLY THAN OTHERS. EXPERIENCE YOUR BOATS RESPONSE TO TURNS AT MODERATE SPEEDS BEFORE OPERATING AT FULL THROTTLE. REMOTE TRIM ON OUTBOARDS IS RECOMMENDED FOR ENGINES IN EXCESS OF 40 HP. THIS EASES TORQUE FEEDBACK TO THE OPERATOR

CAUTION

BOAT MANUFACTURE AND/OR BOAT OWNER

SINCE ALL BOATS ARE NOT IDENTICAL WE RECOMMEND THE EXAMINATION OF THE NATIONAL MARINE MANUFACTURERS ASSOCIATION (NMMA) CERTIFICATION HANDBOOK OF THE STANDARDS, ALONG WITH THE EVALUATION OF THE EZY-STIK III STEERING SYSTEM ON YOUR PARTICULAR BOAT APPLICATION. AS THE MANUFACTURER OF THE STEERING SYSTEM THIS RATING IS NOT BASED ON A MECHANICAL VALUE BUT RATHER A PART OF OUR CONTINUING COMMITMENT TO SAFE BOATING BY ENCOURAGING MODERATE SPEEDS IN SMALL CRAFTS FOR WHICH THE EZY-STIK III STEERING SYSTEM IS DESIGNED.