

# PLASTIC BOXES - WIRE DUCTS - DIN RAILS - CABLE TIES





[www.tecnomatic.com](http://www.tecnomatic.com)



## TECHNICAL SPECIFICATIONS

- Material: ABS thermoplastic, heat resistant to 650°C, with rust and corrosion proof screws.

- Halogen free and RoHS compliant.

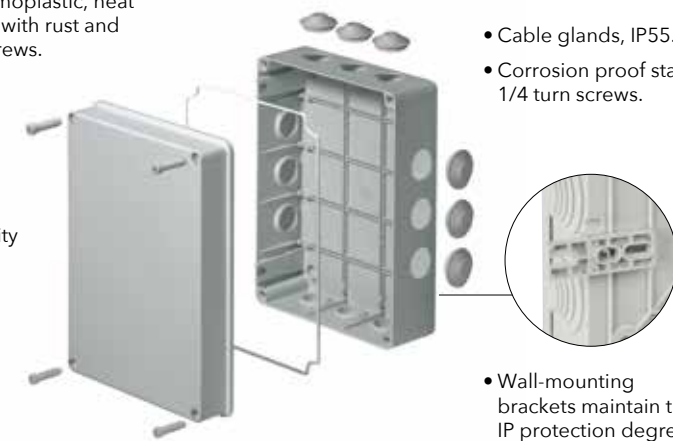
- Colour: Ral 7035 gray.

- Temperature: Dimensional stability between -25 to +70°C

- Impact resistance: up to 6J

- Ratings: IP56 or IP55 with cable glands.

- Snap-on hinges allows door to open 90 degrees.



- Cable glands, IP55.

- Corrosion proof stainless steel or plastic 1/4 turn screws.

- Wall-mounting brackets maintain the IP protection degree of the box.



- Premolded channels for easy mounting of din rails, breakers, terminal strips or mounting plates.



- Metal mounting plates. Also available in insulating material.



- Captive plastic screws.



## PLASTIC BOX WITH SNAP-ON COVER



Part Number	Internal dimensions mm (in)	Pcs/Carton
<b>400 C1</b>	∅ 65 x 35 (2.56 x 1.38)	120
<b>400 C2</b>	∅ 80 x 40 (3.15 x 1.57)	150
<b>400 C3</b>	80 x 80 x 40 (3.15 x 3.15 x 1.57)	160

## PLASTIC BOX WITH SCREW-ON COVER



Part Number	Internal dimensions mm (in)	Pcs/Carton
<b>410 C4</b>	100 x 100 x 50 (3.94 x 3.94 x 1.97)	100
<b>410 C4R</b>	120 x 80 x 50 (4.7 x 3.1 x 1.97)	100
<b>410 C5</b>	150 x 110 x 70 (5.91 x 4.33 x 2.75)	42
<b>410 C6</b>	190 x 140 x 70 (7.48 x 5.51 x 2.75)	24
<b>410 C7•</b>	240 x 190 x 90 (9.45 x 7.48 x 3.54)	16
<b>410 C8*</b>	300 x 220 x 120 (11.81 x 8.66 x 4.72)	6
<b>410 C9*</b>	380 x 300 x 120 (14.96 x 11.81 x 4.72)	4
<b>410 C10*</b>	460x380x120 (18.11 x 14.96 x 4.72)	4

• With nylon screws  
\* With nylon screws and hinged cover

## PLASTIC BOX WITH RAISED COVER



Part Number	Internal dimensions mm (in)	Pcs/Carton
<b>430 C5</b>	150 x 110 x 140 (5.91 x 4.33 x 5.51)	18
<b>430 C6</b>	190 x 140 x 140 (7.48 x 5.51 x 5.51)	16
<b>430 C7•</b>	240 x 190 x 160 (9.45 x 7.48 x 6.30)	8
<b>430 C8*</b>	300 x 220 x 180 (11.81 x 8.66 x 7.09)	4
<b>430 C9*</b>	380 x 300 x 180 (14.96 x 11.81 x 7.09)	3

• With nylon screws  
\* With nylon screws and hinged cover

## MOUNTING PLATE



Part Number	Internal dimensions mm (in)	Pcs/Carton
<b>450 P6</b>	190 x 140 (7.48x5.51)	30
<b>450 P7</b>	240 x 190 (9.45 x 7.48)	30
<b>450 P8</b>	300 x 220 (11.81 x 8.66)	20
<b>450 P9</b>	380 x 300 (14.96 x 11.81)	10
<b>450 P10</b>	460 x 380 (18.11 x 14.96)	10

## PLASTIC BOX WITH STEPPED GLANDS



Part Number	Internal dimensions mm (in)	Pcs/Carton
<b>400 C4</b>	100 x 100 x 50 (3.94 x 3.94 x 1.97)	90
<b>400 C4R</b>	120 x 80 x 50 (4.7 x 3.1 x 1.97)	90
<b>400 C5</b>	150 x 110 x 70 (5.91 x 4.33 x 2.75)	45
<b>400 C6</b>	190 x 140 x 70 (7.48 x 5.51 x 2.75)	25
<b>400 C7•</b>	240 x 190 x 90 (9.45 x 7.48 x 3.54)	14
<b>400 C8*</b>	300 x 220 x 120 (11.81 x 8.66 x 4.72)	6
<b>400 C9*</b>	380 x 300 x 120 (14.96 x 11.81 x 4.72)	5
<b>400 C10*</b>	460 x 380 x 120 (18.11 x 14.96 x 4.72)	4

• With nylon screws  
\* With nylon screws and hinged cover

## PLASTIC BOX WITH TRANSPARENT COVER



Part Number	Internal dimensions mm (in)	Pcs/Carton
<b>420 C5</b>	150 x 110 x 70 (5.91 x 4.33 x 2.75)	42
<b>420 C6</b>	190 x 140 x 70 (7.48 x 5.51 x 2.75)	24
<b>420 C7•</b>	240 x 190 x 90 (9.45 x 7.48 x 3.54)	16
<b>420 C8*</b>	300 x 220 x 120 (11.81 x 8.66 x 4.72)	6
<b>420 C9*</b>	380 x 300 x 120 (14.96 x 11.81 x 4.72)	4
<b>420 C10*</b>	460 x 380 x 120 (18.11 x 14.96 x 4.72)	4

• With nylon screws  
\* With nylon screws and hinged cover

## PLASTIC BOX WITH RAISED TRANSPARENT COVER



Part Number	Internal dimensions mm (in)	Pcs/Carton
<b>440 C5</b>	150 x 110 x 140 (5.91 x 4.33 x 5.51)	18
<b>440 C6</b>	190 x 140 x 140 (7.48 x 5.51 x 5.51)	16
<b>440 C7•</b>	240 x 190 x 160 (9.45 x 7.48 x 6.30)	8
<b>440 C8*</b>	300 x 220 x 180 (11.81 x 8.66 x 7.09)	4
<b>440 C9*</b>	380 x 300 x 180 (14.96 x 11.81 x 7.09)	3

• With nylon screws  
\* With nylon screws and hinged cover



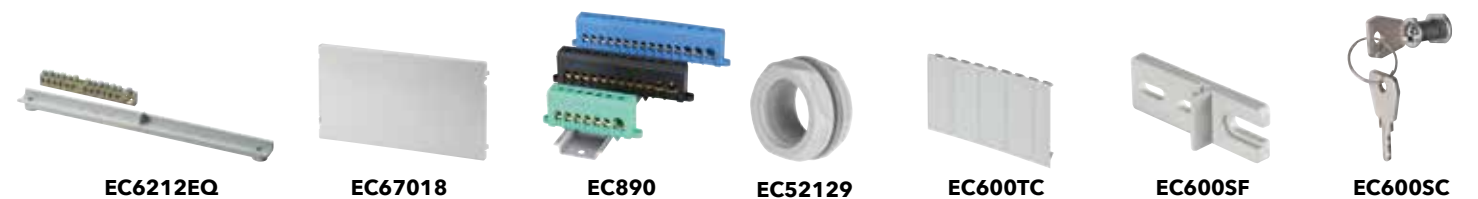
## IP65 WALL MOUNTED DISTRIBUTION BOXES

Part Number	External dimensions mm (in)	N. of modules	Pcs/Carton
<b>620 04</b>	150 x 170 x 100 (5.91x6.69x3.94)	4	1/22
<b>620 08</b>	200 x 180 x 100 (7.87x7.09x3.94)	8	1/14
<b>620 12</b>	280 x 220 x 100 (11.02x8.66x3.94)	12	1/8
<b>620 24</b>	290 x 390 x 130 (11.42x15.35x5.12)	24 (2x12)	1/4
<b>620 36</b>	400 x 400 x 130 (15.75x15.75x5.12)	36 (2x18)	1/4
<b>620 54</b>	400 x 600 x 130 (15.75x23.62x5.12)	54 (3x18)	-/1
<b>620 72</b>	420 x 885 x 150 (16.54x34.84x5.91)	72 (4x18)	-/1
<b>WITH TERMINAL STRIPS</b>			
<b>620 04E</b>	150 x 170 x 100 (5.91x 6.69x3.94)	4	1/22
<b>620 08E</b>	200 x 180 x 100 (7.87x7.09x3.94)	8	1/14
<b>620 12E</b>	280 x 220 x 100 (11.02x8.66x3.94)	12	1/8
<b>620 24E</b>	290 x 390 x 130 (11.42x15.35x5.12)	24 (2x12)	1/4
<b>620 36E</b>	400 x 400 x 130 (15.75x15.75x5.12)	36 (2x18)	1/4
<b>620 54E</b>	400 x 600 x 130 (15.75x23.62x5.12)	54 (3x18)	-/1
<b>620 72E</b>	420 x 885 x 150 (16.54x34.84x5.91)	72 (4x18)	-/1

## IP40 FLUSH MOUNTED DISTRIBUTION BOXES

Part Number	External dimensions mm (in)	N. of modules	Pcs/Carton
<b>630 04</b>	154 x 160 x 80 (6.06x6.3x3.15)	4	1/20
<b>630 08</b>	240 x 194 x 80 (9.45x7.64x3.15)	8	1/9
<b>630 12</b>	320 x 240 x 80 (12.6x9.45x3.15)	12	1/7
<b>630 24</b>	320 x 388 x 80 (12.6x15.28x3.15)	24 (2x12)	1/5
<b>630 36</b>	430 x 410 x 80 (16.3x16.14x3.15)	36 (2x18)	1/4
<b>630 54</b>	430 x 618 x 80 (16.3x24.33x3.15)	54 (3x18)	1
<b>630 72</b>	450 x 853 x 95 (17.72x33.59x3.74)	72 (4x18)	1
<b>WITH TERMINAL STRIPS</b>			
<b>630 04E</b>	154 x 160 x 80 (6.06x6.3x3.15)	4	1/20
<b>630 08E</b>	240 x 194 x 80 (9.45x7.64x3.15)	8	1/9
<b>630 12E</b>	320 x 240 x 80 (12.6x9.45x3.15)	12	1/7
<b>630 24E</b>	320 x 388 x 80 (12.6x15.28x3.15)	24 (2x12)	1/5
<b>630 36E</b>	430 x 410 x 80 (16.3x16.14x3.15)	36 (2x18)	1/4
<b>630 54E</b>	430 x 618 x 80 (16.3x24.33x3.15)	54 (3x18)	1
<b>630 72E</b>	450 x 853 x 95 (17.72x33.59x3.74)	72 (4x18)	1

Colours available: RAL 7035 gray - RAL 9001 white - Black

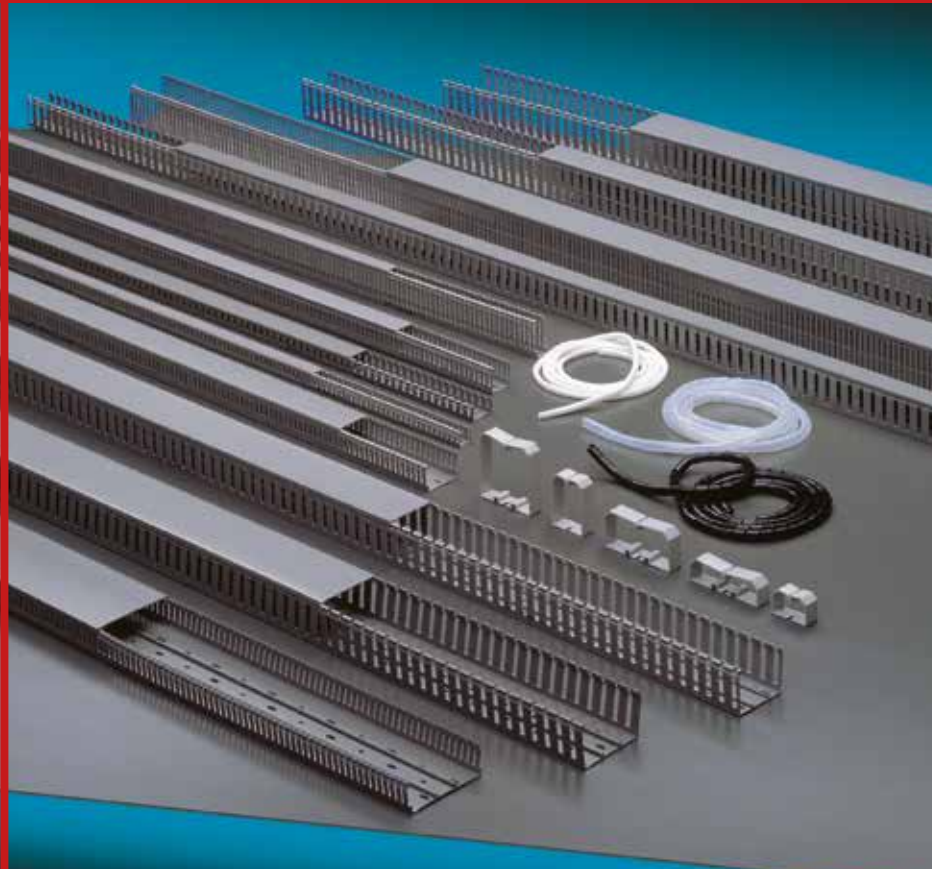


## TECHNICAL SPECIFICATIONS

- Material: ABS thermoplastic, heat resistant to 650°C, with rust and corrosion proof screws. Halogen free and RoHS compliant.
- Colour: Ral 7035 gray with tinted polycarbonate door.
- Ratings: IP65.
- Easy to install terminal strips.
- Din rail, filler plastic plates, label and plastic caps are all included with each unit.
- Housing designed for Modular Components either 48 or 75mm deep.

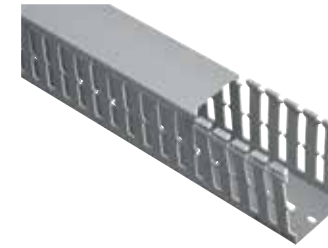


- Removable and reversible clear door.
- Wall-mounting brackets maintain the IP protection degree of the box.
- Blank labels included with each unit.



Material:	Self-extinguishing PVC UL94 V0
High temperature and flame resistant up to 960°C (glow wire test)	
Max temperature for continuous use 60°C	
Standard length:	2 meters
Standard colour:	Ral 7030 gray RAL 9001 white upon request.
Halogen free in Ral 7035 light gray available only upon request	
RoHS compliant	
UL file E331386	

## WIRE DUCT 8/12/8mm SPACING



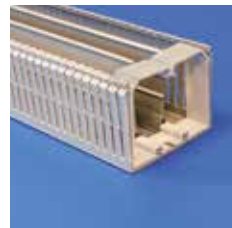
Part Number	Width mm (in)	Height mm (in)	Meters/feet per carton
<b>A 2525</b>	25 (0.98)	25 (0.98)	100/328
<b>A 2540</b>	25 (0.98)	40 (1.57)	100/328
<b>A 2560</b>	25 (0.98)	60 (2.36)	70/230
<b>A 2580</b>	25 (0.98)	80 (3.35)	56/184
<b>A 4025</b>	40 (1.57)	25 (0.98)	80/262
<b>A 4040</b>	40 (1.57)	40 (1.57)	70/230
<b>A 4060</b>	40 (1.57)	60 (2.36)	56/184
<b>A 4080</b>	40 (1.57)	80 (3.35)	40/131
<b>A 40100</b>	40 (1.57)	100 (3.94)	32/105
<b>A 6040</b>	60 (2.36)	40 (1.57)	50/164
<b>A 6060</b>	60 (2.36)	60 (2.36)	32/105
<b>A 6080</b>	60 (2.36)	80 (3.35)	36/118
<b>A 60100</b>	60 (2.36)	100 (3.94)	24/79
<b>A 8040*</b>	80 (3.35)	40 (1.57)	40/131
<b>A 8060*</b>	80 (3.35)	60 (2.36)	28/92
<b>A 8080*</b>	80 (3.35)	80 (3.35)	30/98
<b>A 80100*</b>	80 (3.35)	100 (3.94)	24/79
<b>A 10040*</b>	100 (3.94)	40 (1.57)	28/92
<b>A 10060*</b>	100 (3.94)	60 (2.36)	20/66
<b>A 10080*</b>	100 (3.94)	80 (3.35)	24/79
<b>A 100100*</b>	100 (3.94)	100 (3.94)	16/52
<b>A 12040*</b>	120 (4.72)	40 (1.57)	24/79
<b>A 12060*</b>	120 (4.72)	60 (2.36)	20/66
<b>A 12080*</b>	120 (4.72)	80 (3.35)	16/52
<b>SES G</b>	separator	separator	50/164

Available in gray and white colour.  
\* With separator.

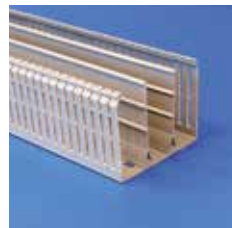
## TECHNICAL SPECIFICATIONS



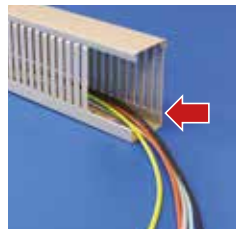
Burr-free edges to safeguard technician's hands.



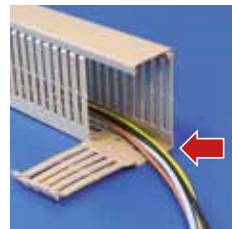
Wire retainers available only for wire duct 40mm wide and up.



Wire separator available for the 80, 100, 120mm wide wire duct.



Scored at the bottom of each finger for easy removal.



Scored at base for easy removal of sidewall.



# WIRE DUCTS

C.E.I. 23 - 22 Standards



## WIRE DUCT 4/6/4mm SPACING



Part Number	Width mm (in)	Height mm (in)	Meters/feet per carton
S 2525	25 (0.98)	25 (0.98)	100/328
S 2540	25 (0.98)	40 (1.57)	100/328
S 2560	25 (0.98)	60 (2.36)	70/230
S 2580	25 (0.98)	80 (3.35)	56/184
S 4025	40 (1.57)	25 (0.98)	80/262
S 4040	40 (1.57)	40 (1.57)	70/230
S 4060	40 (1.57)	60 (2.36)	56/184
S 4080	40 (1.57)	80 (3.35)	40/131
S 40100	40 (1.57)	100 (3.94)	32/105
S 6040	60 (2.36)	40 (1.57)	50/164
S 6060	60 (2.36)	60 (2.36)	32/105
S 6080	60 (2.36)	80 (3.35)	36/118
S 60100	60 (2.36)	100 (3.94)	24/79
S 8040*	80 (3.35)	40 (1.57)	40/131
S 8060*	80 (3.35)	60 (2.36)	28/92
S 8080*	80 (3.35)	80 (3.35)	30/98
S 80100*	80 (3.35)	100 (3.94)	24/79
S 10040*	100 (3.94)	40 (1.57)	28/92
S 10060*	100 (3.94)	60 (2.36)	20/66
S 10080*	100 (3.94)	80 (3.35)	24/79
S 100100*	100 (3.94)	100 (3.94)	16/52
S 12040*	120 (4.72)	40 (1.57)	24/79
S 12060*	120 (4.72)	60 (2.36)	20/66
S 12080*	120 (4.72)	80 (3.35)	16/52
SES G	separator	separator	50/164

Available in gray and white colour.  
\* With separator.

## SPIRAL WRAP IN TRANSPARENT POLYTHENE



Part Number	mm ø int./ext.	mt. per bundle	mt. per carton
P 03	3/5	25	500
P 04	4/6	25	500
P 06	6/8	25	300
P 08	8/10	25	400
P 10	10/12	25	200
P 12	12/14	20	160
P 14	14/16	20	160

Black or transparent upon request.

# CABLE TIES

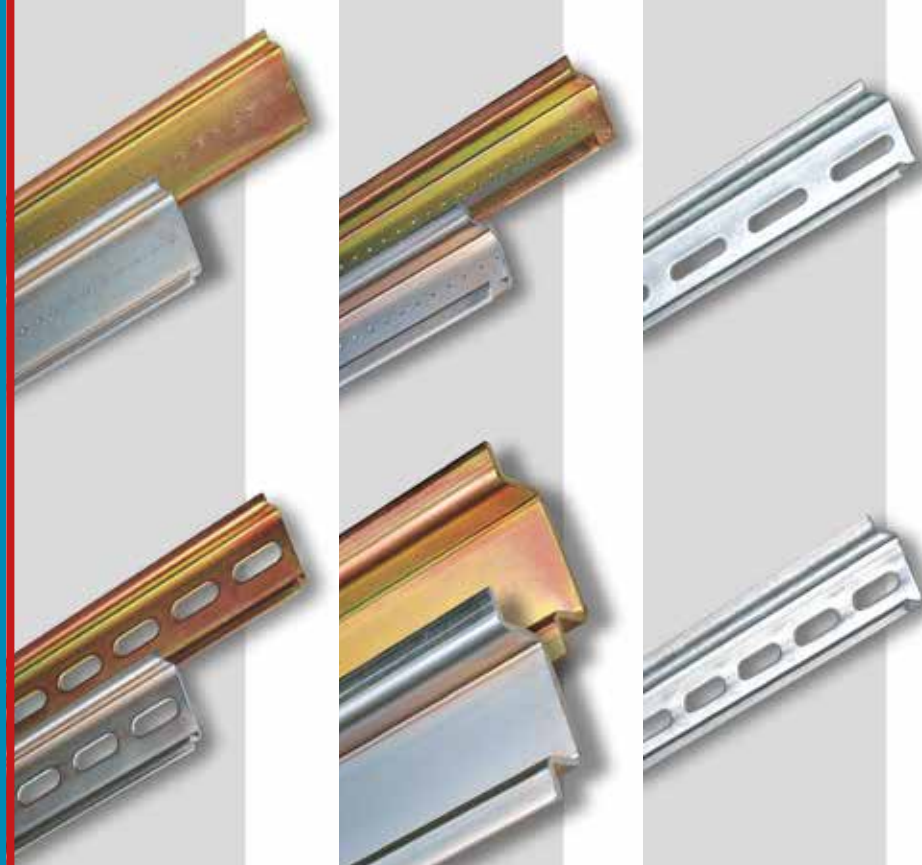


## DESCRIPTION

	Dimensions Length x Width		Max. Bundle		Tensile strength		Pcs/bag	Pcs/Carton
	Length	m/m	Inch.	m/m	Lbs	N		
TIE 2.301	3 x 0,1	75 x 2,5	5/8"	16	20	90	1000	60.000
TIE 2.302	4 x 0,1	100 x 2,5	1"	24	20	90	1000	50.000
TIE 2.303	5,4 x 0,1	135 x 2,5	1 3/8"	35	20	90	1000	40.000
TIE 2.304	6,4 x 0,1	160 x 2,5	1 3/4"	40	20	90	1000	40.000
TIE 2.305	8 x 0,1	200 x 2,5	2 1/4"	55	20	90	1000	30.000
TIE 2.310	5,6 x 0,14	140 x 3,5	1 3/8"	36	33	150	1000	30.000
TIE 2.311	8 x 0,14	200 x 3,5	2 1/4"	55	33	150	1000	20.000
TIE 2.312	11 x 0,14	280 x 3,5	3 1/4"	80	33	160	100	13.000
TIE 2.314	14,5 x 0,14	360 x 3,5	4 1/4"	107	33	150	100	8.000
TIE 2.320	5,6 x 0,18	140 x 4,5	1 3/8"	35	62	280	1000	20.000
TIE 2.321	6,4 x 0,18	160 x 4,5	1 1/2"	40	62	280	1000	20.000
TIE 2.322	7,2 x 0,18	180 x 4,5	1 3/4"	45	62	280	1000	15.000
TIE 2.323	8 x 0,18	200 x 4,5	2"	51	62	280	100	10.000
TIE 2.224	10 x 0,18	250 x 4,5	3"	73	62	280	100	10.000
TIE 2.425	11 x 0,18	280 x 4,5	3"	76	62	280	100	10.000
TIE 2.426	14,5 x 0,18	360 x 4,5	4"	101	62	280	100	8.000
TIE 2.427	15 x 0,18	380 x 4,5	4 3/8"	110	62	280	100	7.000
TIE 2.428	17 x 0,18	430 x 4,5	5"	130	62	280	100	5.000
TIE 2.430	7 x 0,3	180 x 7,5	2"	50	135	600	100	5.000
TIE 2.432	8 x 0,3	200 x 7,5	2"	52	135	600	100	5.000
TIE 2.431	10 x 0,3	240 x 7,5	2 3/4"	69	135	600	100	4.000
TIE 2.433	11 x 0,3	280 x 7,5	3"	76	135	600	100	4.000
TIE 2.434	14,5 x 0,3	360 x 7,5	4"	10	135	600	100	3.000
TIE 2.435	18 x 0,3	450 x 7,5	5 3/8"	136	135	600	100	2.500
TIE 2.436	20 x 0,3	500 x 7,5	6"	145	135	600	100	2.500
TIE 2.437	21,5 x 0,3	540 x 7,5	6 1/2"	164	135	600	100	2.500
TIE 2.441	30 x 0,3	750 x 7,5	9"	220	135	600	100	1.500
TIE 2.442	22 x 0,36	550 x 9	6 1/2"	165	180	800	50	2.000
TIE 2.443	31 x 0,36	780 x 9	9 3/8"	235	180	800	50	1.000
TIE 2.450	10 x 0,5	250 x 12,5	2 3/8"	60	248	1100	50	2.000
TIE 2.451	20 x 0,5	500 x 12,5	6"	145	248	1100	50	1.000
TIE 2.452	30 x 0,5	750 x 12,5	8 3/4"	215	248	1100	50	1.000
TIE 2.453	40 x 0,5	1000 x 12,5	12"	305	248	1100	50	1.000
BAS 2507 BASE square 3/4"							100	20.000
BAS 2508 BASE square 1"							100	10.000

- Our cable ties are made of self-extinguishing (UL-94 V2) nylon PA6.6 with operating temperature between -40°C and +85°C.

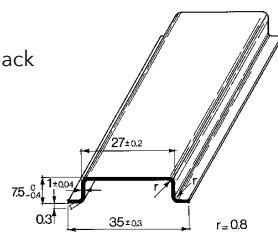
# DIN RAILS



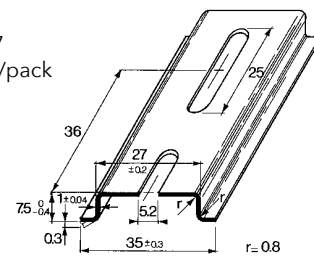
Mounting rails made in accordance to DIN 46277, CENELEC EN 50.022/50.035 standards. Each bar: 2 mt (6'6 3/4")

## LOW PROFILE

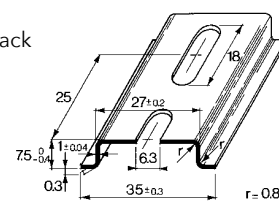
88337  
40 mt/pack



88537  
40 mt/pack

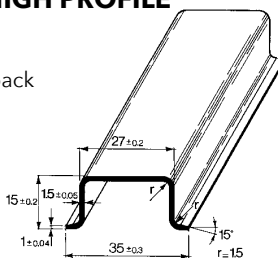


88437  
40 mt/pack

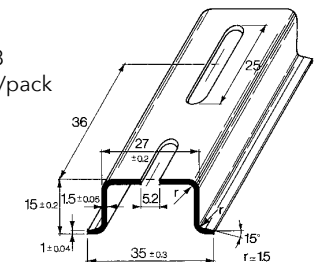


## HIGH PROFILE

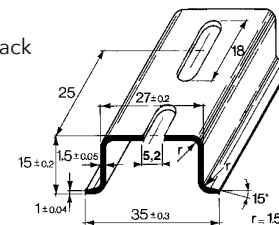
88338  
20 mt/pack



88538  
20 mt/pack

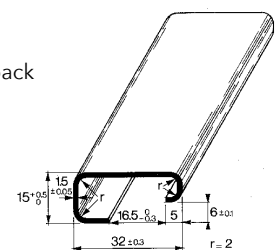


88438  
20 mt/pack

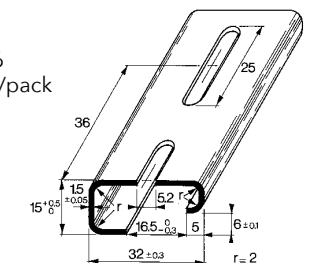


## G TYPE

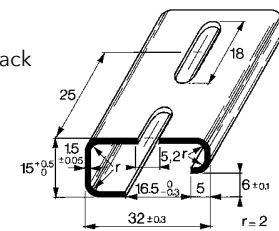
88336  
20 mt/pack



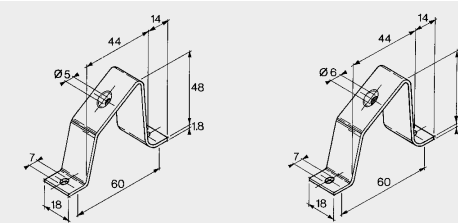
88536  
20 mt/pack



88436  
20 mt/pack

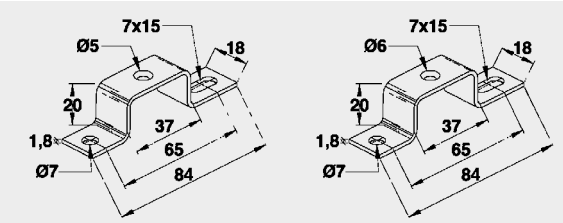


# ACCESSORIES (Dimensions in mm)



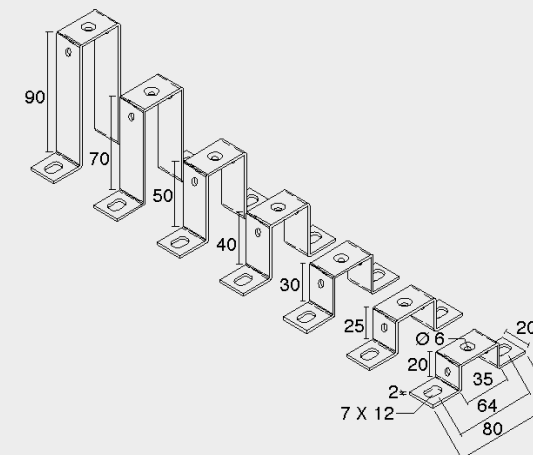
TS-S	White	Pcs/ Cart.
TS-S M5	<b>031002 001 05000</b>	10
TS-S M6	<b>031002 001 06000</b>	10

Steel support brackets, galvanic zinc plating and passivated.



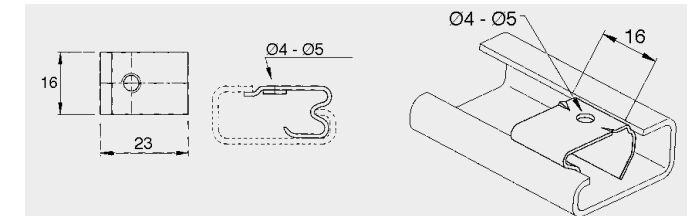
TS-T2	White	Pcs/ Cart.
TST2 M5	<b>031002 002 05000</b>	10
TST2 M6	<b>031002 002 06000</b>	10

Steel support brackets, galvanic zinc plating and passivated.



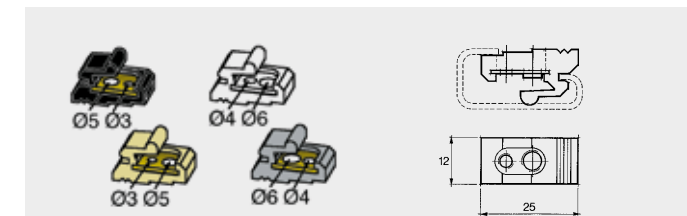
TS-T	White	Pcs/ Cart.
TST20 M6	<b>031002 003 06000</b>	10
TST25 M6	<b>031002 004 06000</b>	10
TST30 M6	<b>031002 005 06000</b>	10
TST40 M6	<b>031002 006 06000</b>	10
TST50 M6	<b>031002 007 06000</b>	10
TST70 M6	<b>031002 008 06000</b>	10
TST90 M6	<b>031002 009 06000</b>	10

Steel support brackets, galvanic zinc plating and passivated.



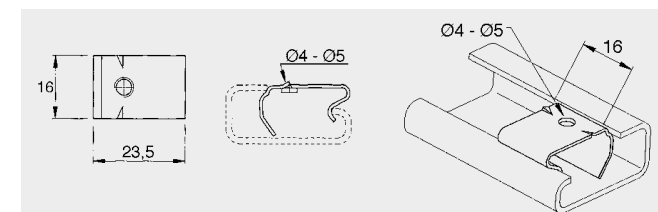
DIN-KLIP	Part. No	Pcs/ Cart.
DIN-KLIP M4	<b>034002 002 04000</b>	100
DIN-KLIP M5	<b>034002 002 05000</b>	100

Mounting clips for mounting rail - Allow installation of components which are not pre-set to clip on to rail . Material: nickel-plated steel.



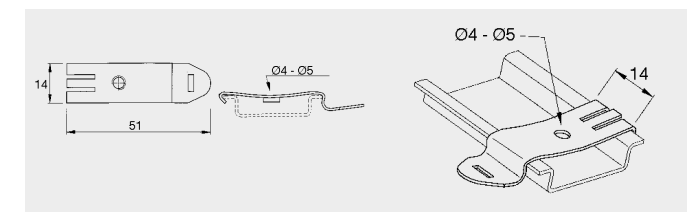
DIN-KLIP	Part. No	Pcs/ Cart.
P-KLIP M3-M5	<b>031002 010 35000</b>	100
P-KLIP M5-M3	<b>031002 010 53000</b>	100
P-KLIP M4-M6	<b>031002 010 46000</b>	100
P-KLIP M6-M4	<b>031002 010 64000</b>	100

Material: Nylon 6/6 and steel galvanic zinc plating and passivation.



G-KLIP	Part. No	Pcs/ Cart.
G-KLIP M4	<b>034002 003 04000</b>	100
G-KLIP M5	<b>034002 003 05000</b>	100

Mounting clips for mounting rail - Allow installation of components which are not pre-set to clip on to rail . Material: nickel-plated steel.



FIX-KLIP	Part. No	Pcs/ Cart.
FIX-KLIP M4	<b>034002 001 04000</b>	100
FIX-KLIP M5	<b>034002 001 05000</b>	100

Mounting clips for mounting rail - Allow installation of components which are not pre-set to clip on to rail . Material: nickel-plated steel.

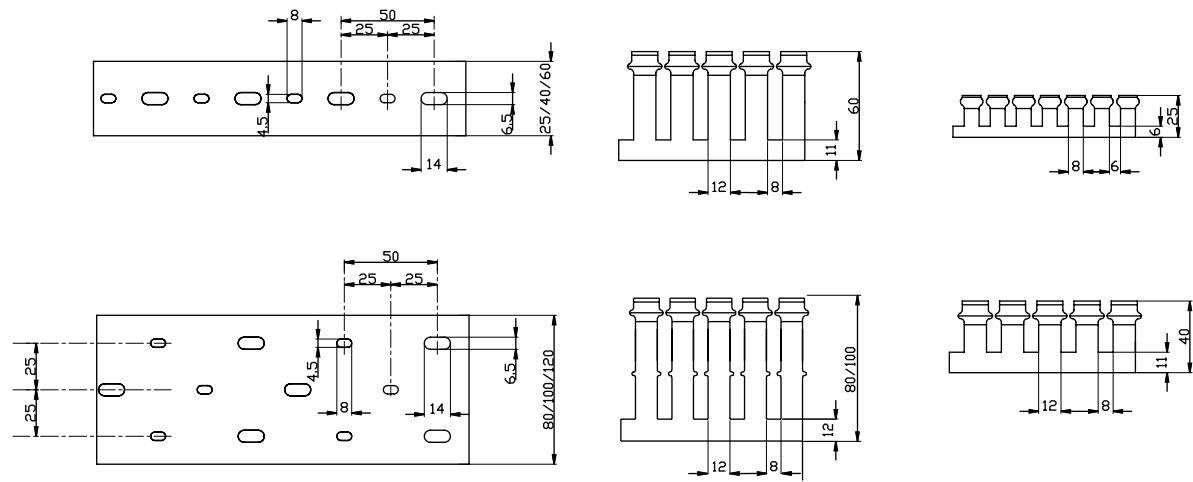




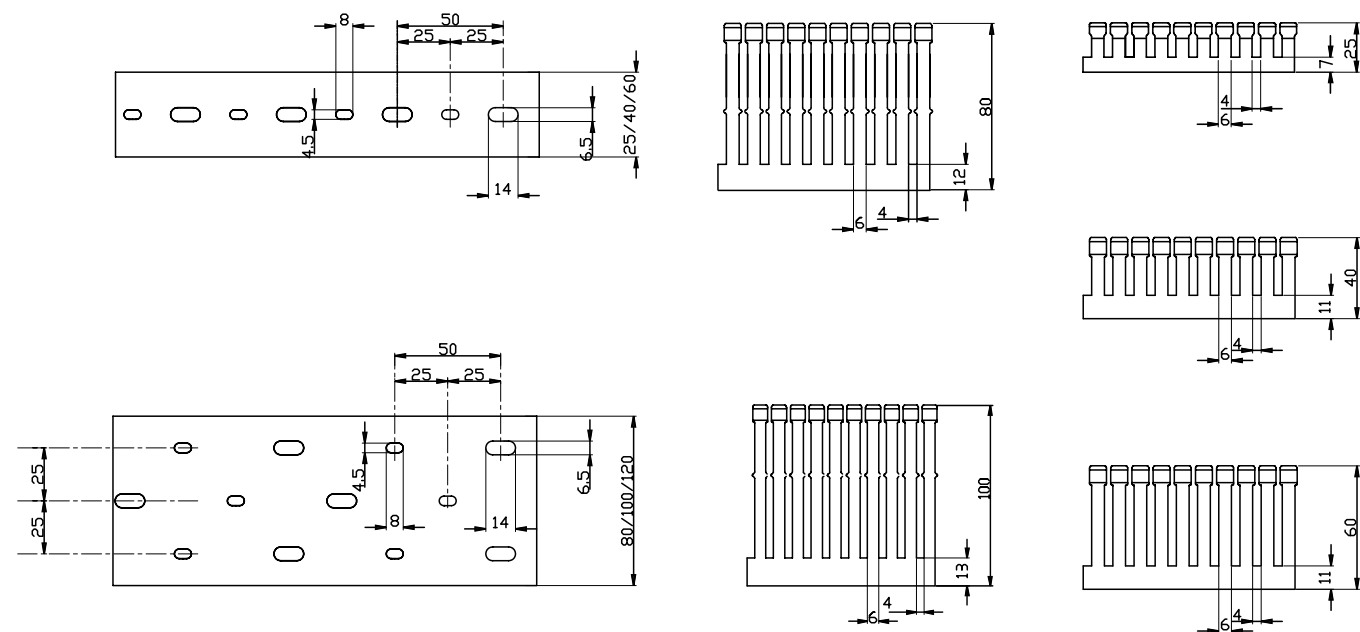




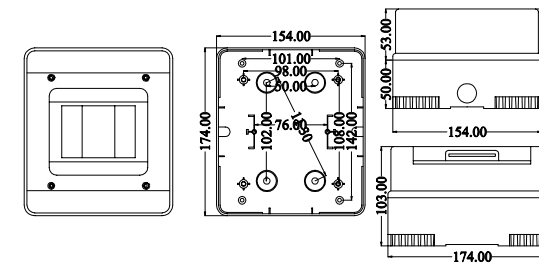
**WIRE DUCTS - 8/12/8 mm SPACING**



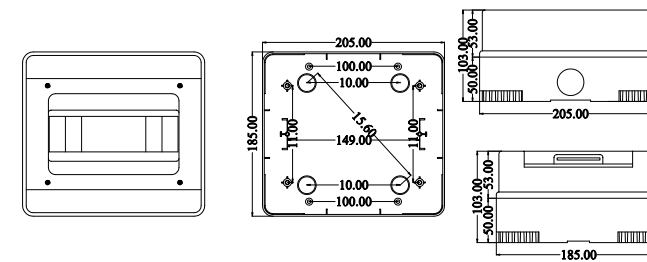
**WIRE DUCTS - 4/6/4 mm SPACING**



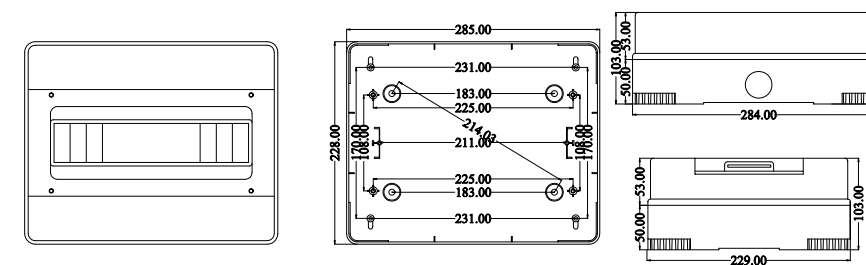
**DISTRIBUTION BOXES SERIES 620**



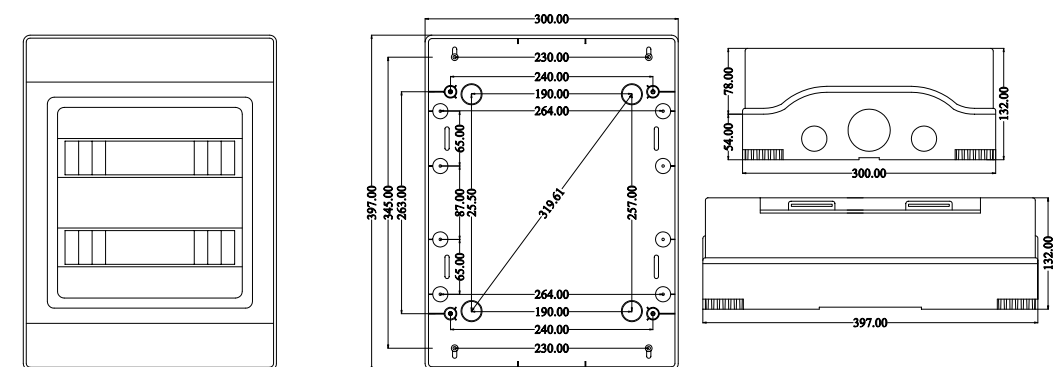
620 04/640 04



620 08/640 08



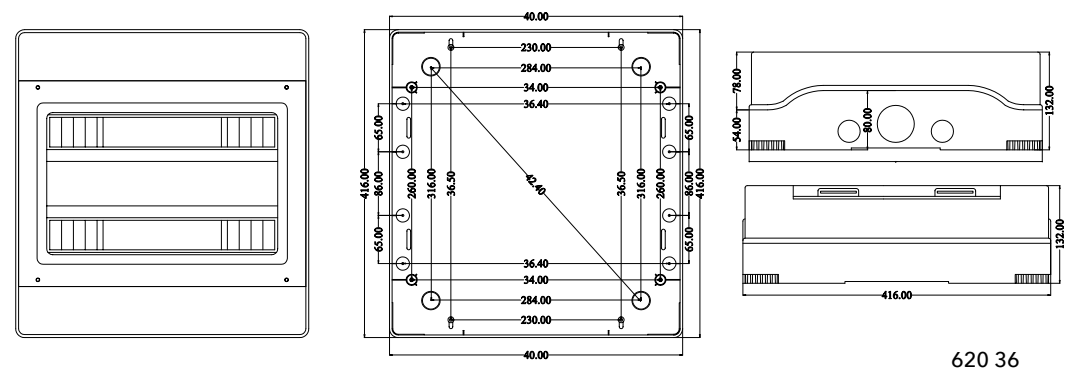
620 12



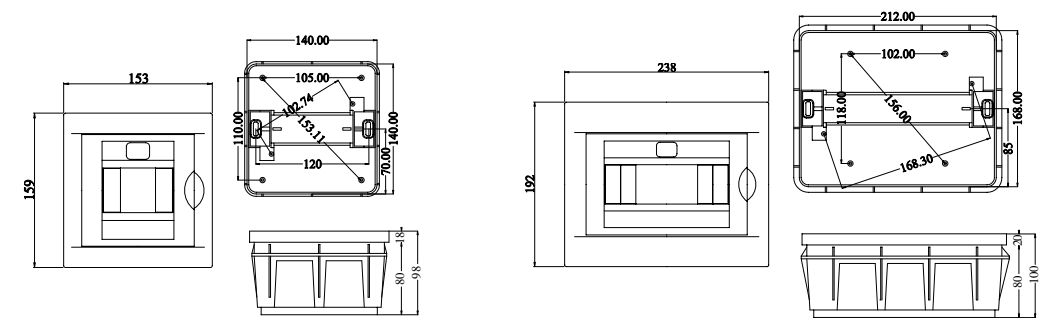
620 24



**DISTRIBUTION BOXES SERIES 630**

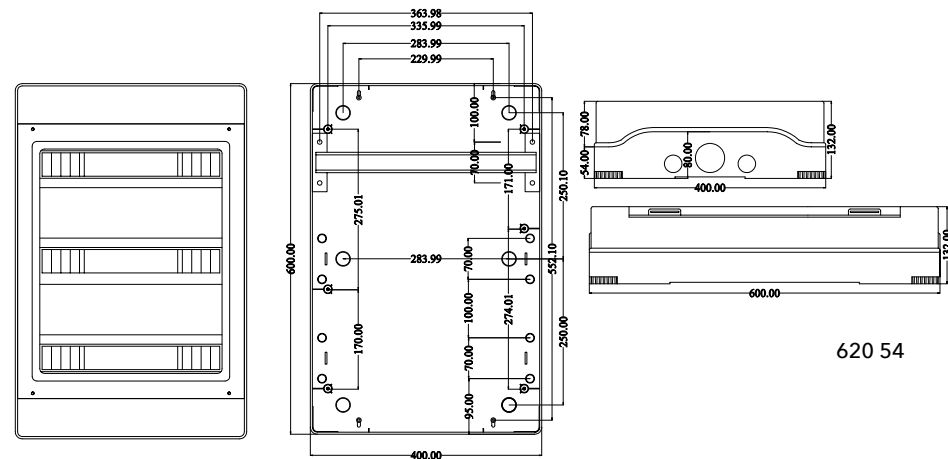


620 36

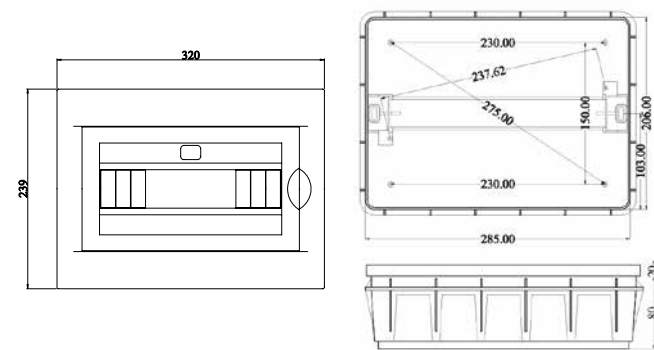


630 04

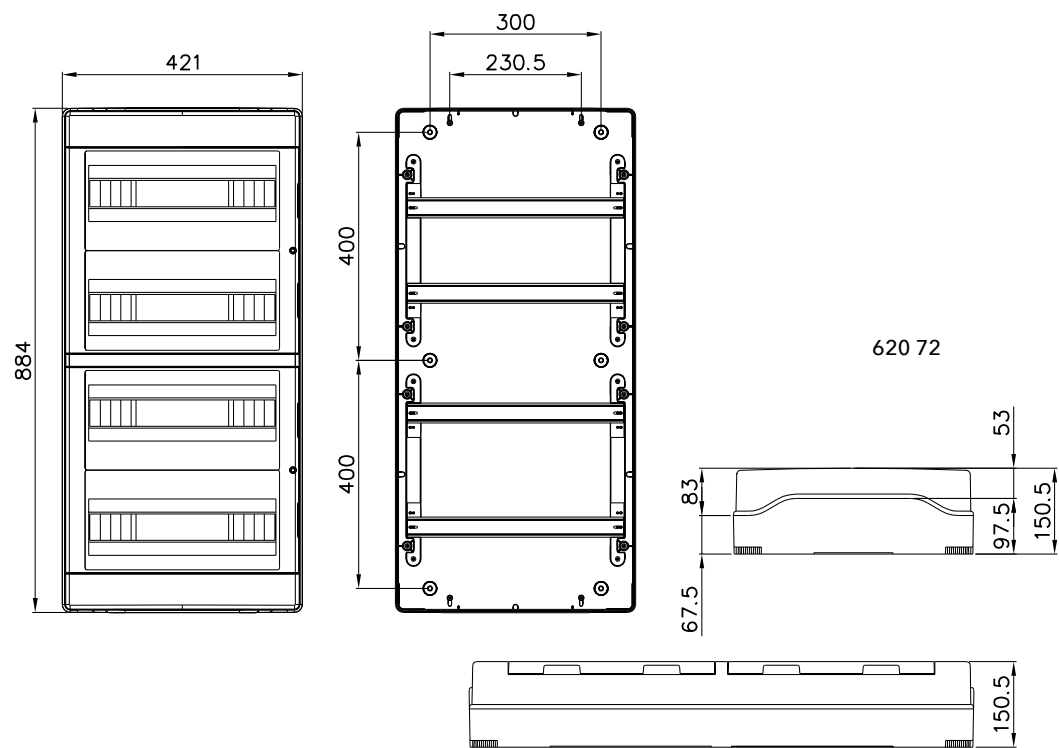
630 08



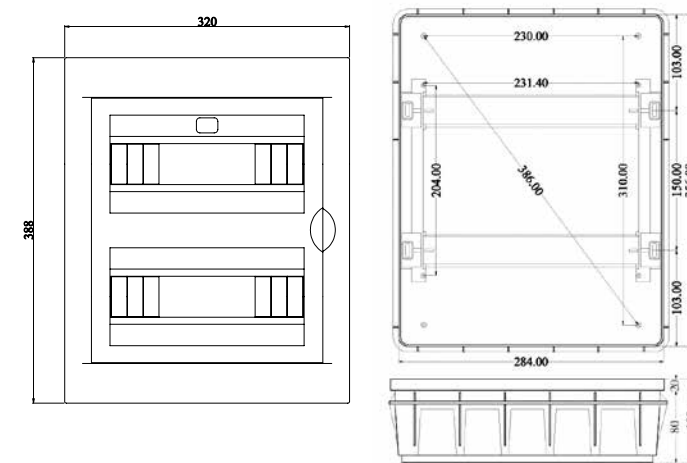
620 54



630 12



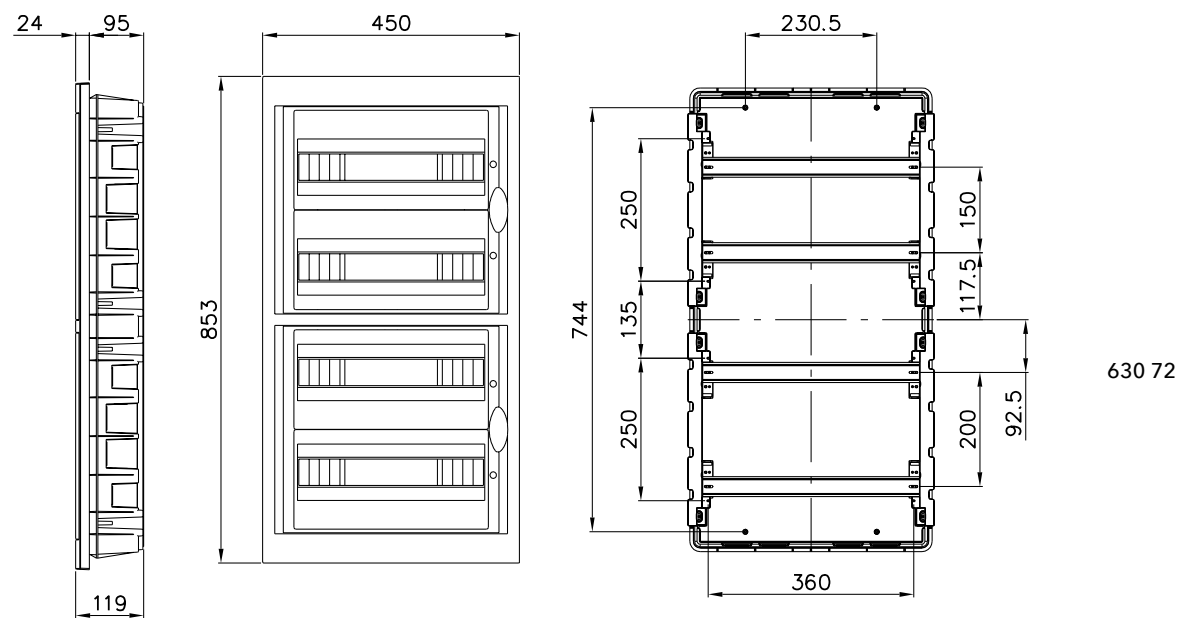
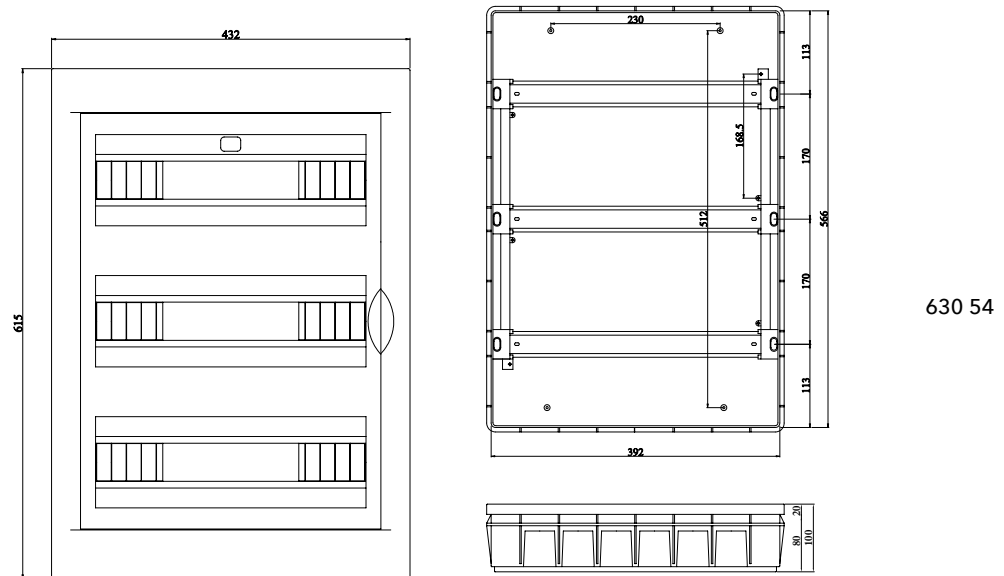
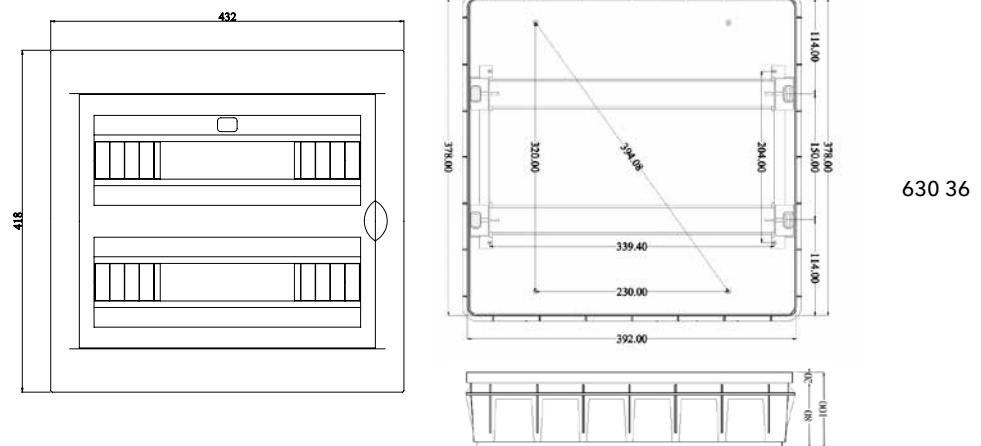
620 72



630 24

**DIMENSIONS in mm (1 in=25.4mm)**

**DISTRIBUTION BOXES SERIES 630**





**TECNOMATIC CORP.**

TECNOMATIC CORP  
130 LENOX AVE, UNIT 6  
STAMFORD, CT 06906  
TEL 203-359-9036  
FAX 203-967-9026  
EFAX: 203-724-2075  
[www.tecnomatic.com](http://www.tecnomatic.com)