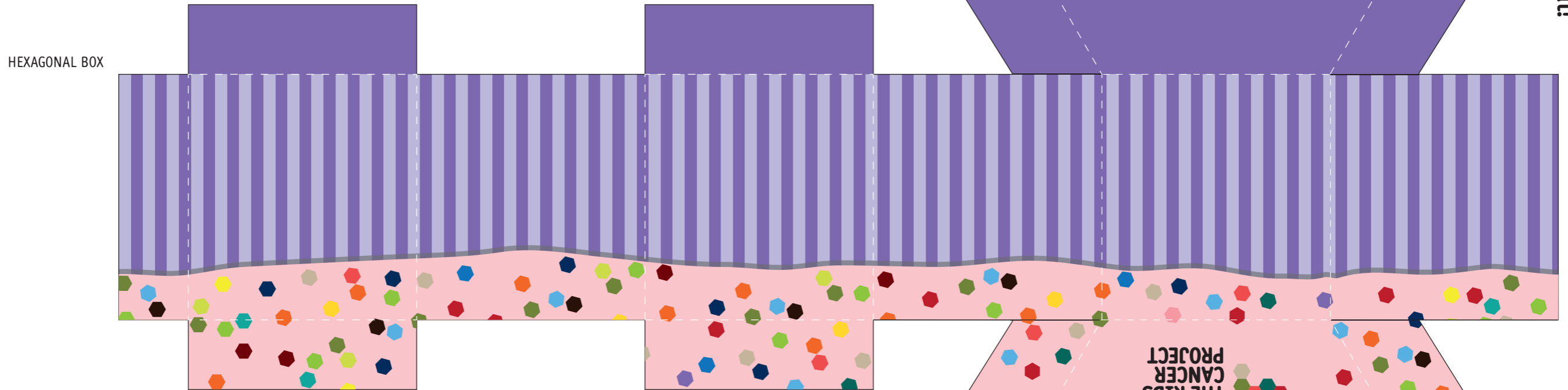


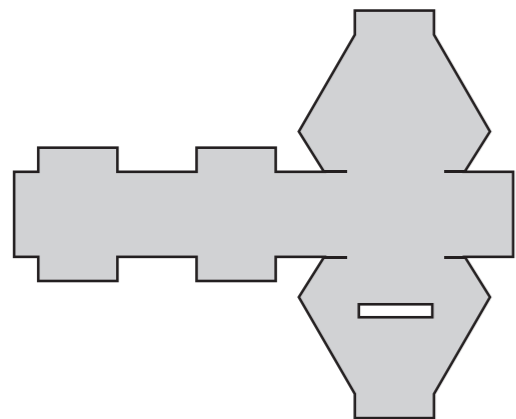


DONATION BOX
Print on A3 card – 200gsm is ideal!

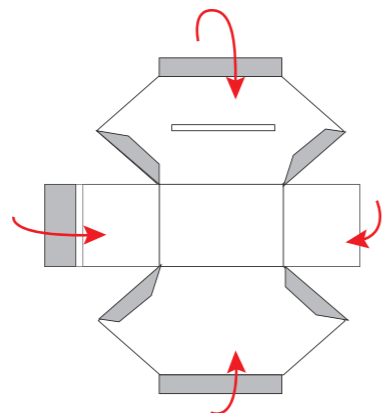


To make the box:

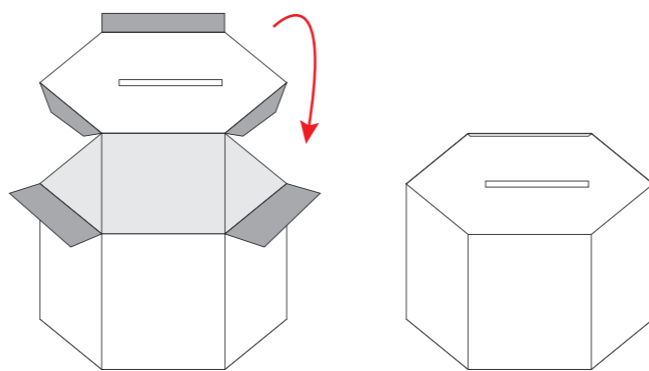
Step 1: Cut out box shape along BLACK lines. Coin slot is best cut with a craft knife.



Step 2: Place the shape printed side down. Fold the WHITE DOTTED LINES inward so that the box forms with the printing on the outside.



Step 3: Use sticky tape, double sided tape or glue to close the tabs and form the box.



Step 4: Cut out header card, fold and slip into gap between lid and side of box.

