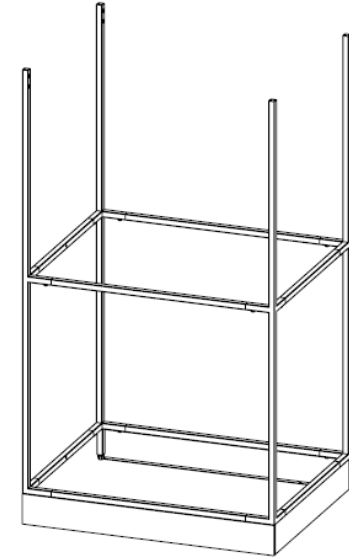
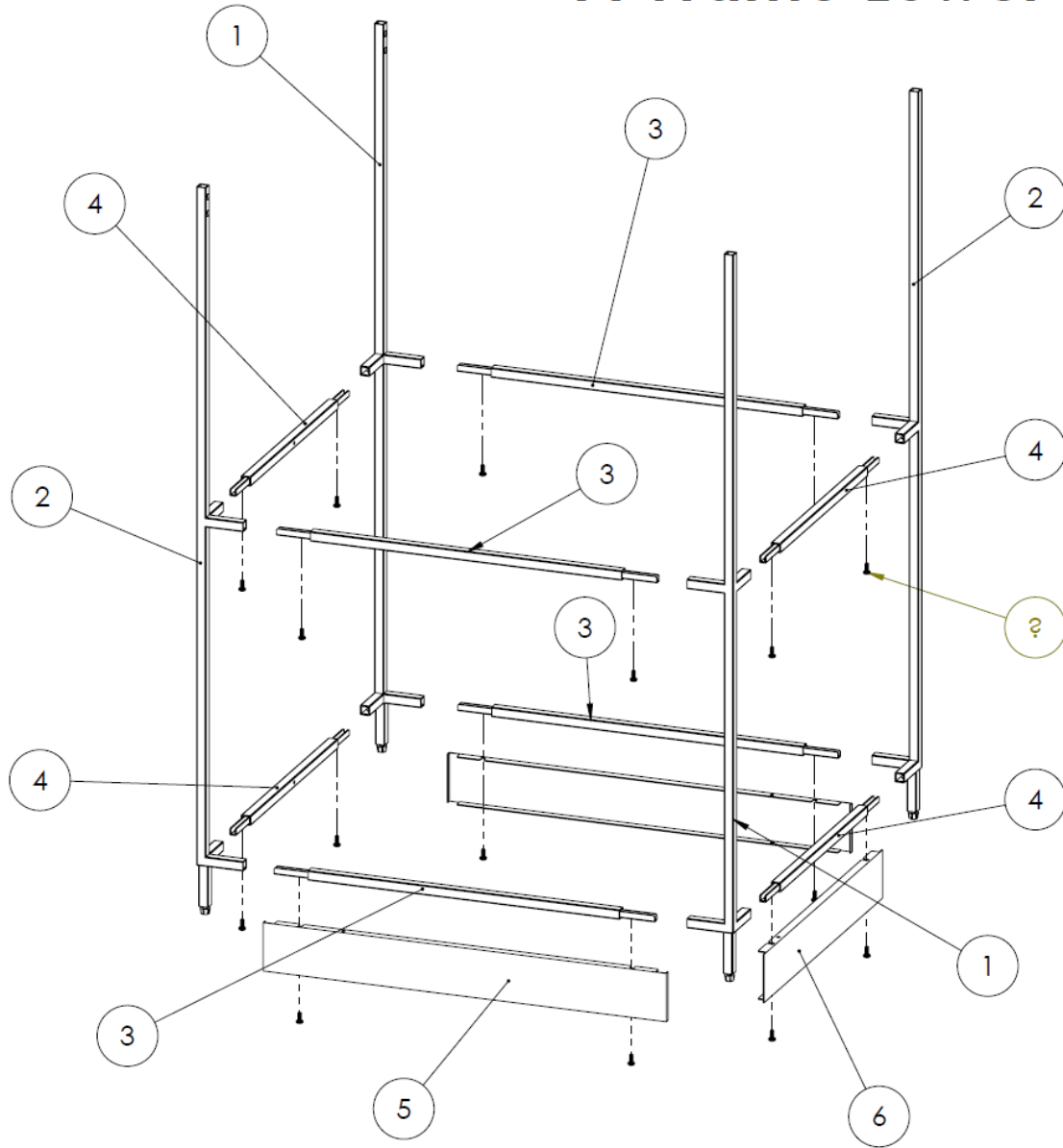
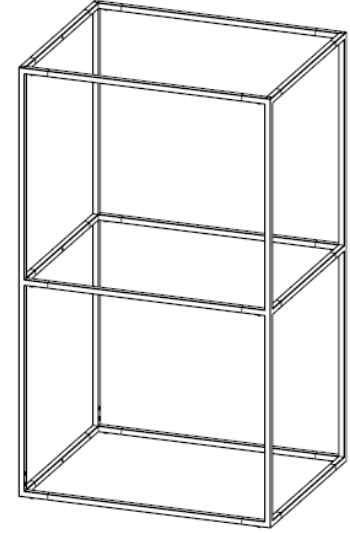
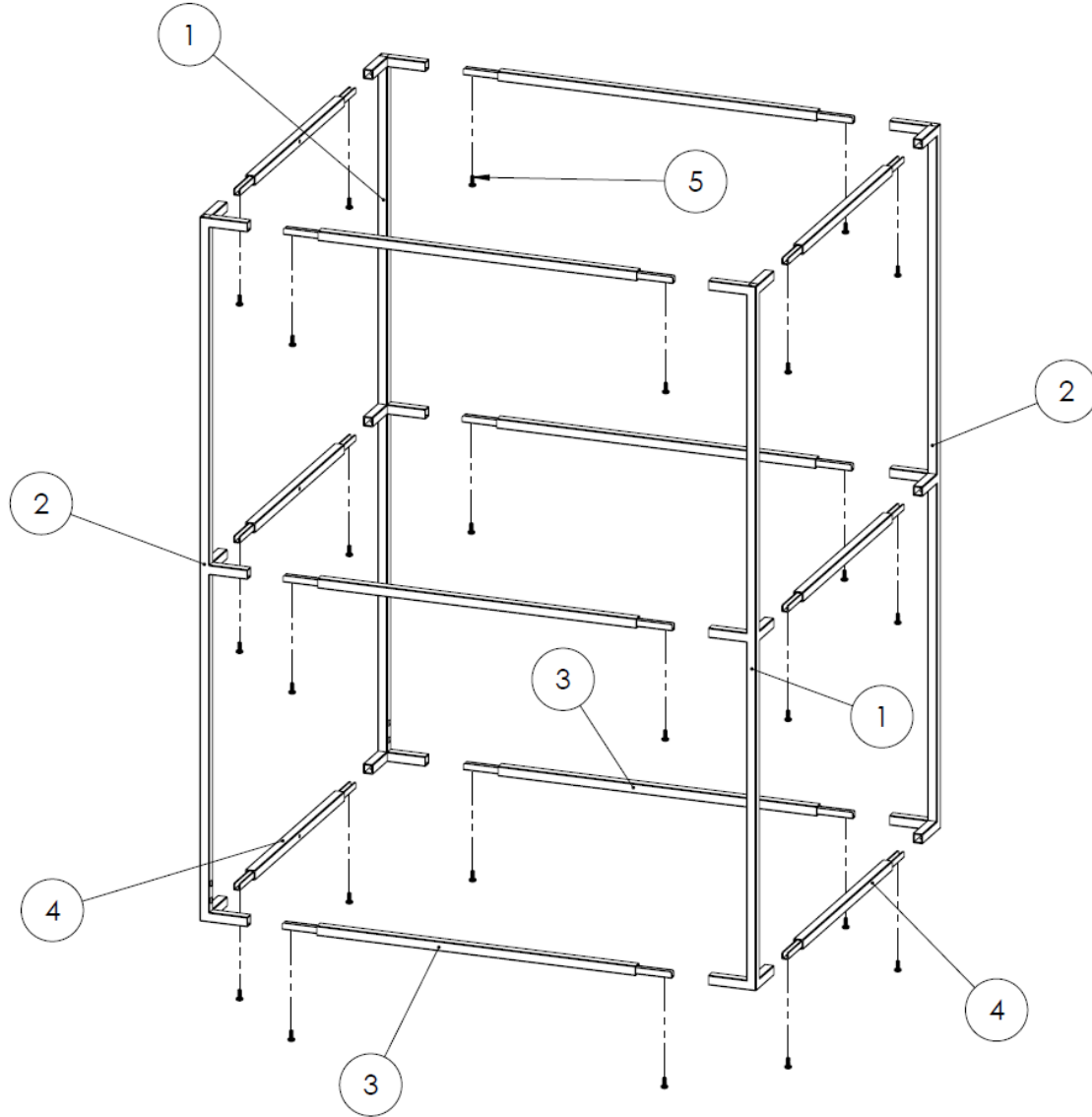


A-Frame Lower Section



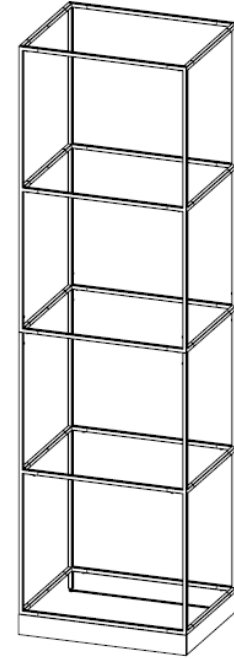
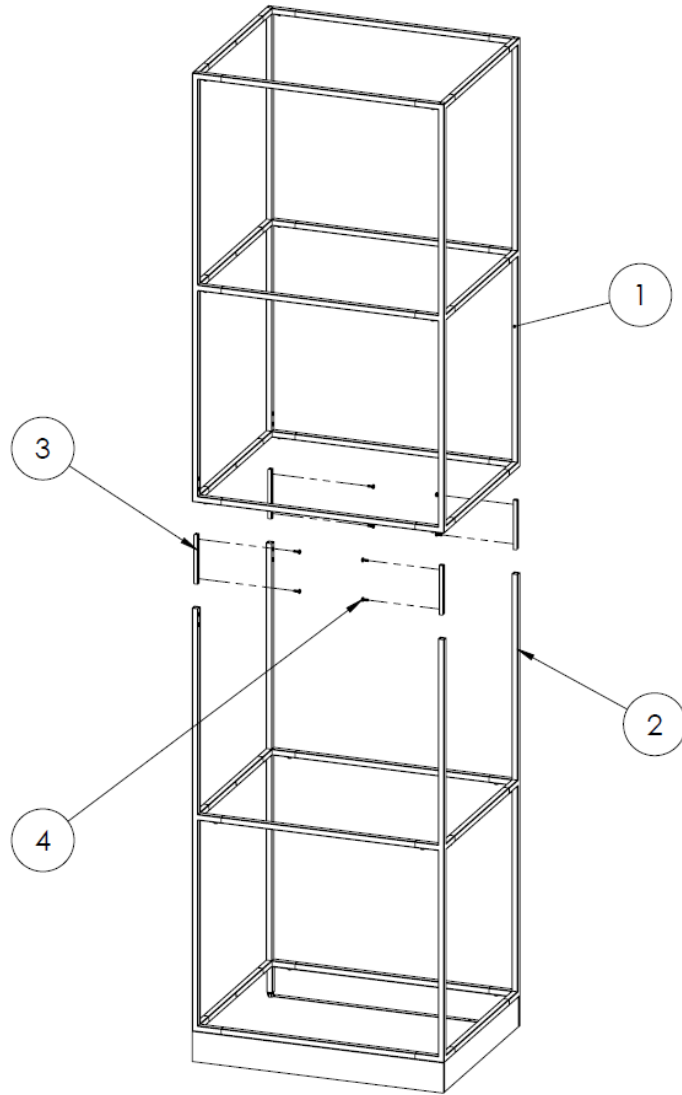
ITEM NO.	PART NUMBER	DESCRIPTION	QTY.
1	KD-A-D12		2
2	KD-A-D11		2
3	KD-C		4
4	KD-E		4
5	KD-G		2
6	KD-H		1
7	92000A220	Pan Head Phillips Screws	16

A-Frame Upper Section



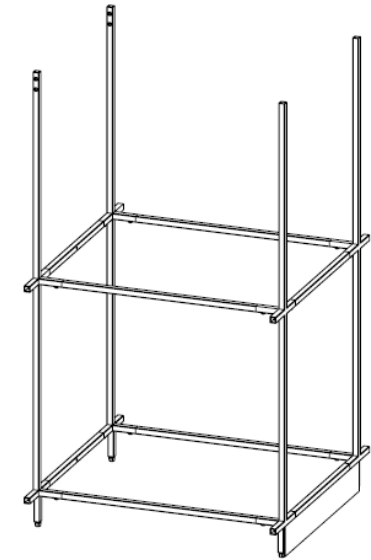
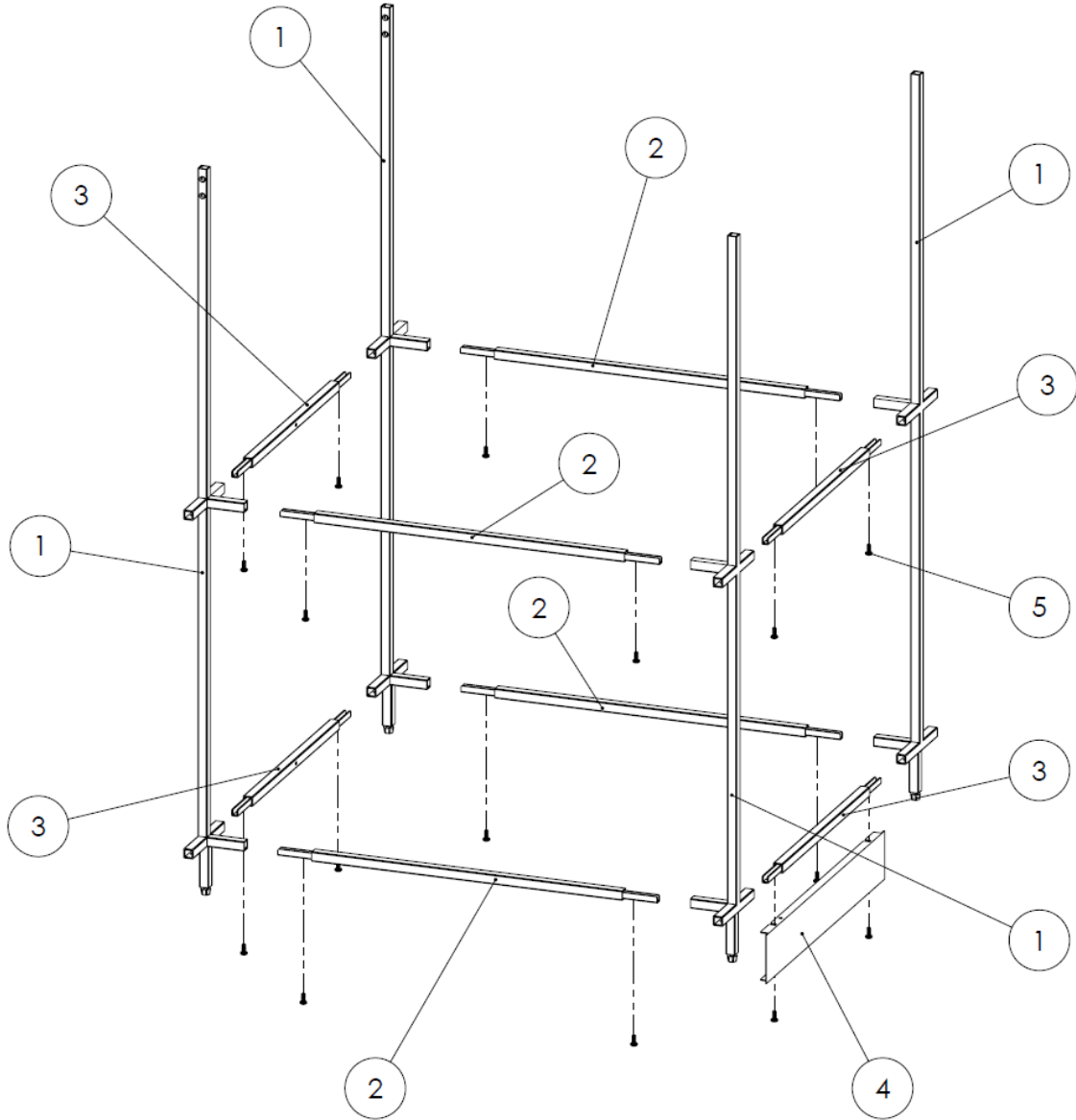
ITEM NO.	PART NUMBER	DESCRIPTION	QTY.
1	KD-A-U12		2
2	KD-A-U11		2
3	KD-C		6
4	KD-E		6
5	92000A220	Pan Head Phillips Screws	24

A-Frame Assembly



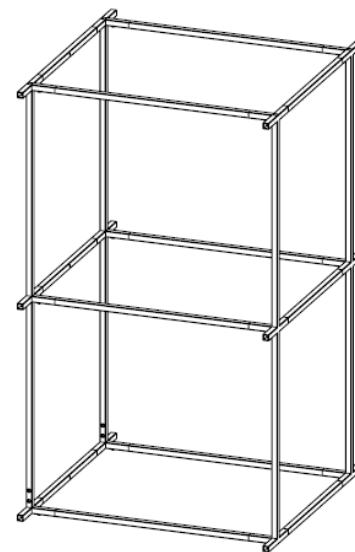
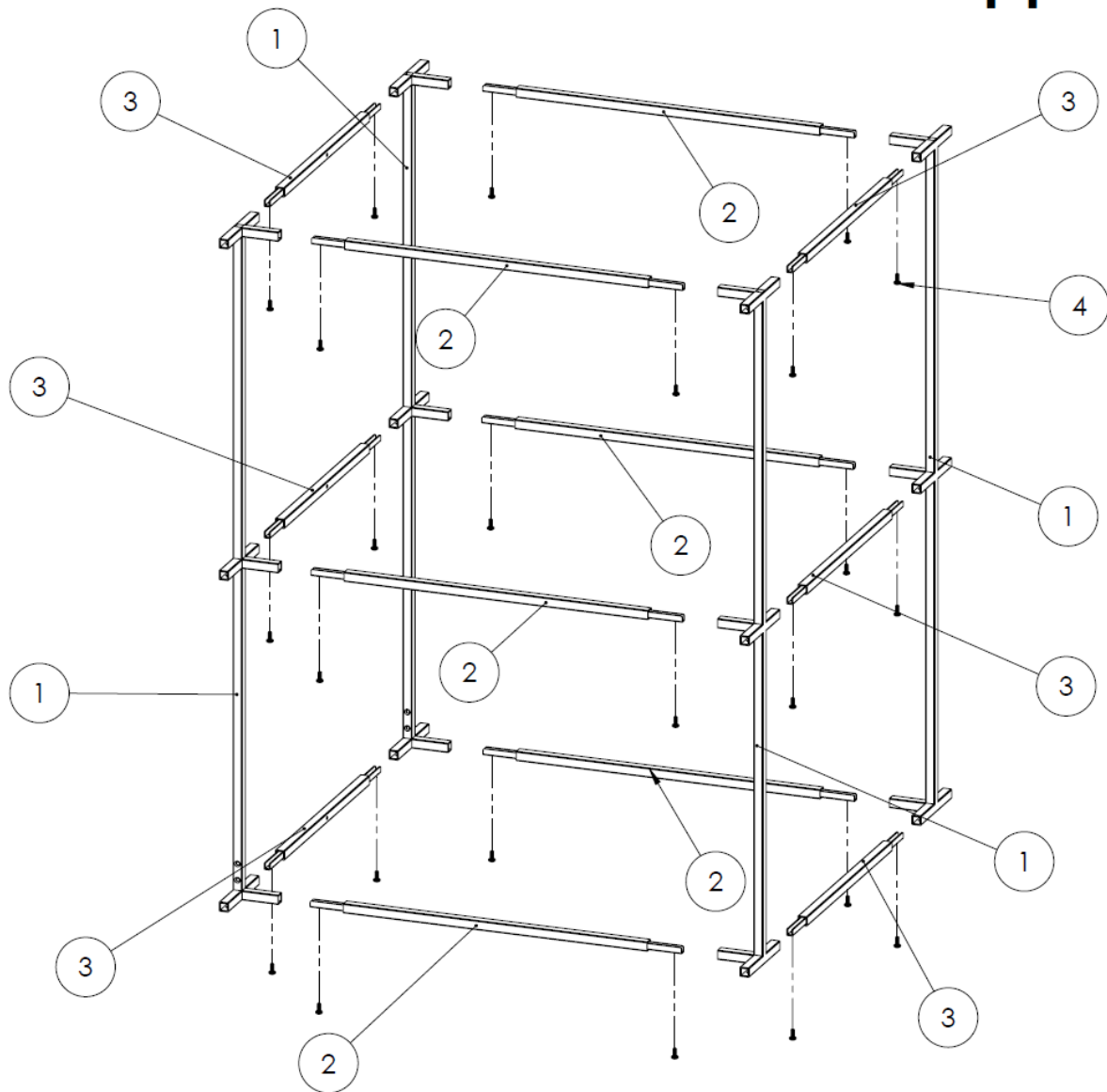
ITEM NO.	PART NUMBER	DESCRIPTION	QTY.
1	A-Frame Upper Section		1
2	A_Frame_Lower_Section		1
3	KD-F		4
4	92000A220	Pan Head Phillips Screws	8

B-Frame Lower Section



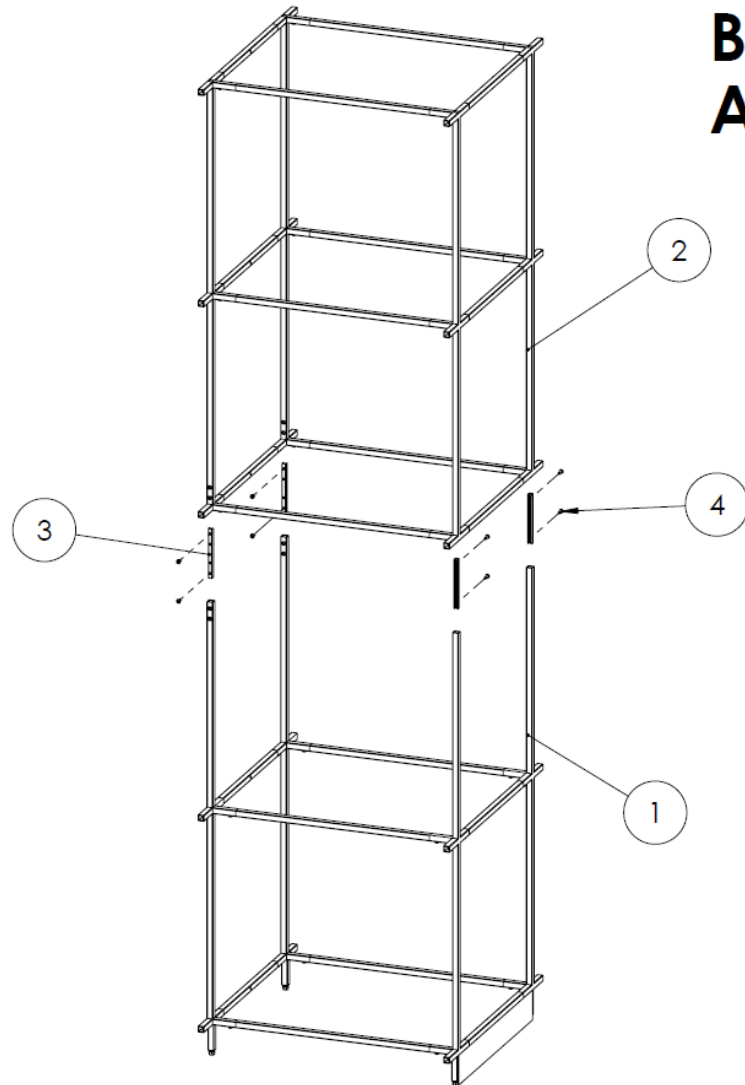
ITEM NO.	PART NUMBER	DESCRIPTION	QTY.
1	KD-B-D13		4
2	KD-C		4
3	KD-E		4
4	KD-H		1
5	92000A220	Pan Head Phillips Screws	16

B-Frame Upper Section



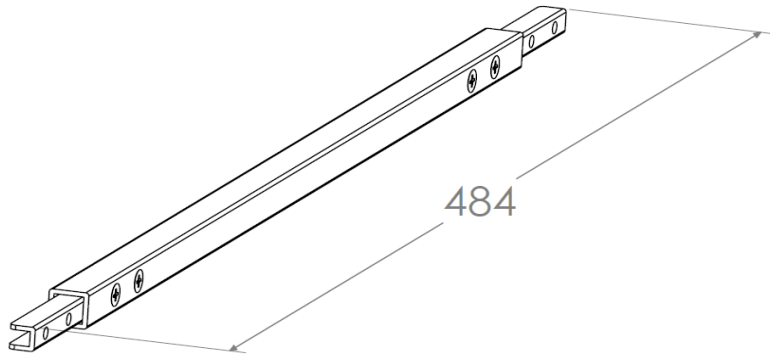
ITEM NO.	PART NUMBER	DESCRIPTION	QTY.
1	KD-B-U13 Assembly		4
2	KD-C		6
3	KD-E		6
4	92000A220	Pan Head Phillips Screws	24

B-Frame Assembly

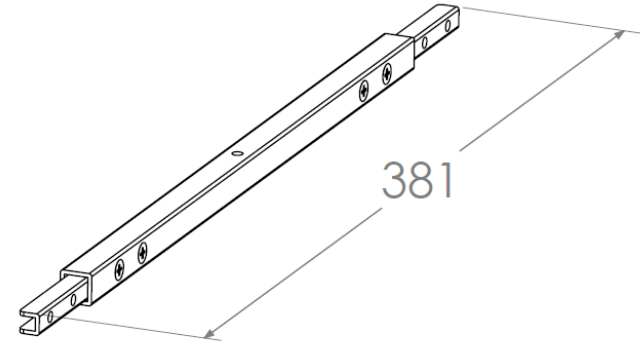


ITEM NO.	PART NUMBER	DESCRIPTION	QTY.
1	B_Frame_Lower_Section		1
2	A-Frame Upper Section		1
3	KD-F		4
4	92000A220	Pan Head Phillips Screws	8

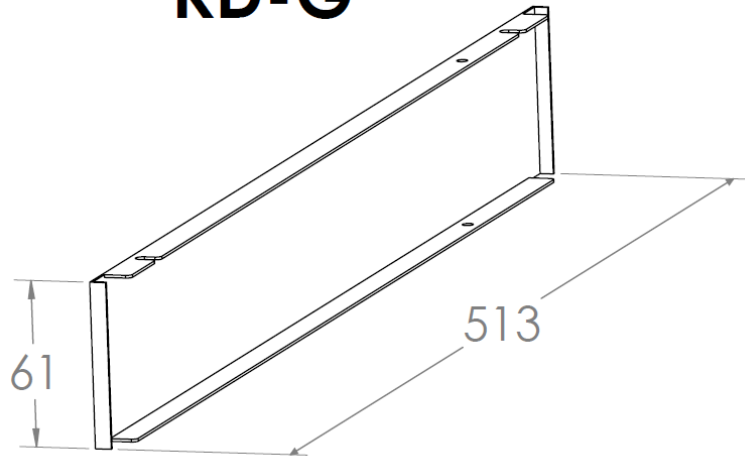
KD-C



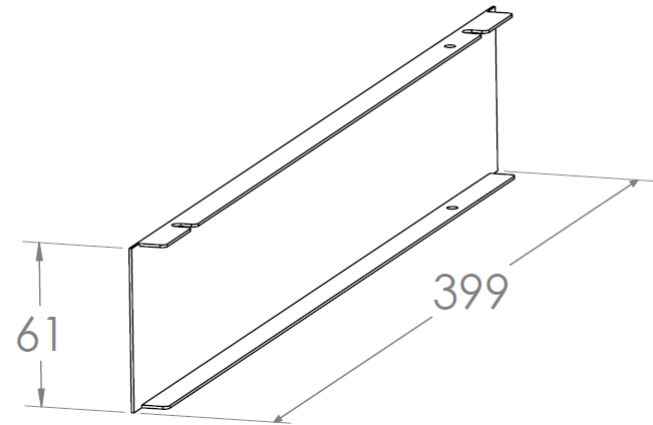
KD-E



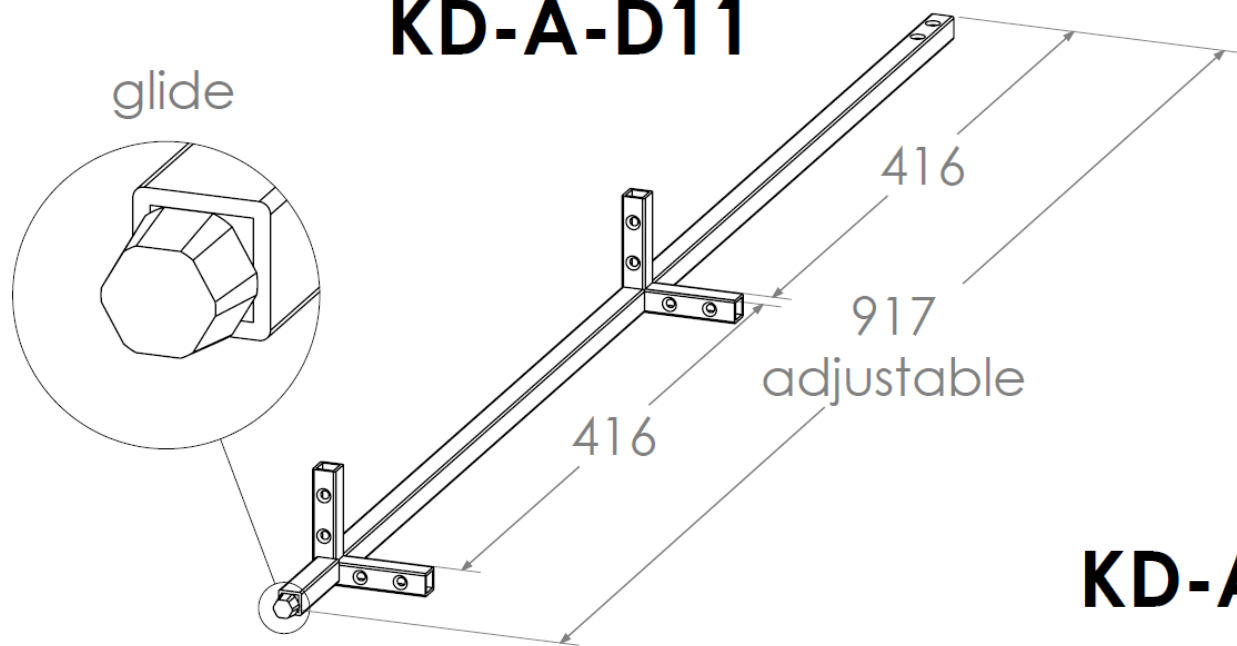
KD-G



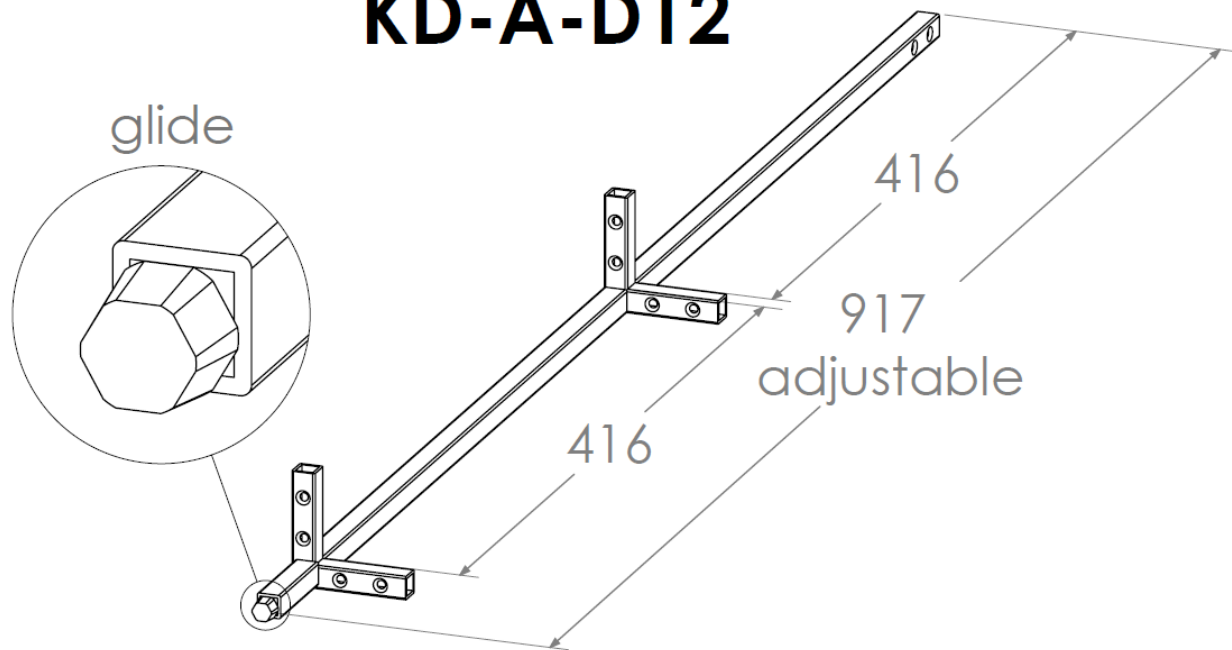
KD-H



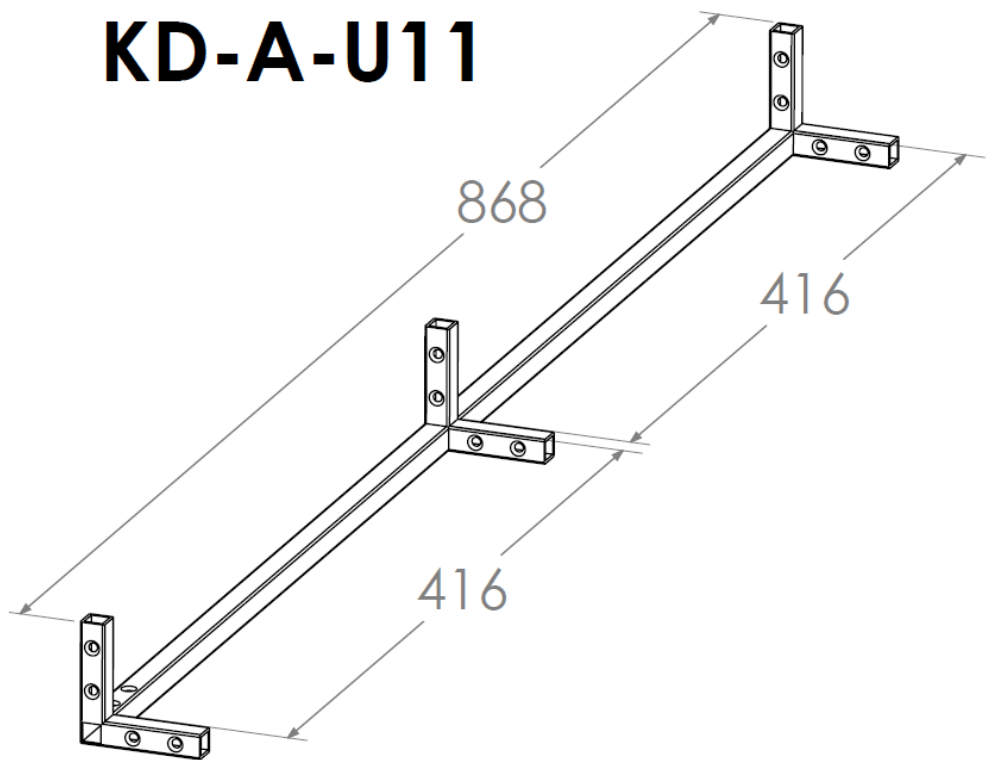
KD-A-D11



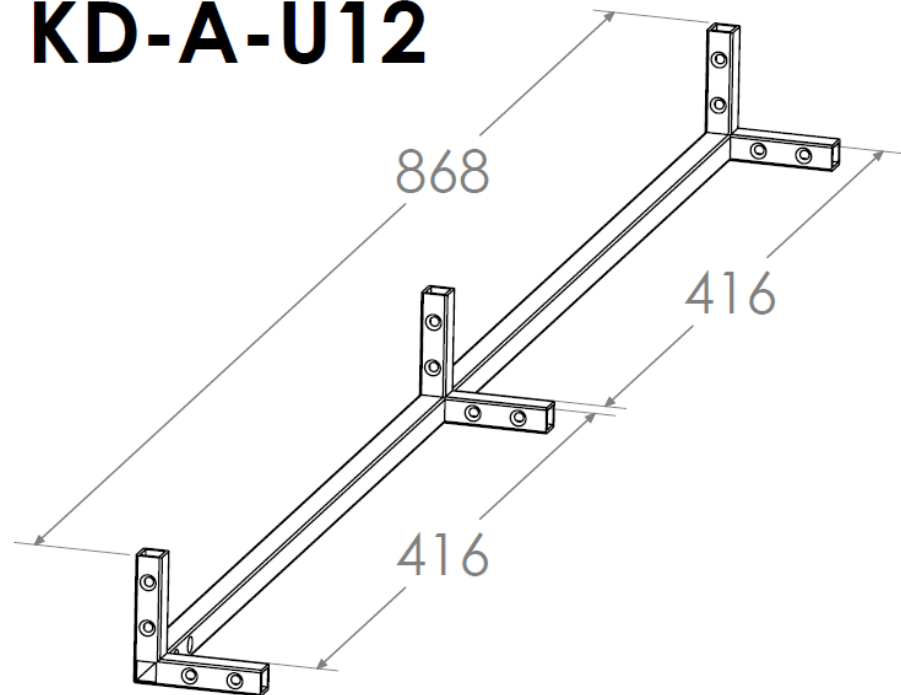
KD-A-D12



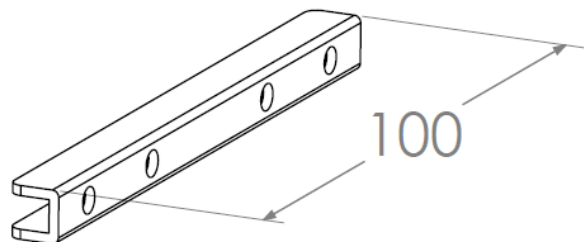
KD-A-U11



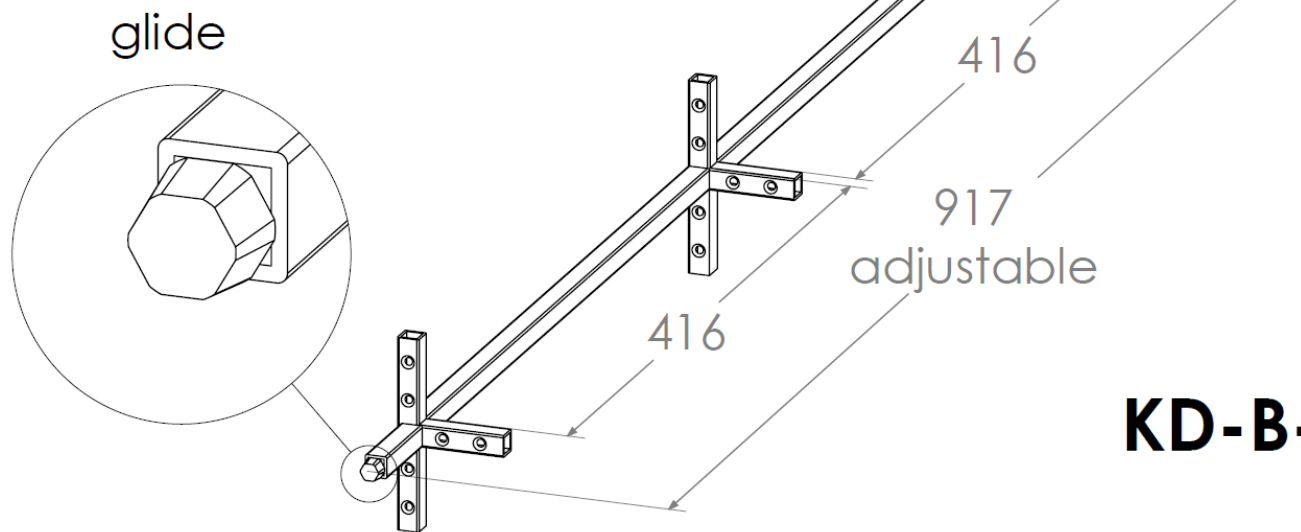
KD-A-U12



KD-F



KD-B-D13



KD-B-U13

