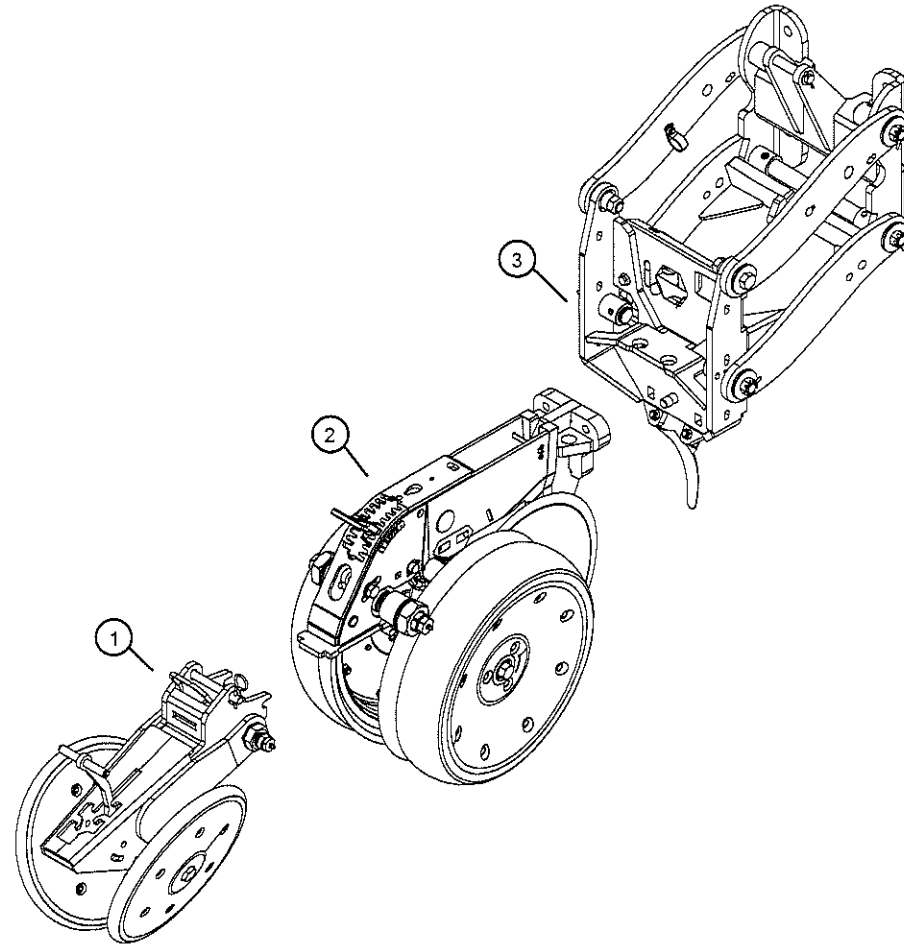


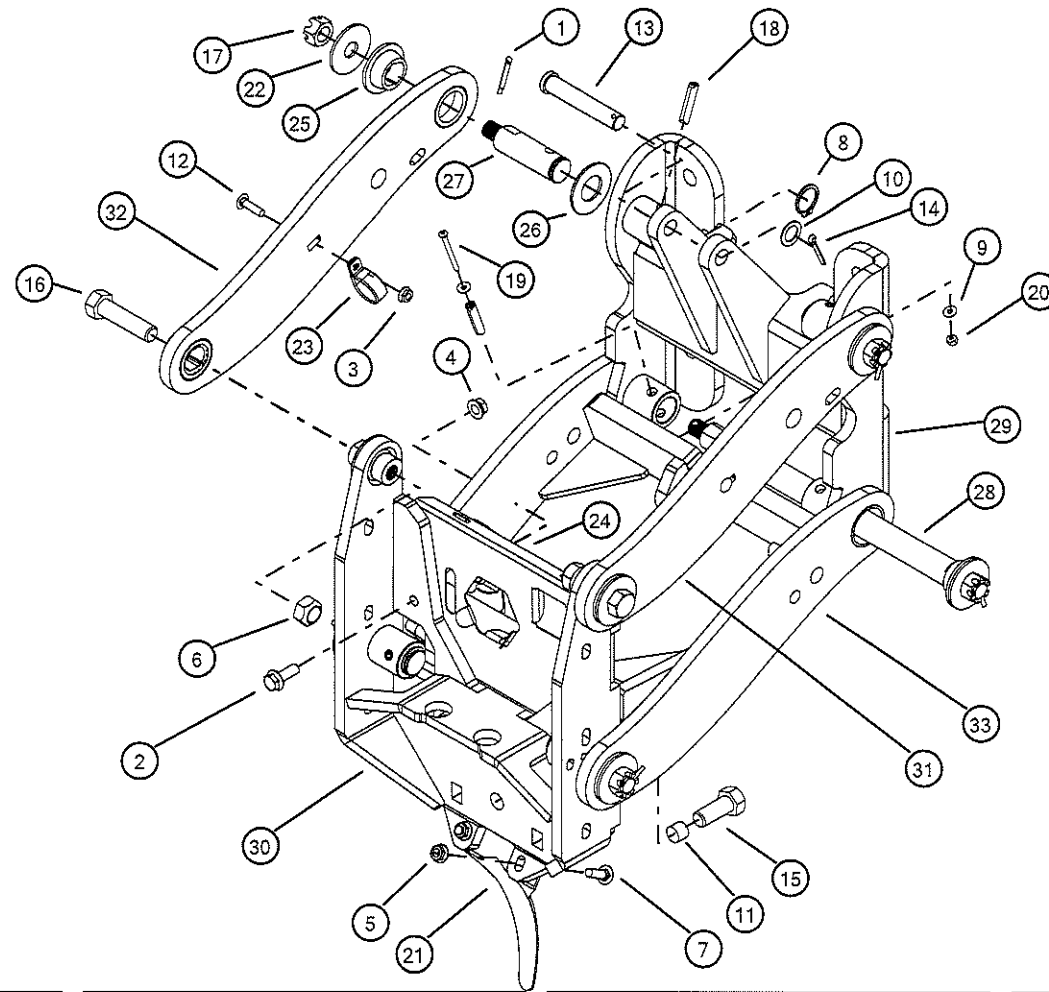
TB95130



#	P/N	Description	Qty
1	TB95016	CLOSING WHEEL ASM, QUICK RELEASE	1
2	TB95109	SHANK & GAUGE WHEEL ASM	1

#	P/N	Description	Qty
3	TB95123	PARALLEL LINK ARM ASM	1

TB95123



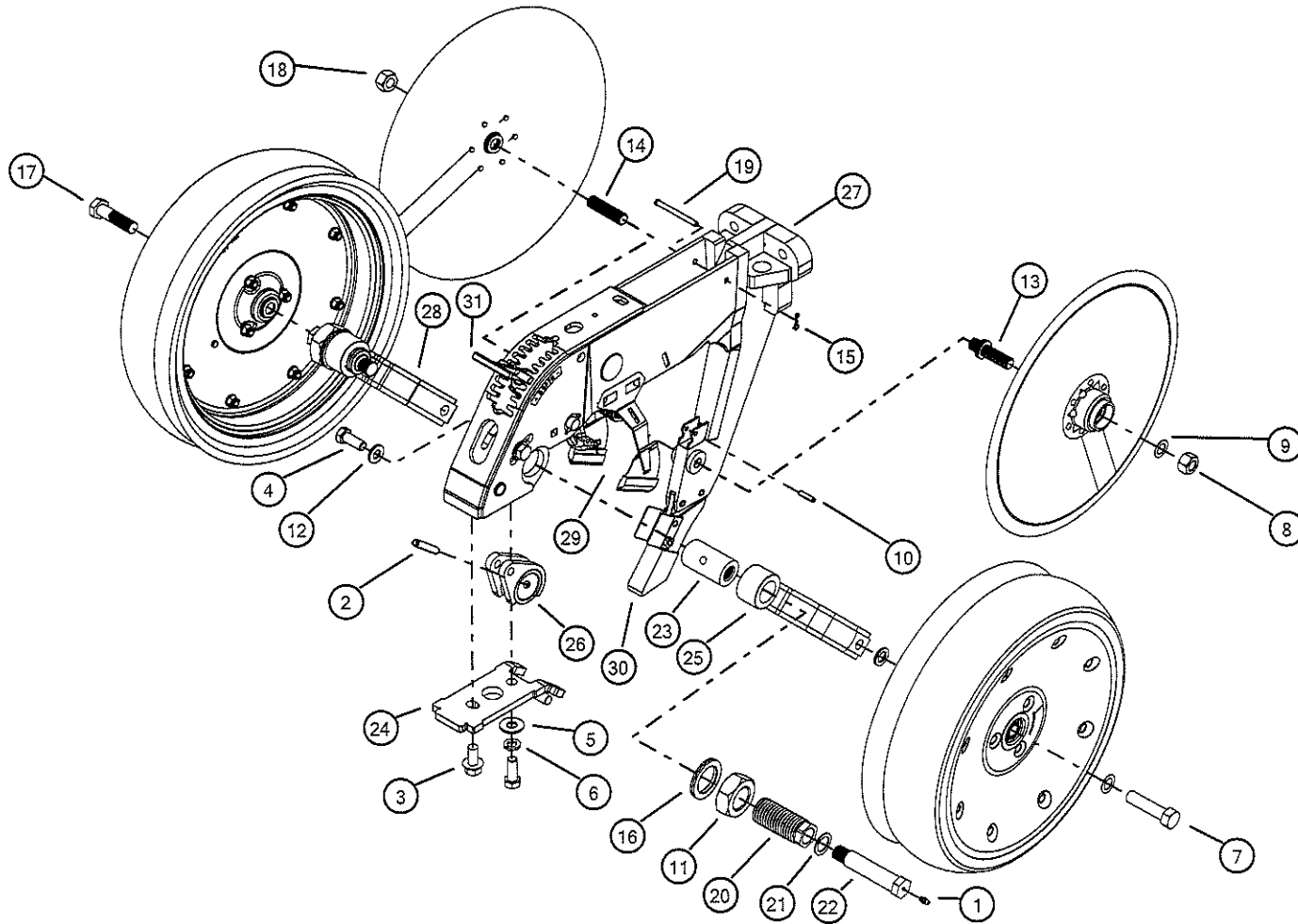
Item #	P/N	Description	Qty
1	11393	PIN, COTTER, 3/16" X 1"	6
2	40025	BOLT, 3/8-16UNC X 1" HEX FLANGE, GRD 5, ZINC	2
3	40049	NUT, 1/4-20UNC, HEX FLANGE, GRD 5, ZINC	2
4	40056	NUT, 3/8-16UNC, HEX FLANGE, GRD 5, ZINC	2
5	40059	NUT, 5/16-18UNC, HEX FLANGE, GRD 5, ZINC	2
6	40062	NUT, 5/8-11UNC, HEX, TOPLOCK, ZINC	2
7	40067	BOLT, 5/16-18UNC X 1", CARRIAGE, GRD 5, ZINC	2
8	40234	SNAP RING, 1", HD, EXTERNAL, ZINC	4
9	40288	WASHER, FLAT, #8, ZINC	2

Item #	P/N	Description	Qty
10	40404	WASHER, 5/8" SHIM, 1" OD, ZINC	1
11	40422	LOCTITE, RED, 263, THREAD LOCKER	3
12	40429	BOLT, 1/4-20 X 1", CARRIAGE, GRD 5, ZINC	2
13	40462	PIN, CLEVIS, 5/8" X 3-1/2", 3-1/4" USABLE, ZINC	1
14	40468	PIN, COTTER, 5/32 X 1-1/4", STEEL, ZINC	1
15	40481	BOLT, 5/8-11UNC X 1-1/2, FT, GRD 8, ZINC	3
16	40482	BOLT, 5/8-11UNC X 2-1/2, FT, HEX, GRD 8, ZINC	2
17	40483	NUT, 5/8-18UNF, HEX SLOTTED, GRD 5, ZINC	6
18	40484	PIN, COIL SPRING, 3/8 X 1-1/2, HD, ZINC	5

Item #	P/N	Description	Qty
19	40505	SCREW, #8-32UNC X 2", PHILLIPS, ZINC	1
20	40506	NYLON INSERT LOCKNUT, 10-32 UNF, ZINC	1
21	80022	DEFLECTOR, DOUBLE DISC OPENER	1
22	80031	WASHER, RETAIN, LINK ARMS	8
23	80141	P-CLAMP, 1" ID	2
24	80147	DEFLECTOR, LASERPRO 1	1
25	80314	BEARING, TAPERED, LINK ARM, TOP REAR	8
26	80315	WASHER, SPACER, LINK ARM, UPPER REAR	8
27	80324	SPINDLE, PARALLEL LINK ARM PIVOT, LP1	4

Item #	P/N	Description	Qty
28	80325	SHAFT, PARALLEL LINK ARM PIVOT, LP1	1
29	95121	X-PLATE ASM, LASERPRO 1	1
30	95122	GOALPOST ASSY, LASERPRO 1 SNO972 & NEWER	1
31	95126	PARALLEL ARM ASM, RIGHT, UPPER, LASERPRO1	1
32	95127	PARALLEL ARM ASM, LEFT, UPPER, LASERPRO1	1
33	95128	PARALLEL ARM ASM, LOWER, LASERPRO1	1

TB95109



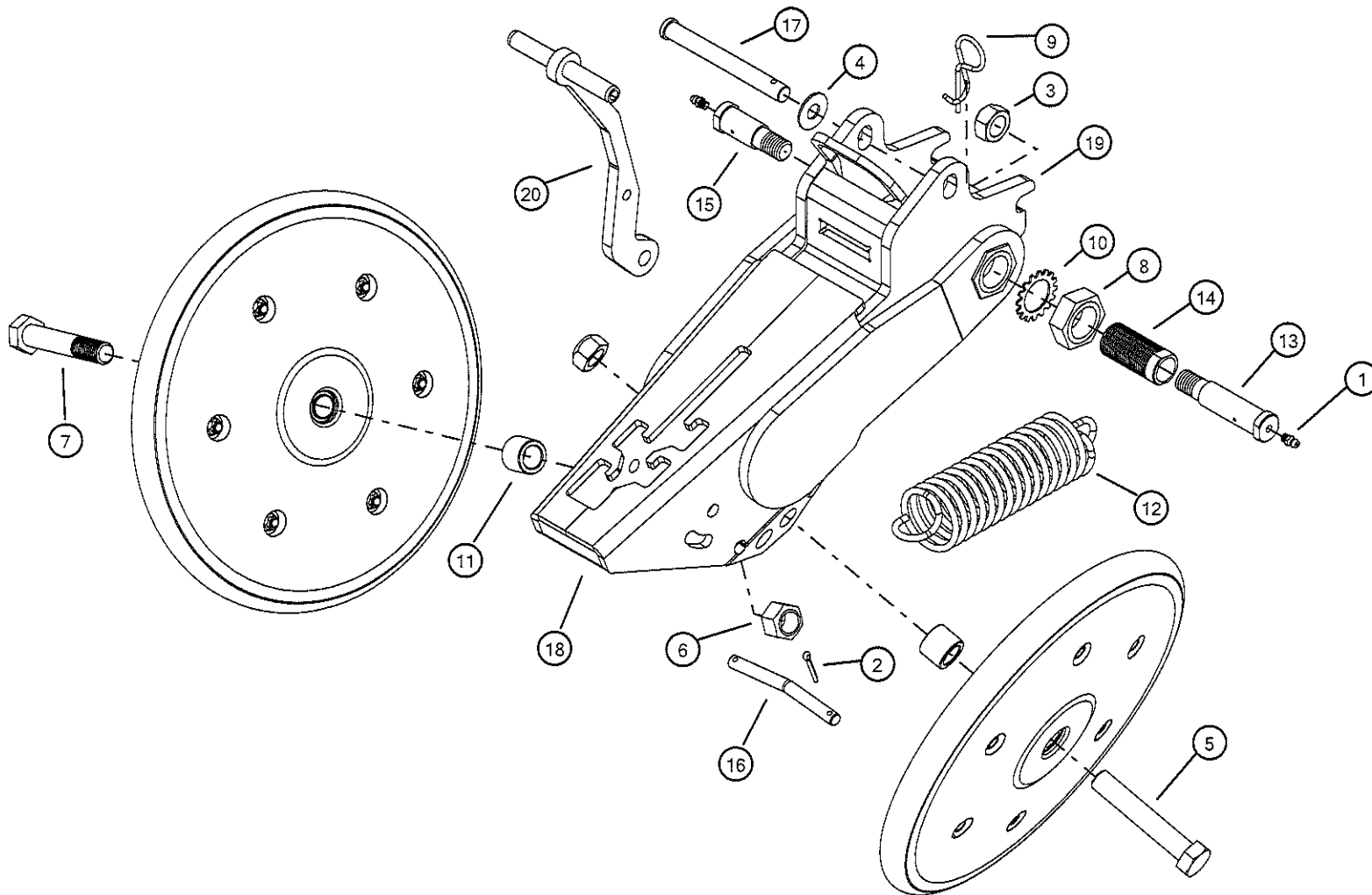
#	P/N	Description	Qty
1	10245	ZERK GREASE, 1/4-28UNF, STRAIGHT	2
2	10383	PIN, ROLL, 3/8" X 2" ZINC	1
3	40001	BOLT, 5/8-11UNC X 2", HEX FLANGE, GRD 5, ZINC	1
4	40005	BOLT, 1/2-13UNC X 1-1/4" HEX, GRD 5, ZINC	3
5	40066	WASHER, FLAT, 1/2", ZINC	1
6	40072	WASHER, LOCK, 1/2", SPLIT, ZINC	1
7	40084	BOLT, 5/8-11UNC X 2-1/2" GRD 8, HEX, ZINC	1
8	40287	NUT, 5/8-11UNC, HEX, GRD 5, ZINC	1

#	P/N	Description	Qty
9	40404	WASHER, 5/8" SHIM, 1" OD, ZINC	20
10	40411	PIN, 1/4 X 1 SLOTTED SPRING, ZINC	1
11	40421	NUT, 1-3/8-6UNC HEX JAM, ZINC	2
12	40460	WASHER, NORD-LOCK, 1/2" X 1" OD, 2 PC, ZINC	2
13	40485	STUD, 5/8-11UNC X 2-1/2, RH, ZINC	1
14	40466	STUD, 5/8-11UNC X 2-1/2" LEFT HAND, GRD 8, ZINC	1
15	40469	PIN, BOW TIE COTTER	1
16	40472	WASHER, NORD-LOCK, 1-3/8" ID	2

#	P/N	Description	Qty
17	40474	BOLT, 5/8-11UNC X 2-1/2", LH, HEX, GRD 8, ZINC	1
18	40476	NUT, 5/8-11UNC, HEX, LEFT HAND, GRD 8, ZINC	1
19	80088	PIN, SEED TUBE, RETAIN	1
20	80124	BUSHING, THREADED, GAUGE WHEEL ADJ	2
21	80128	WASHER, GAUGE WHEEL RETAIN	2
22	80129	BOLT, GAUGE WHEEL PIVOT	2
23	80133	SHAFT, GAUGE WHEEL MOUNT	1
24	95021	MNT BASE, CLOSING WHEEL, QUICK TACH	1

#	P/N	Description	Qty
25	95034J	GAUGE WHEEL ARM, RIGHT	1
26	95035	ARM PIVOT ADJ ASSY	1
27	95109	SHANK ASSY, COARSE THREAD	1
28	95111	GAUGE WHEEL ARM, LEFT	1
29	TB95013	SCRAPER ASM	1
30	TB95024A	FROG ASM	1
31	TB95032	DEPTH CONTROL ARM ASM	1

TB95016



Item #	P/N	Description	Qty
1	10245	ZERK, GREASE, 1/4-28UNF, STRAIGHT	2
2	10975	PIN, COTTER, 1/8 X 1", ZINC	2
3	40052	NUT, 5/8-11UNC, HEX, TOPLOCK, ZINC	3
4	40071	WASHER, FLAT, 7/16" ZINC	1
5	40106	BOLT, 5/8-11UNC X 3-1/2" HEX, GRD 5, ZINC	1
6	40397	NUT, 5/8-11UNC, LEFT HAND, HEX TOPLOCK, ZINC	1
7	40398	BOLT, 5/8-11UNC X 3-1/2", LEFT HAND, HEX, GR 5, ZINC	1

Item #	P/N	Description	Qty
8	40400	NUT, 1-14UNF, HEX JAM, ZINC	1
9	40425	PIN CLIP, KWIC-TWIST, CLOSING WHEEL PIN RETAIN	1
10	40512	WASHER, LOCK, EXT TOOTH, 1", ZINC	1
11	80043	BUSHING, SPACER, CLOSING WHEEL	2
12	80044	SPRING, CLOSING WHEEL TENSION	1
13	80045	PIVOT BOLT, LONG	1
14	80046	BUSHING THREADED, CLOSING WHEEL ADJUSTER	1

Item #	P/N	Description	Qty
15	80049	PIVOT BOLT, SHORT	1
16	80059	PIN, CLOSING WHEEL HANDLE RETAIN	1
17	80306	PIN, CLEVIS, QUICK RELEASE RETAIN	1
18	95014A	ARM ASM, CLOSING WHEEL, HD	1
19	95015A	BASE, CLOSING WHEEL, QUICK TACH	1
20	95123	HANDLE ASM, CLOSING WHEEL	1