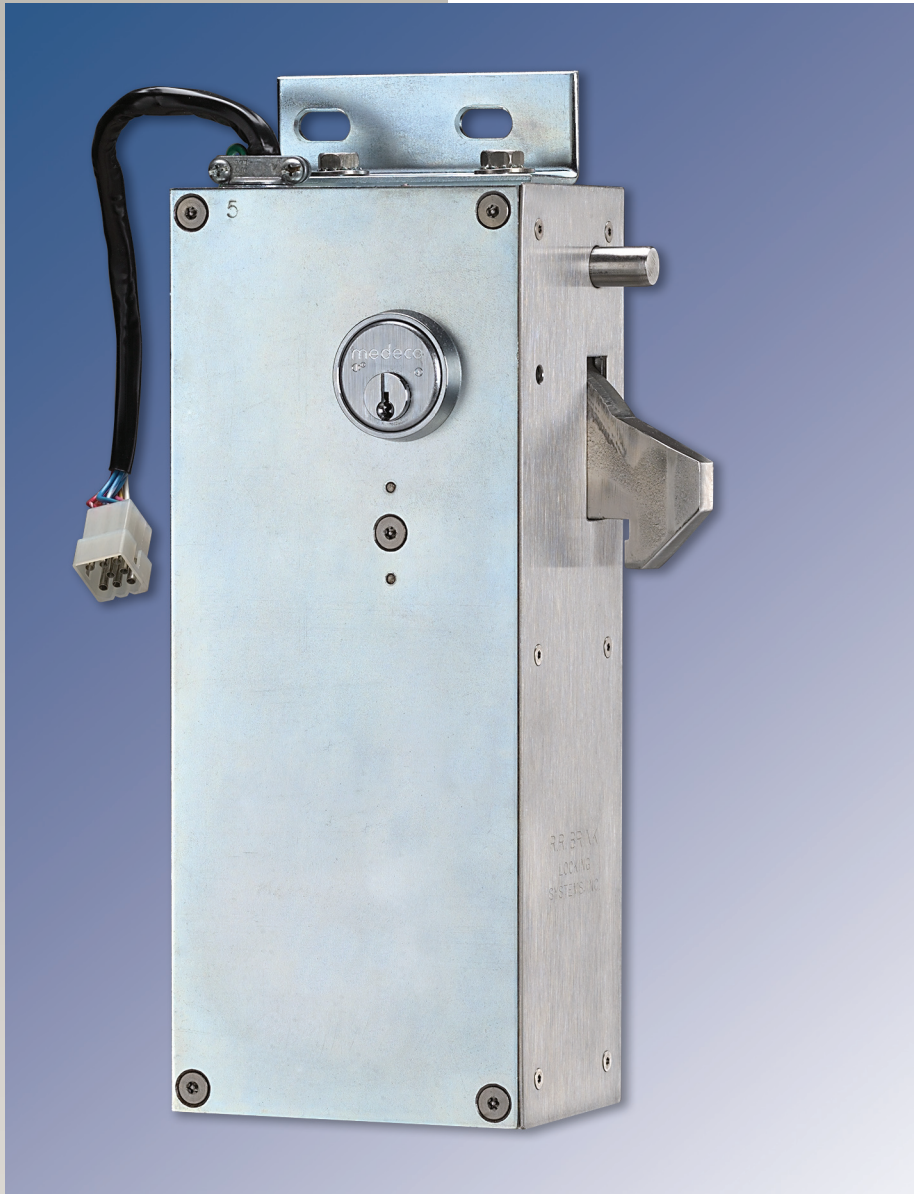


5520

Electromechanical Automatic Deadlocking Latch for Sliding Doors



Application

- The 5520 is a frame mounted, electrically actuated automatic deadlocking latch for unlocking sliding doors. In detention facilities, its use should be restricted to medium security housing for both new construction and for retrofitting existing inmate cells where remotely controlled unlocking is a life safety requirement. Also, the 5520 is appropriate for securing sliding doors in commercial and governmental buildings.
- The standard 5520 (designation 5520M) is actuated by a 120VAC motor (a 24VDC motor and 120VAC solenoid are optional – designations 5520-M24 and 5520S, respectively). Motor operation is quiet and produces higher torque force than the solenoid, which features fast action.
- The standard operating function for both motor and solenoid actuated models is “Momentary Contact Latch Holdback – Electrical” (MCLH-E) (*For other available functions, see catalog page “Function Guide for Motorized Locks”, item 3 under “General Comments”.*) The MCLH-E function utilizes a momentary contact control panel switch that, when actuated, causes the 5520 to unlock electrically and remain unlocked until the door is moved ajar. It is recommended that the standard MCLH-E function be used only in locations where surreptitious deadlocking of the hook bolt by wedging of the deadlock pin to a depressed position is not a concern. Otherwise, lock damage might result by slamming a door against an immovable (i.e. deadlocked) hook bolt. Where such abuse is anticipated, the optional “Maintained Switch Latch Holdback” (MSLH) motor function is recommended. With the MSLH function, the 5520 hook bolt is actuated by a maintained contact control panel switch to the raised unlocked position where it will remain (without power if motor operated) until it is switched to the lock mode. This MSLH function precludes inflicting intentional damage to the lock mechanism by slamming the door against the hook bolt when the latter has been deadlocked via stealth.
- Manual key unlocking is by a commercial mortise key cylinder supplied by either the end-user or the factory or an RRBSL Mogul prison pin tumbler cylinder.



R.R. BRINK LOCKING SYSTEMS, INC.
500 Earl Road • Shorewood, IL 60404
Tel: 815-744-7000 • Fax: 815-744-7020
www.rrbrink.com
Email: rbrink@rrbrink.com



The 5520 can be custom mounted in combination with our No. 57100 track, hanger, and bottom guide set to provide remotely controlled unlocking of existing sliding door installations.

Standard Features

- Mounting angles for frame attachment.
- Electric operation by motor (24VDC or 120VAC) or 120VAC solenoid.
- Lock case made of 11 gauge steel, electroplated for corrosion resistance.
- Latch of investment cast of stainless steel.
- Cast stainless steel strike plate.
- Working parts of stainless steel.
- Momentary Switch Latch Holdback - Electric (MCLH-E) or Maintained Switch Latch Holdback (MSLH) functions (see "Function Guide for Motorized Locks" catalog page).
- Lock status switch (LSS) trips when the latch is in a deadlocked condition. Used in a signal circuit to indicate lock status – unlocked or deadlocked – via control panel lights and/or alarm devices. The LSS is also used to control an electrical interlock, which permits only one of a group of doors to be unlocked electrically at any time. Note: For positive, tamper resistant signaling of a closed and deadlocked door, a sensitive door position (DPS) switch must be wired in combination with the LSS.
- Fitted for mechanical operation via either RRBLs proprietary "Mogul" or user's commercial key cylinder. (Factory supplied commercial key cylinder optional.)
- Available cylinder and faceplate finishes – Satin Brass (ANSI 606, US4) or Chrome (ANSI 626, US26D)
- Plug connectors are provided for ease of field wiring and lock removal.
- Exposed fasteners – pinned "Torx" head

Electrical Data

- Motor – 24VDC, 1.0 amp or 120VAC, 3 amp
- Solenoid – 120VAC, 10amp inrush, 1.2 amp seated
- Lock Status Switch – 125/250VAC, 5 amp, SPDT (Form C)

Optional Features

- FKC – Factory supplied high security commercial key cylinder with collar – two change keys/cylinder
- MOG – Supplied with RRBLs Mogul proprietary 2" diameter 6-pin cylinder. UL listed locking cylinder (UL-437). Keys are ordered separately.
- MCS – Motor control switch allows 5520 to be used in combination with a power door operator where an unlocking and door moving delay sequence is mandatory.

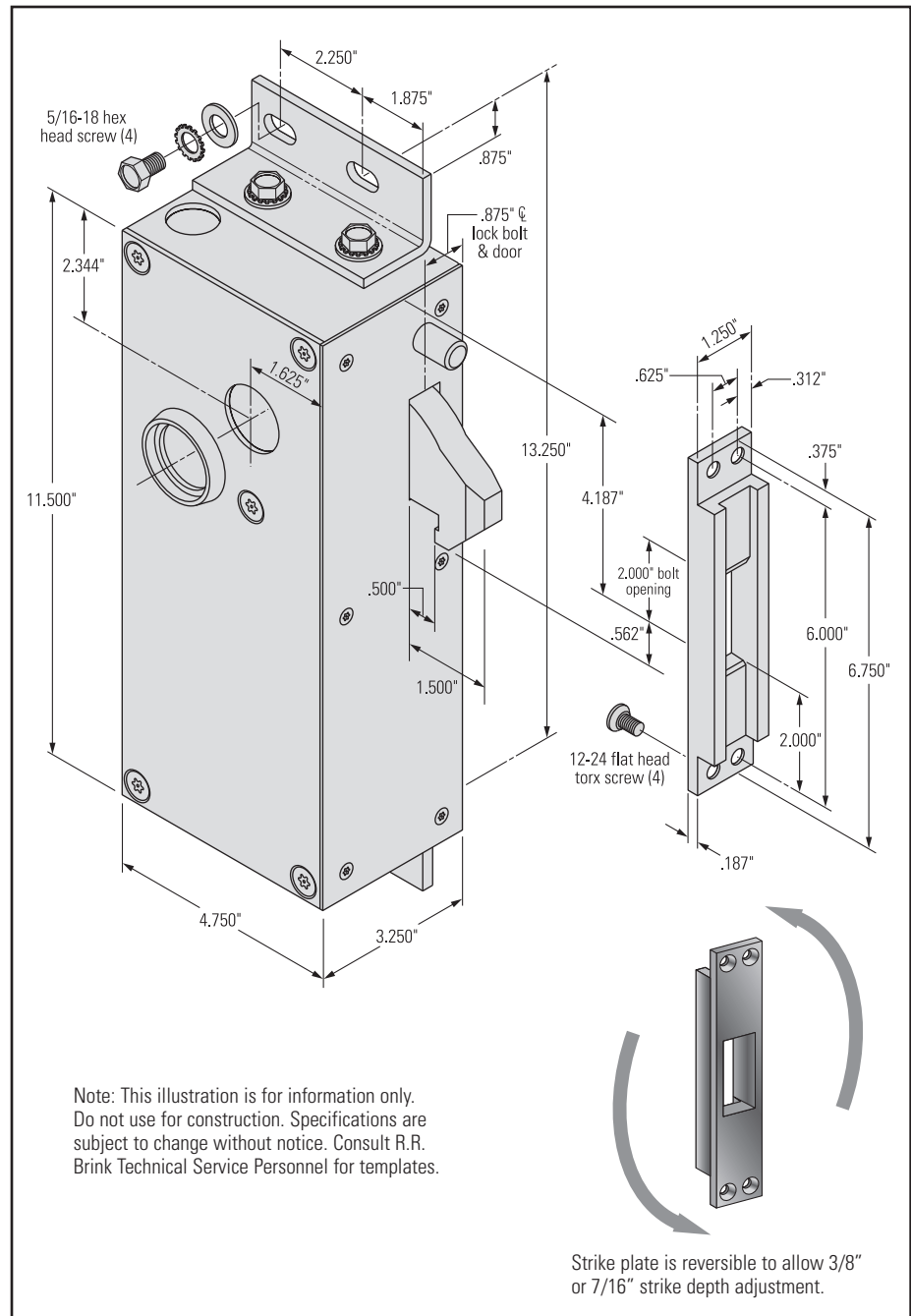


R.R. BRINK LOCKING SYSTEMS, INC.

500 Earl Road • Shorewood, IL 60404
Tel: 815-744-7000 • Fax: 815-744-7020
www.rrbrink.com
Email: rbrink@rrbrink.com

5520

Electromechanical Automatic Deadlocking Latch for Sliding Doors



Ordering Information – 5520 Series

Model	Description	Keying
5522M	Motor power (120VAC)	Keyed door front side only
5526M	Motor power (120VAC)	Keyed both sides
5522-M24	Motor power (24VDC)	Keyed door front side only
5526-M24	Motor power (24VDC)	Keyed both sides
5522S	Solenoid power (120VAC)	Keyed door front side only
5526S	Solenoid power (120VAC)	Keyed both sides

Consult with our technical service personnel regarding custom applications such as retrofits to existing lock installations and special mounting situations.