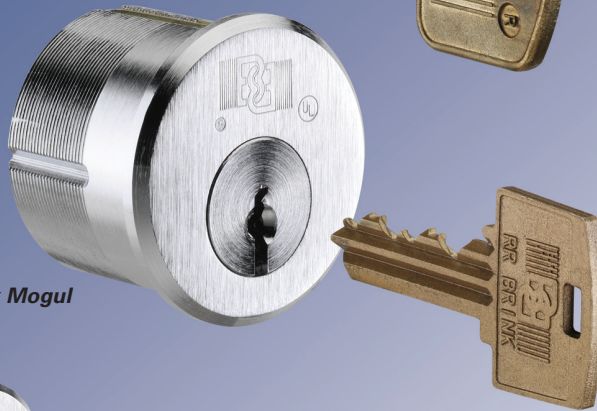


Key Cylinders

High Security Cylinders



R.R. Brink Lever-Tumbler



R.R. Brink Mogul



ASSA®



MEDECO®

All keys shown must be ordered separately

internal parts (i.e. pins, springs, balls, and cylinder plug) as well as the external cylinder body or housing. (The diameter of the "Mogul" is 2" and the standard cylinder is 1-5/32".) Compared to a standard mortise cylinder, the "Mogul" parts offer proportionately larger wear surfaces and a longer life cycle. Also, the larger cross sectional area of the "Mogul" keyway facilitates the removal of debris commonly inserted by inmates to impede key operation. Second, the dimensions of the "Mogul" key are roughly twice that of a standard mortise cylinder key. This key size reduces the chance of breakage under forced turning (e.g. against a bind) and affords increased torque to ease the unlocking of heavy prison lock mechanisms. Also, the "Mogul" key size lends itself to easy insertion into the cylinder keyway.

For detention facility applications when it is desired to master key both commercial and detention grade locks on one system, we recommend specification of a "high security" brand of mortise cylinder which affords pick resistance and key blank control. RRBS is an authorized OEM dealer for both ASSA® and MEDECO® high security cylinders. Unless otherwise specified, we provide either the standard mortise ASSA® or MEDECO® brand with our factory key cylinder (FKC) option*. When our locks are equipped with ASSA® or MEDECO® cylinders, we can provide direct factory to user service for replacement cylinders and keys. We stock their cylinder parts and certain proprietary key blanks so that we are able, on short notice, to pin new cylinders and cut keys.

**The ASSA® and MEDECO® companies market a "Mogul" version of their standard size high security mortise cylinders. Whereas these products have the same 2" diameter body as the RRBS "Mogul" cylinder, that is where the similarity ends. All internal parts as well as the key furnished with their "Mogul" versions are identical to their standard product. Thus, the distinctive feature of the RRBS "Mogul" cylinder (i.e. all internal parts and key being larger in proportion to its 2" diameter body) cannot be ascribed to these variations of a standard product.*

Our motive in making this distinction is not to discourage the use of high security key cylinders with detention grade locks. The purpose is to point out to specifiers and end users that, with our locks, the ASSA® or MEDECO® "Mogul" cylinder offers no functional advantage over their standard size product. Therefore, we recommend use of their standard size product with the attendant cost saving.







R.R. BRINK LOCKING SYSTEMS, INC.
500 Earl Road • Shorewood, IL 60404
Tel: 815-744-7000 • Fax: 815-744-7020
www.rrbrink.com

Application

With the exception of the 7000 Series lever tumbler models, all R.R. Brink Locking Systems' locks must be fitted with a mortise, pin tumbler key cylinder for manual unlocking. Our locks can be ordered to accept either a standard builder's hardware mortise cylinder or the prison "Mogul" type, as shown above.

In correctional facilities, the RRBS "Mogul" is often the cylinder of choice for detention grade locks only. This product differs from the standard mortise cylinder* (a.k.a. builder's hardware cylinder) in two significant aspects. First, all components of the RRBS "Mogul" cylinder are approximately twice the size of the conventional mortise type. This size difference includes the

Key Cylinder Comparison

	MEDECO® Mortise Pin-Tumbler Key Cylinder*	ASSA® Mortise Pin-Tumbler Key Cylinder*	R.R. Brink Mogul Pin-Tumbler Key Cylinder*	R.R. Brink Lever-Tumbler Key Cylinder**
				
Compatible with R.R. Brink lock models	1040, 1050, 1060, 1070, 2020, 2050 3020, 3520-300, 3520-600 5020S, 5020M, 5020EUKL, 5520, 8030, 8050, 8055 9010, 9017		1020, 1030, 1040, 1050, 1060, 1070, 3020 3620-300, 3620-600 5020S, 5020M 5020EUKL, 5520 7010M, 7017M 8050, 8055, 9025	7010, 7017, 7030 7030D, 7050S, 7050M, 7060, 7060K 7070, 7080
Cylinder housing thread	1.156" x 32	1.156" x 32	2.000" x 27	N/A
Cam type	Yale	Yale	RRBLS	N/A
Standard finishes	Satin Chromium on Brass, ANSI 626, US26D Satin Brass, ANSI 606, US4			Available in silicon bronze finish only
U.L. 437 (Key Locks) listing	Yes	Yes	Yes	No
Master and grand master keying available	Yes	Yes	Yes	No
Affords most key combinations	X	X		
Affords most hand torque			X	X

Notes:

* When specifying an RRBLS supplied key cylinder, specify FKC-MEDECO, FKC-ASSA, or Mogul and all necessary keying information after the lock model number. With lever-tumbler locksets, there is no need to specify the key cylinder, since it is included.

** R.R. Brink includes as standard its lever-tumbler key cylinder with lock models 7010, 7017, 7030, 7030D, 7050S, 7050M, 7060, 7060K, 7070, and 7080. These lock models must be operated by this type of key cylinder.



R.R. BRINK LOCKING SYSTEMS, INC.

500 Earl Road • Shorewood, IL 60404
Tel: 815-744-7000 • Fax: 815-744-7020
www.rrbrink.com