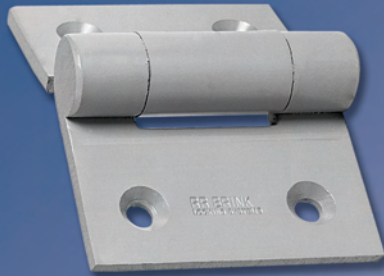
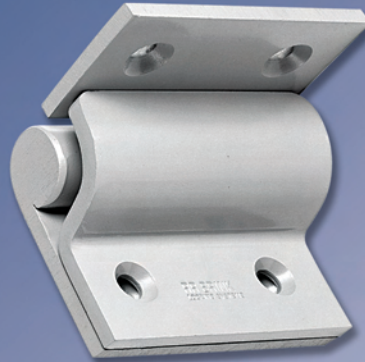


Hinge Series

Heavy-Gauge, Detention Grade Hinges



#3 Access Panel Hinge



#3FP Food Pass Hinge



#4-1/2 Institutional Full Mortise Template Hinge



#5 Heavy Duty Prison Hinge
(Available with mounting holes)

#3 Access Panel Hinge

Application and Features

- Use with electrical and mechanical system access panels or other small doors.
- Fabricated from cold rolled steel.
- Pin welded in-place.
- Security fasteners included.
- Finish – primed for paint.

#3FP Food Pass Hinge

Application and Features

- Use with cell door food pass shutters. Stop added to the #3 hinge limits shutter opening rotation to 90° to form a shelf.
- Features same as #3 hinge.

#41/2 Institutional Full Mortise Template Hinge

Application and Features

- Use with conventional sized security hollow metal doors.
- Cast stainless steel leaves and welded in-place stainless steel pin construction.
- Hospital tips and integral anti-shear studs.
- Anti-friction bearings.
- Conforms to ANSI A156.7 template dimensions.
- Meets ASTM F1758 Grade 1 requirements.
- Finish – US32D (BHMA 630) satin stainless steel or USP - primed for paint.
- Security fasteners standard.
- Through-wire, electric power transfer model available 5 wire 18 awg

#5 Heavy Duty Prison Hinge

Application and Features

- Use with prison type grille and plate doors – surface mount.
- Barrel and leaves fabricated from cold rolled steel – welded assembly.
- Steel pin welded in-place.
- Anti-friction bearings.
- Standard finish USP – primed for paint.
- Security fasteners standard.
- Leaves available with screw holes or without to allow welding to door.



R.R. BRINK LOCKING SYSTEMS, INC.

500 Earl Road • Shorewood, IL 60404

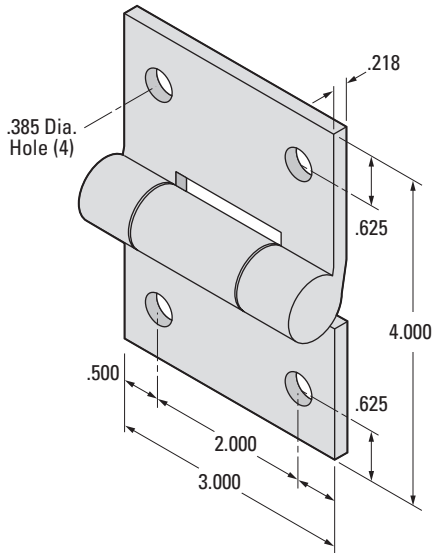
Tel: 815-744-7000 • Fax: 815-744-7020

www.rrbrink.com

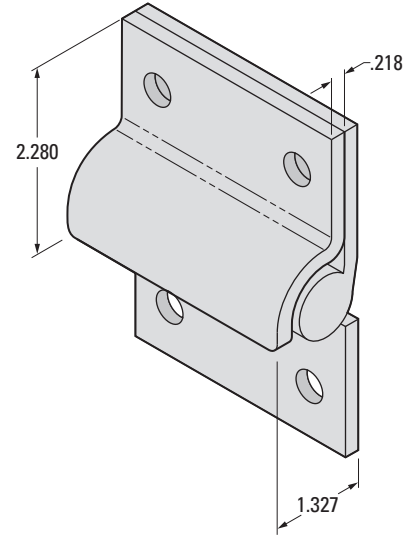
Hinge Series

Heavy Gauge, Detention Grade Hinges

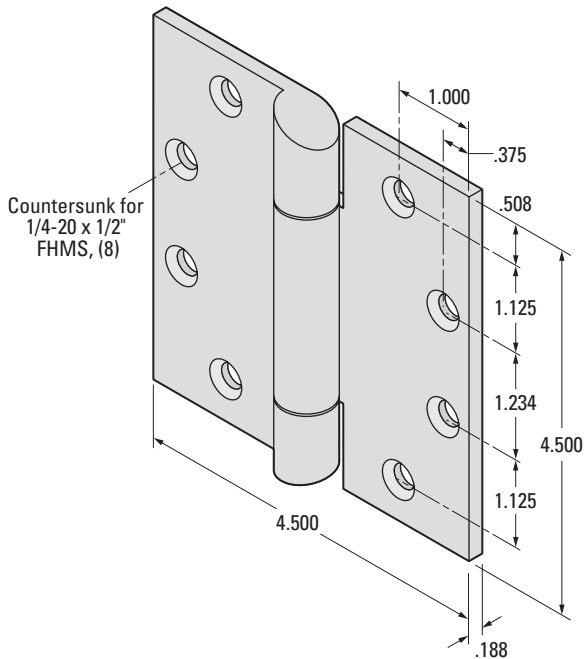
#3 Access Panel Hinge



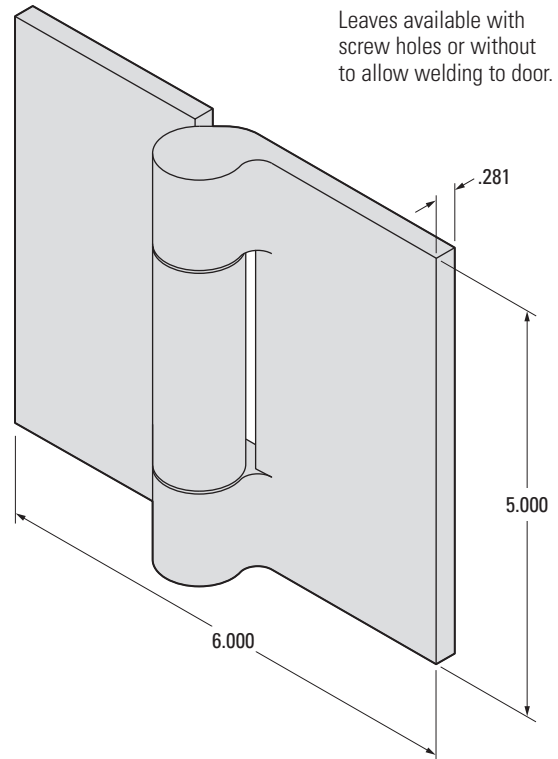
#3FP Food Pass Hinge



#41/2 Institutional Full Mortise Template Hinge



#5 Heavy Duty Prison Hinge



R.R. BRINK LOCKING SYSTEMS, INC.

500 Earl Road • Shorewood, IL 60404
 Tel: 815-744-7000 • Fax: 815-744-7020
 www.rrbrink.com