

8030 Swinging Gate Lock

Medium Security Automatic Deadlocking Electromechanical Chain Link Fence Gate Lock

A compact electric or key operated lock for swinging chain link fence gates



8030 gate lock shown in closed position

Application

The 8030 is a medium-duty electromechanical lock for remote controlled electrical and manual key unlocking of a chain link fence gate. Deadlocking is automatic when the gate is closed manually. Electrical actuation is via a 24VDC solenoid and manual unlocking is by a standard mortise key cylinder supplied by either the factory or the user (e.g. master keyed to an existing system). The 8030 can provide the convenience of remote controlled unlocking for a range of medium security gate locking applications from industrial and institutional enclosures to residential sites. It complements controlled access systems (e.g. card reader and touch pad actuators) where a low voltage/power lock is a requisite.

The 8030 consists of a lock housing designed for fence post mounting. A mating strike enclosure mounts on the gate post and shields the lock front and bolt when the gate is closed. All parts are of corrosion resistant materials (i.e. brass, stainless steel, and galvanized steel). An integral lock status switch provides positive indication of a deadlocked or unlocked bolt via a pilot light and/or alarm circuit.

- Key operation of the 8030 is by a commercial pin tumbler cylinder. This feature facilitates the use of owner-supplied cylinders keyed to an existing system. Specify one or two side keying.
- After initial installation, caulking of the lock enclosure is recommended for weather proofing. Also, at installations subject to freezing conditions, a resistance-heating strip mounted to the internal lock case is recommended to prevent icing of the lock mechanism.



RR BRINK LOCKING SYSTEMS, INC.
500 Earl Road • Shorewood, IL 60431
Tel: 815-744-7000 • Fax: 815-744-7020
www.rrbrink.com

Since chain link fence construction varies, RR Brink Locking Systems, Inc. suggests consulting with the factory for each application. Please verify the diameter of fence and gate posts prior to contacting the factory.

The 8030 gate lock can be modified for surface application — consult factory.

Standard Features

- Electric unlocking actuated by a 24VDC solenoid (1.4 amp in-rush, 0.3 amp seated).
- Manual key operation by a standard mortise cylinder (1-1/8" long) with "Yale" cam and furnished by either the factory or end user. Can be specified for one (K1S) or two (K2S) side keying. Optional factory key cylinder (FKC) is available, see Optional Feature below.
- Lock status switch provides positive indication of a deadlocked bolt (125/250VAC, 5 amp, SPDT)
- Steel lock enclosure and mounting components with electroplated finish. Lock working parts are non-ferrous or stainless steel.
- Lock and strike enclosure mounting brackets are adjustable for 2" to 5" O.D. fence post and 1-1/2" to 4-1/2" O.D. gate post, respectively. (A nominal 2-1/2" gap between fence and gate posts is required.)
- Field wiring is to quick disconnect plug for ease of installation and maintenance.

Standard Operation

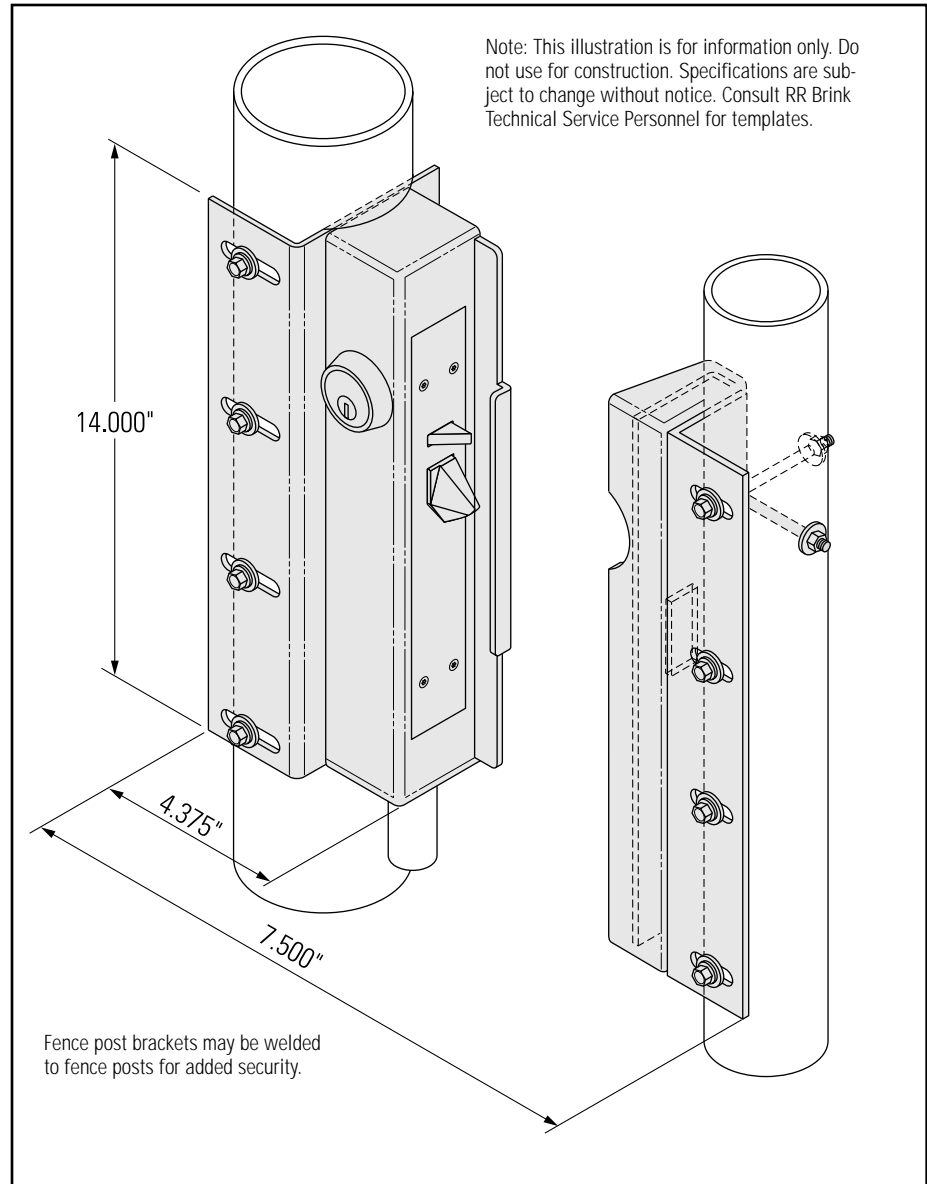
With electrical control by a momentary switch, the lock bolt will retract (unlock) when power is applied. The latch will stay in the retracted (unlocked) position until power is interrupted when it will project and the gate can be closed and deadlocked automatically. Mechanical unlocking is by key at all times.

Optional Feature

- Factory supplied key cylinder (FKC) – high security mortise brand

8030 Swinging Gate Lock

Medium Security Automatic Deadlocking Electromechanical Chain Link Fence Gate Lock



Ordering Information (required)

When ordering the 8030 Gate Lock please specify the following:

- Lock hand (see "Hand of Locks" page)
- One or two side keying – **K1S** or **K2S**
- Outside diameter of gate (**GOD**) and fence (**FOD**) posts
- Optional feature - Factory supplied key cylinder – **FKC**

Example: 8030 x FKC x K1S x LHR x 4.0" FOD x 2.0" GOD



RR BRINK LOCKING SYSTEMS, INC.

500 Earl Road • Shorewood, IL 60431

Tel: 815-744-7000 • Fax: 815-744-7020

www.rrbrink.com