

1040/1060

High Security Automatic Deadlocking Latch Extra Heavy Stainless Steel Construction

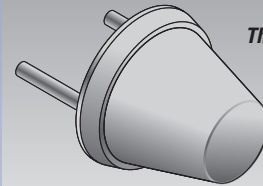
3/4" Latch Throw – Hollow Metal Door Mortise Mount – Free-Spinning Inactive Knob



1040/1060 shown with R.R. Brink Mogul key cylinder, standard knobs and escutcheon



Lever Eskort (optional)



The conical shape of the optional safety knob prevents the holding of a door by grasping the knob.

Safety Knob (optional)



1060 with commercial mortise key cylinder.



R.R. BRINK LOCKING SYSTEMS, INC.
500 Earl Road • Shorewood, IL 60404
Tel: 815-744-7000 • Fax: 815-744-7020
www.rrbrink.com

Application

The 1040/1060 series of key/knob operated deadlocking latches is ideal for use in detention institutions as well as in commercial, governmental and industrial buildings where physical security is of high priority. The design incorporates material strength and tamper resistant fittings to impede forced and/or surreptitious entry. With the optional Lever Eskort trim, the designer/specifier can meet Americans with Disabilities Act (ADA) accessibility standards and insure against intentional, abusive lever breakage.

Model 1040

The 1040 latchbolt is operated by key or knob/lever from one or two sides — see function chart on page 3. This model does not incorporate a key controlled knob lockout feature.

Model 1060

The 1060 series provides the same key and knob control as the 1040 model. In addition, there is a mechanism for key control of one or both knobs (or Lever Eskort) to switch from active to inactive (i.e. locked) status and vice versa — see function chart on page 3. An inactive knob or lever is free spinning to prevent forcing. Turning the key toward the hinge stile: First click renders the controlled knob(s) inactive. Turning the key further, until the second click, renders the knob active. Conversely, rotating the key toward the lock stile retracts the latch.

1040/1060

High Security Automatic Deadlocking Latch – Extra-Heavy Stainless Steel Construction

3/4" Latch Throw – Hollow Metal Door Mortise Mount – Free-Spinning Inactive Knob Prevents Lock Damage From Forcing

Standard Features

- Lock case, armor front, springs, and working parts are made of stainless steel.
- Solid forged-brass trim cannot be removed when the door is in the closed and locked position — all mounting screws are concealed. A locked or inactive knob spins freely to prevent forced breakage of the lock works.
- Latch made of stainless steel with a full 3/4" throw.
- Stainless steel strike plate.
- Fitted for mechanical operation via either RRBLs proprietary "Mogul" or user's commercial key cylinder. (Factory supplied commercial key cylinder optional.)
- Exposed fasteners – pinned "Torx" head.

Optional Features

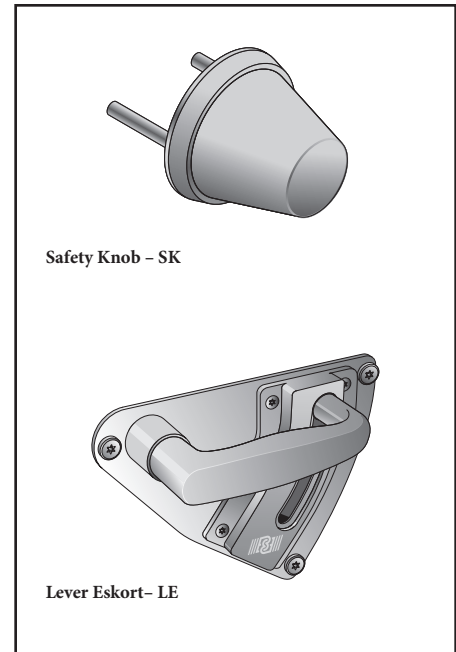
- **FKC** – Factory supplied high security commercial key cylinder with collar – two change keys/cylinder.
- **MOG** – Supplied with RRBLs Mogul proprietary 2" diameter 6-pin cylinder – keys are ordered separately (UL listed locking cylinder UL-437).
- **LSS** – Lock status switch trips when the latch is in a deadlocked condition. Used in a signal circuit to indicate lock status – unlocked or deadlocked – via control panel lights and/or alarm devices.

Note: For positive, tamper resistant signaling of a closed and deadlocked door, a sensitive door position (DPS) switch must be wired in combination with the LSS. Our DPS Nos. 201030 or 201090 are recommended.

Note: the LSS switch option requires an electric transit hinge or another wire transfer connection device between the door and the frame.

Optional Trim

- **Safety Knob** (specify SK) – Solid brass, conical shaped knob serves to limit handgrip to prevent holding a door closed. Specifically designed for jail/prison sleeping room doors.
- **Lever Eskort** (specify LE) – A lever handle and track set designed to add significant structural integrity to mortise lockset assemblies. When specified with the 1040/ 1060 series, a locked lever is free to rotate due to R.R. Brink's patented free-spinning lever lockout design. A locked lever is not rigid, thereby preventing attempts to vandalize the internal lockworks.



Trim and Faceplate Finishes

- Faceplate – Satin Stainless Steel (ANSI 630, US32D)
Trim - Satin Chrome on Brass (ANSI 626, US26D)

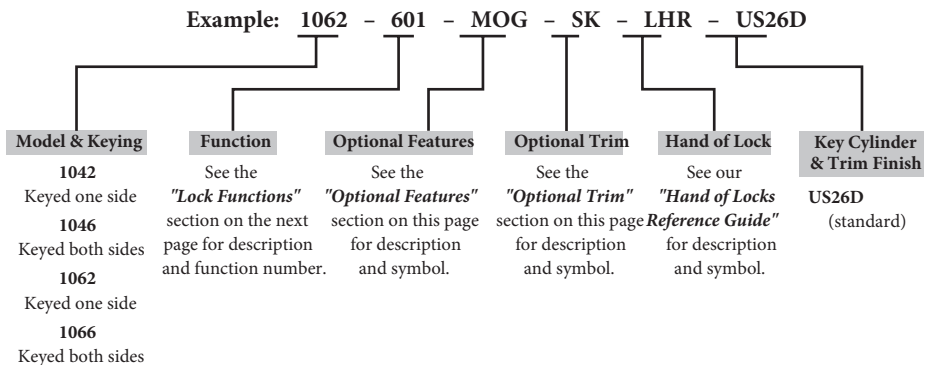
Custom Applications

Consult with our technical service personnel regarding custom applications such as retrofits to existing lock installations, special mounting conditions, and Lever Eskort compatibility with other manufacturers' locksets.

Ordering Information

1040/1060 – Extra-Heavy Construction Mechanical Lock Series

Model	Description
1042	1040 keyed one side only
1046	1040 keyed both sides
1062	1060 keyed one side only
1066	1060 keyed both sides



Lock Functions – How to Specify

Refer to the diagrams below to determine the lock function designation number for a particular application. To specify the function of a 1040/1060 Series mechanical lock, you must first determine the following:

1. The "inside" and "outside" of the opening.
2. Whether the lock will be keyed on one or both sides (1042, 1066, etc.).
3. The desired knob functions for the "inside" and "outside" and choose the corresponding lock function number (i.e. 1062-611, etc.).

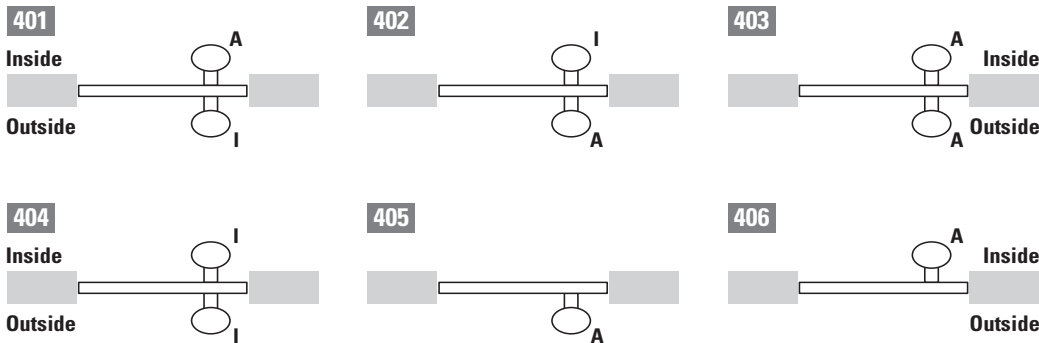
4. The hand of the lock (refer to "Hand of Locks Reference Guide" for explanation of lock handing).

Please Note: Knob control key shown only for 1060 locks. Latch retraction key cylinder can be specified on one or both sides for all 1040 functions. (Never specify a key cylinder on active knob side).

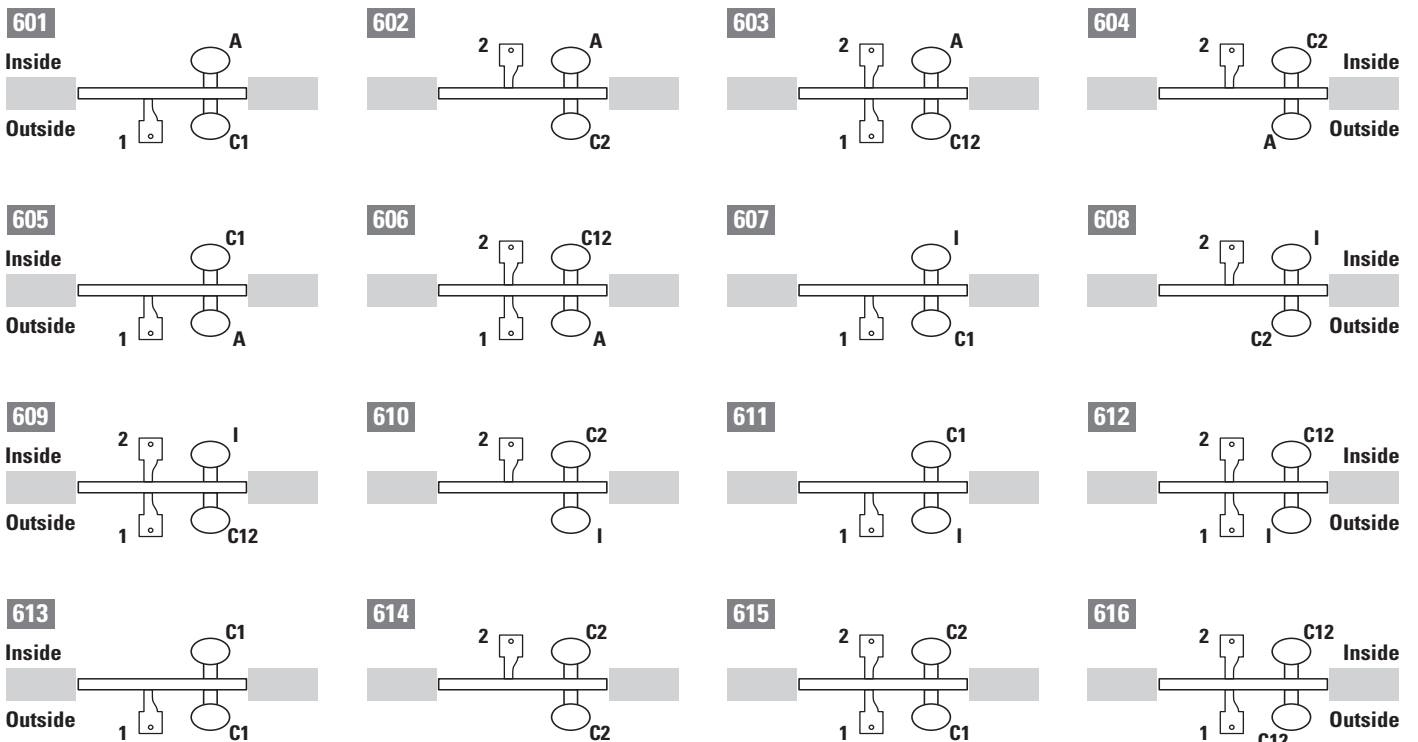
Lock Functions Identified Below

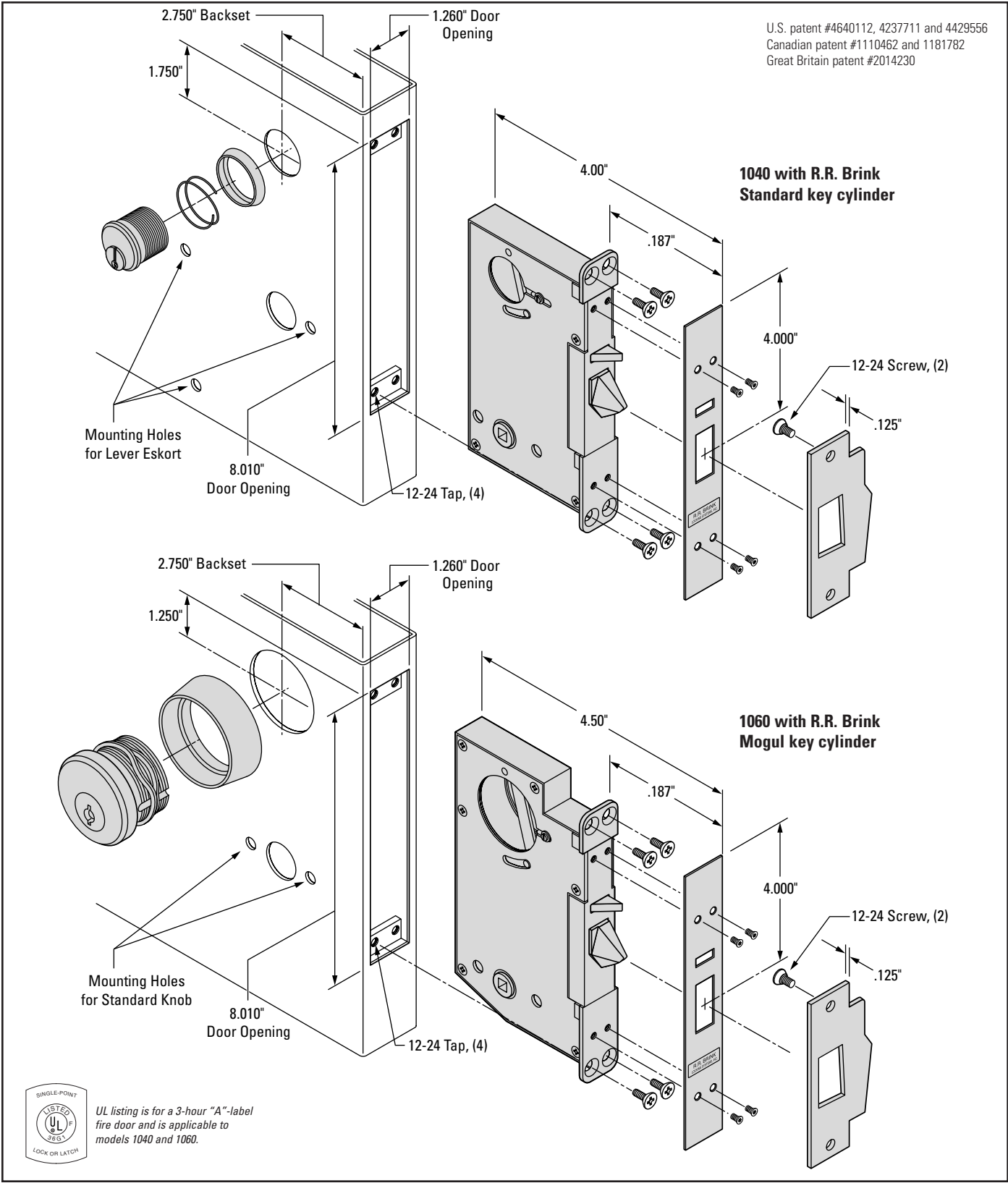
- A:** Active Knob – always operates the latch
- I:** Inactive Knob – functions as a door pull only – free spinning
- C1:** Knob is controlled by Key 1 cylinder
- C2:** Knob is controlled by Key 2 cylinder
- C12:** Knob is key controlled by cylinders on both sides

1040 Lock Functions



1060 Lock Functions





Note: The above illustrations are for information only. Do not use for construction. Door and frame preparation drawings are available from the factory.

R.R. BRINK LOCKING SYSTEMS, INC.
 500 Earl Road • Shorewood, IL 60404
 Tel: 815-744-7000 • Fax: 815-744-7020
 www.rrbrink.com