

ZERO[®] LUMO
WALL IP65



ZERO[®] LUMO

WALL IP65

Finish

Painted die-cast aluminum in black RAL 9005. Diffuser in prismatic acrylic.
Other colours on request.

LED info

System power: 10W. Luminaire Luminous Flux 660LM. CCT 3000K.
SDCM 3. CRI 90. L70/50000H.
Can be delivered with 2700K, 4000K on request.

Installation

On wall.

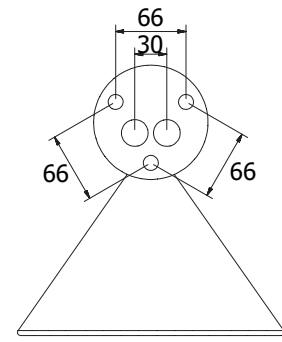
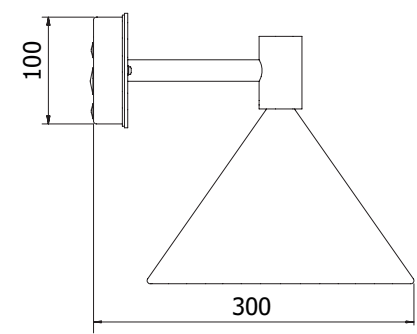
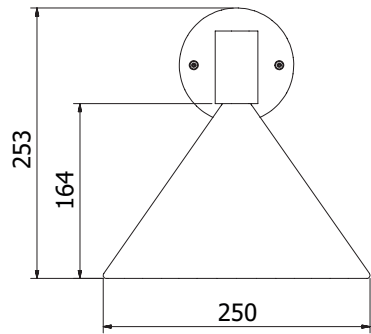
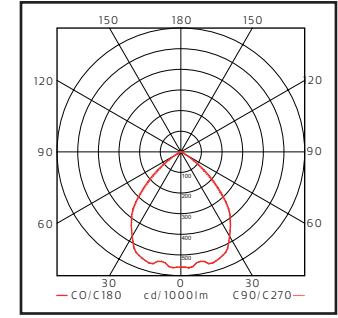
Connection

Terminal block 5x2,5mm².

Design

Thomas Bernstrand 2023.

IK10



ZERO® LUMO
WALL IP65



PRODUCT SPECIFICATION

POWER/LM	KELVIN	CRI	MODEL	COLOUR	ART.
10W/660LM	3000	>90	On/Off	Black	12140106-30
10W/660LM	3000	>90	DALI	Black	12140106D30

ZERO[®] LUMO

WALL IP65



Head office:

Friluftsvägen 2
SE-382 34 Nybro, Sweden
+46(0)481 800 00
info@zero.se

Showroom Stockholm:

Södermalmsallén 36,
SE-118 28 Stockholm, Sweden
+46(0)8-545 850 00

info@zero.se