

STUART JONES

THE ART OF UPHOLSTERY SINCE 1973





THE ART OF UPHOLSTERY SINCE 1973

With over 40 years experience, we pride ourselves on delivering the highest quality handcrafted furniture. Based in Rustington, West Sussex where the company was first founded in 1973, our workshop offers unparalleled expertise and skill, producing some of the finest traditional and contemporary furniture for the contract interiors market and our retail partners.

BESPOKE SERVICE

Our highly skilled and experienced team meticulously hand craft each and every piece of upholstered furniture. With all of the designs specially made to order, bespoke options are available for a truly unique look in your project.

WOOD & PAINT FINISHES

Our workshop offers an impressive level of choice and customisation. Choose from our selection of natural wood grains and paint finishes to complement your made to order piece of furniture.

Due to the natural variations in the wood grain, there may be slight differences in the colour finish.



HEADBOARDS

Our extensive headboard collection of 45 designs, reveal the skill and quality of our upholstery techniques, with a selection of standard, premium and floorstanding headboards available that feature both classic designs and detailed modern styles.

STANDARD HEADBOARDS



TOSCA
H 61cm D 6cm S / SD / D / K / SK



CARMEN
H 55cm D 5cm S / D / K



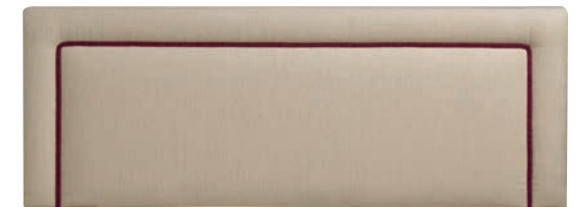
ARCH
H 61cm D 5cm S / SD / D / K / SK



MARS (Studded)
H 55cm D 5cm S / SD / D / K / SK



OREGON
H 61cm D 5cm S / SD / D / K / SK



MARS (Piping)
H 55cm D 5cm S / SD / D / K / SK



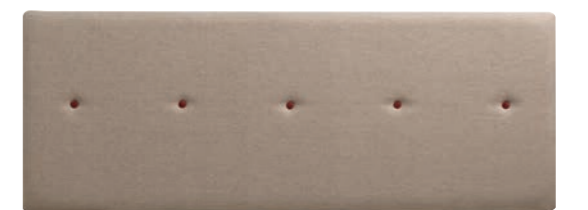
LIBRA (Piping)
H 56cm D 5cm S / SD / D / K



GALAXY
H 56cm D 7.5cm S / SD / D / K / SK



CAMEO (Piping)
H 56cm D 5cm S / SD / D / K



ORION
H 55cm D 5cm S / SD / D / K / SK

BED WIDTHS

S	Single	90	K	King	150
SD	Small Double	120	SK	Super King	180
D	Double	135			



CELINE
H 65cm D 9cm S / SD / D / K / SK



SADIE
H 65cm D 9cm S / SD / D / K / SK



OXFORD
H 66cm D 5cm S / SD / D / K / SK

BED WIDTHS			
S	Single	90	SK Super King 180
SD	Small Double	120	E Emperor 200
D	Double	135	LE Large Emperor 215
K	King	150	



CAMILLIA
H 60cm D 9cm S / SD / D / K / SK



NICOLE (Studded)
H 66cm D 7cm S / SD / D / K / SK



BAYSWATER
H 66cm D 4cm S / SD / D / K / SK



FINCHLEY
H 66cm D 9cm S / SD / D / K / SK



PORTO
H 65cm D 7cm S / SD / D / K / SK



CIRRUS
H 65cm D 7cm S / SD / D / K / SK



RELAX (Adjustable Pads)
H 65cm D 9cm S / D / K / SK



PAMPAS
H 65cm D 17cm S / D / K / SK



JERSEY
H 65cm D 7cm S / D / K / SK



ELBA
H 56cm D 5cm S / SD / D / K



WINDSOR
H 91cm D 9cm SD / D / K / SK / E / LE



EDINBURGH
H 91cm D 9cm SD / D / K / SK / E / LE



CLOUD
H 65cm D 8cm S / SD / D / K / SK



FRAME
H 65cm D 9cm S / D / K / SK



TUDOR
H 105cm D 8cm D / K / SK / E / LE



MANHATTAN
H 105cm D 7cm D / K / SK / E / LE



MONIQUE
H 65cm D 9cm S / SD / D / K / SK



CHANTELLE
H 65cm D 9cm S / SD / D / K / SK

FLOORSTANDING HEADBOARDS

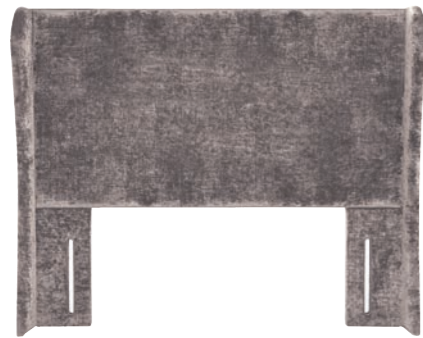
WOODEN HEADBOARDS



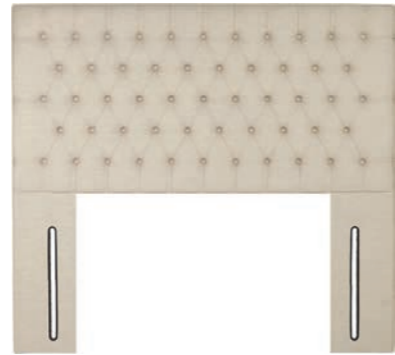
TEATRO
H 132cm D 9cm SD / D / K / SK



CRESCENT
H 132cm D 9cm SD / D / K / SK



PEVENSEY (Winged)
H 132cm D 25cm D / K / SK



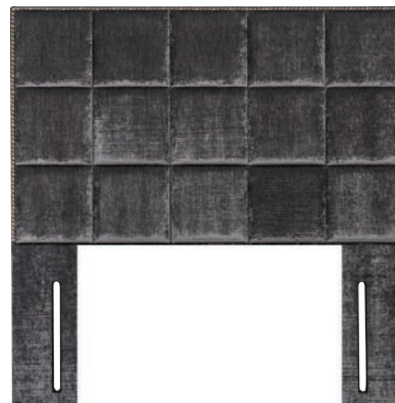
FRANCESCA
H 141cm D 11cm D / K / SK



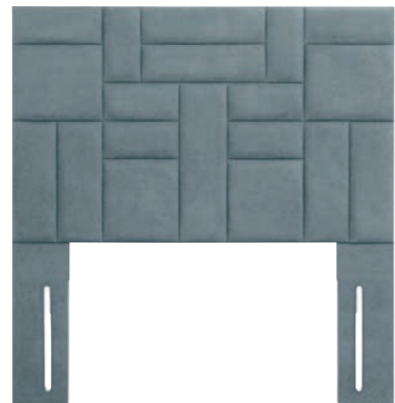
ABBEY (Studded)
H 160cm D 8cm D / K / SK



ST PAUL'S (Studded)
H 160cm D 8cm D / K / SK



BENEDICT (Studded)
H 160cm D 8cm D / K / SK



ROCHESTER
H 160m D 9cm D / K / SK



BELMONT OAK (Foil)
H 60cm D 2cm S / D / K



BELMONT BEECH (Foil)
H 60cm D 2cm S / D / K



FLUTE (Solid Oak)
H 55cm D 3cm S / SD / D / K / SK
The natural grain of timber will vary.

BED WIDTHS				
S	Single	90	K	King 150
SD	Small Double	120	SK	Super King 180
D	Double	135		



BELMONT WHITE (Foil)
H 60cm D 2cm S / D / K



PICCOLO (Painted MDF)
H 55cm D 2cm S / SD / D / K
Available in Snow, Dove, Pink, Cyan, Sapphire and Ebony.



ST PAUL'S (Studded)



BEDS & BEDSTEADS

Our range of upholstered bedsteads and bed bases combine traditional design with modern details and finishes for truly timeless style. Each of the bedsteads and bases are upholstered by hand with over 45 stunning fabric options and 10 paint or wood finish varieties to choose from for the feet of the bed.



VIVALDI
H 111cm F 42cm L 234cm D / K / SK



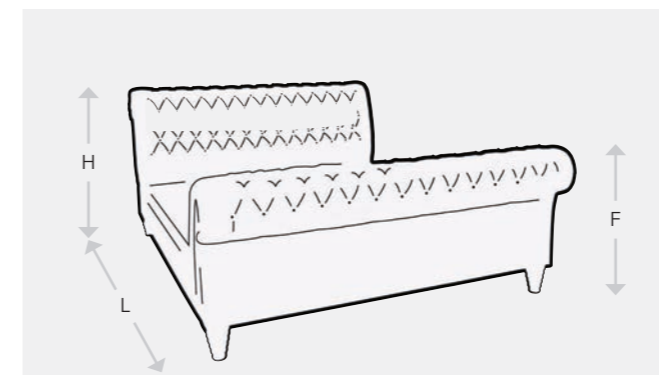
MOZART
H 111cm F 86cm L 270cm D / K / SK



ROSSINI HIGH END
H 133cm F 86cm L 265cm D / K / SK
Mattress and pillows not included.



ROSSINI LOW END
H 133cm F 35cm L 238cm D / K / SK
Mattress and pillows not included.

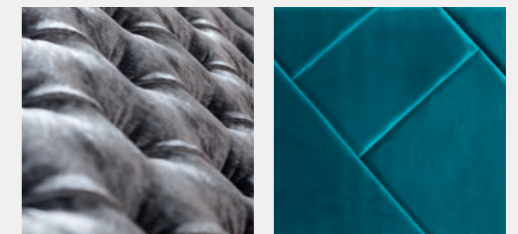


BED WIDTHS

D Double	135cm	SK Super King	180cm
K King	150cm		

FABRIC CHOICE

Choose from a vast selection of over 45 traditional and trend-led material options in our fabric library to perfect the upholstery of your chosen bed design.





WARWICK
H 117cm F 36cm L 218cm D / K / SK



CARNABY
H 104cm F 38cm L 218cm D / K / SK



SAVOY
H 105cm F 36cm L 235cm D / K / SK



NICOLE
H 130cm F 38cm L 243cm D / K / SK
Mattress and pillows not included.



CAXTON BED BASE
H 29cm L 210cm D / K / SK
Headboard, mattress and pillows not included.



DARCY
H 40cm L 162cm D / K / SK
Headboard sold separately, choose from over 40 fabrics.



BED WIDTHS

D	Double	135	SK	Super King	180
K	King	150			

MATERIALS

Each of the beds and bases are upholstered by hand with over 45 stunning fabric options and 10 paint or wood finish varieties to choose from for the feet of the bed.



CATRINA
H 41cm L 201cm S / D / K / SK
Headboard sold separately, choose from over 40 fabrics.



CHAIRS

From relaxed armchairs to statement dining seating, our chair collection combines the importance of comfort with true attention to detail. Using modern upholstery methods, each chair is crafted by hand and finished with quality materials for a timeless design.



ABBOTSWELL
H 86cm W 73cm D 71cm S 50cm A 62cm



ANNABEL
H 96cm W 63cm D 73cm S 50cm A 62cm



BELLINI
H 69cm W 57cm D 61cm S 43cm



CHRISTIE
H 82cm W 67cm D 46cm S 45cm



CAPRI
H 93cm W 58cm D 63cm S 42cm



CASTEL
H 83cm W 55cm D 59cm S 46cm A 58cm



CAVENDISH
H 86cm W 51cm D 62cm S 43cm



FONTWELL
H 86cm W 73cm D 76cm S 45cm A 61cm



MILANO
H 87cm W 60cm D 60cm S 47cm A 62cm



MONTANA
H 89cm W 51cm D 59cm S 46cm



HEPBURN
H 82cm W 67cm D 63cm S 45cm



KANSAS
H 92cm W 64cm D 78cm S 44cm A 57cm



NICOLE
H 86cm W 50cm D 60cm S 48cm A 62cm



ROMA
H 79cm W 53cm D 61cm S 41cm



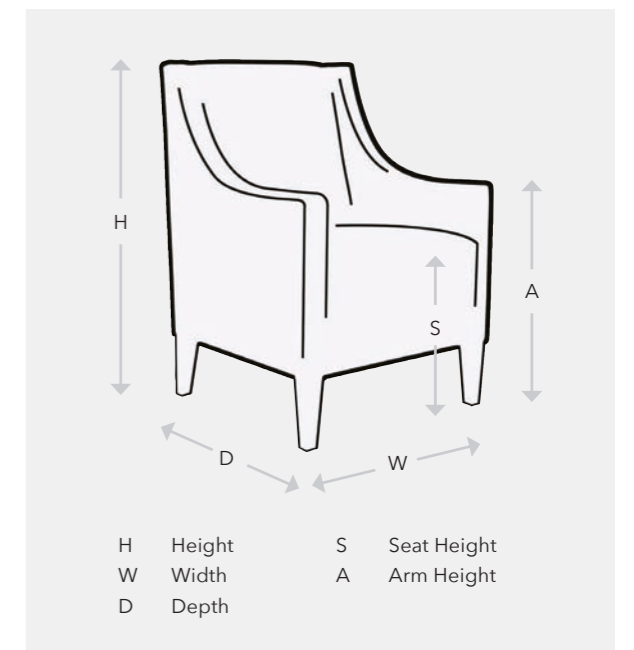
LOIRE
H 79cm W 53cm D 61cm S 41cm



MICHIGAN
H 95cm W 57cm D 61cm S 50cm



VERMONT
H 80cm W 62cm D 63cm S 48cm A 65cm



CHAISE

Statement furniture at its best, our luxury chaise designs feature sweeping curves and refined detail finishes including intricate buttoning and seamless piping. The chaise options within the collection can be made to either a left or right hand side, custom to your personal preference.



Haven in customer's own fabric



KATE
H 85cm W 156cm D 58cm S 42cm



ATHENS
H 76cm W 140cm D 56cm S 41cm
Available in left or right hand version (right hand shown)



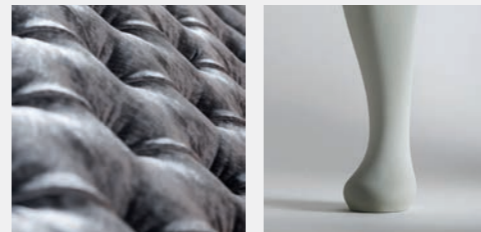
LYMINGTON
H 84cm W 157cm D 58cm S 41cm
Available in left or right hand version (left hand shown)



HAVEN
H 66cm W 124cm D 46cm S 47cm

FABRIC & LEG CHOICE

Our collection of chaise styles can be skilfully upholstered in over 45 stunning fabric options to perfect your desired look. Choose from our selection of natural wood grains and paint finishes to complement your made to order furniture.





OTTOMANS

Upholstered ottomans combine beautiful design with handy storage and additional seating. Our collection features soft close hinges in a variety of sizes and styles that can be upholstered in a wide range of fabrics to suit any décor scheme.



GROSVENOR
H 48cm W 48cm D 41cm



ADELPHI
H 48cm W 94cm D 46cm



KNIGHTSBRIDGE
H 48cm W 94cm D 46cm



DUNE
H 51cm W 124cm D 49cm



NAPOLI
H 50cm W 136cm D 44cm



ROSSINI PLAIN
H 41cm W 136cm D 43cm



ROSSINI BUTTONED
H 41cm W 136cm D 43cm



NICOLE (Studded)
H 50cm W 136cm D 44cm

STOOLS

The upholstered stool range features foot stools, dressing table stools and lounge stools, all of which are carefully handcrafted to the utmost quality. With a vast fabric library and variety of finishes to choose from, any design can be customised to your desired style.



ABBOTSWELL
H 37cm W 43cm D 43cm



LILY (Piped)
H 40cm W 60cm D 42cm



QUEEN ANNE (Buttoned)
H 48cm W 46cm D 38cm



RUBENS
H 34cm W 49cm D 49cm



CHICAGO
H 25cm W 50cm D 50cm



NICOLE (Studded)
H 47cm W 63cm D 39cm



KILBURN (Studded)
H 33cm W 40cm D 30cm



STRAND (Studded)
H 20cm W 40cm D 30cm



SERPENTINE
H 48cm W 51cm D 46cm



OAKLEY (Piped)
H 34cm W 49cm D 49cm



MARLOW (Studded)
H 28cm W 40cm D 30cm



ETON
H 48cm W 55cm D 38cm



HAMPTON (Studded)
H 36cm W 70cm D 70cm



HIGHCLERE
H 36cm W 70cm D 70cm



CUSTOMER'S OWN MATERIAL SERVICE

Our highly skilled team can use your supplied fabric to make many of our products. You will need to ensure that your fabric is of upholstery quality - your fabric supplier should be able to confirm this for you.

To comply with UK legislation and to safeguard all parties we ask that flame retardant fabric is supplied. It must meet Schedule 4 and Schedule 5 Part 1 Source 0+1 of the (Fire) (Safety) Regulations 1988 Furniture and Fillings (Cigarette & Match Test - BS5852).

Non-flame retardant material can be used on headboards and furniture (excluding beds); this is subject to the following conditions. If the fabric is minimum 75% natural

fibres we will use a fire retardant interliner for you and will apply a 10% surcharge for the additional upholstery time and supply of the interliner. Natural fibres include cotton, wool, flax, linen, viscose or modal.

When you place your order, please ensure that you have provided your retailer with the necessary information for us to make your item. For example, is there a particular part of the pattern to be centralised? Does the fabric need to run in a particular direction? If your fabric has a pattern we ask for two additional pattern repeats (or one for a stool) in addition to the listed fabric requirement. Please be aware that if a fabric is directional, seams will be required where the panel is wider than the width of the fabric roll.

FABRIC REQUIREMENTS IN METRES

HEADBOARDS

Size	90	120	135	150	180	200	215
Abbey	-	-	6	6.5	7.5	-	-
Bayswater	2	3	3	3	3.5	-	-
Benedict	-	-	10	11	13	-	-
Crescent	-	-	4	4	5	-	-
Edinburgh	2.5	3.5	3.5	3.5	4	4	4.5
Finchley	2	3	3	3	3.5	-	-
Francesca	-	-	6	6.5	7.5	-	-
Manhattan	-	-	3	3	4	4	4.5
Oxford	2	3	3	3.5	3.5	-	-
Pampas	2.5	-	3	3.5	3.5	-	-
Pevensey	-	-	7	7.5	8.5	-	-
Relax	2.5	-	3	3	3.5	-	-
Rochester	-	-	10	11	13	-	-
St Paul's	-	-	7	7.5	8.5	-	-
Teatro	-	-	4	4	5	-	-
Tudor	-	-	3	3	4	4	4.5
Windsor	2.5	3.5	3.5	3.5	4	4	4.5

CHAIRS

Abbotswell	4
Annabel	4.5
Bellini	3
Capri	2.5
Castel	2
Cavendish	2.5
Christie	2.5
Fontwell	4
Hepburn	3
Kansas	4
Loire	3
Michigan	3
Milano	1.5
Montana	2.5
Nicole	2
Roma	3
Serena	3
Vermont	4.5

FURNITURE

Adelphi	3.5
Athens	4.5
Dune	4
Grosvenor	2.5
Haven	3.5
Kate	6
Knightsbridge	3.5
Luxor	5.5
Napoli	4
Nicole	4
Rossini Plain	4
Rossini Button	4

STOOLS

Abbotswell	1
Chicago	1
Eton	1
Hampton	2
Highclere	2
Kilburn	1
Lily	1
Marlow	1
Nicole	1
Oakley	1
Queen Anne	1
Rubens	1
Serpentine	1
Strand	1

BEDS Details on request.

If fabric has a pattern please supply two additional pattern repeats.

OTHER INFORMATION

Studs can be supplied in either chrome or bronze finish. **Buttons** and **piping** can be supplied in contrasting fabrics. **Fabric buttons** can be replaced by **Swarovski crystals**. To minimise fading we recommend that you do not place your furniture where it will be exposed to direct sunlight.

To keep your upholstery in prime condition we recommend that dust and dirt are regularly removed using your vacuum's upholstery attachment. Please refer to the care label on your furniture for information on cleaning and dealing with spills. All our fabrics and fillings comply with the Furniture and Furnishings (Fire) (Safety) Regulations 1988.

While every care is taken in the compilation of this brochure, the colours and textures shown can only be as accurate as printing methods allow. Accuracy cannot be guaranteed and images should be taken as a guide only. All dimensions are approximate. We reserve the right to alter specifications without prior notice.