


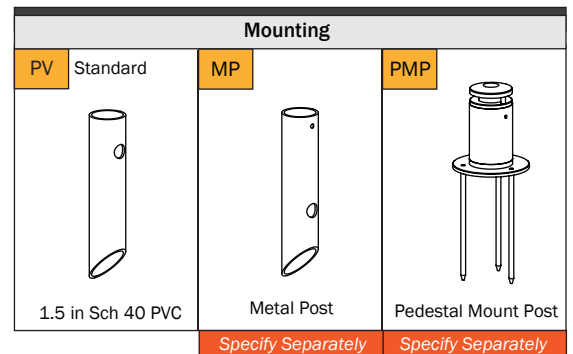
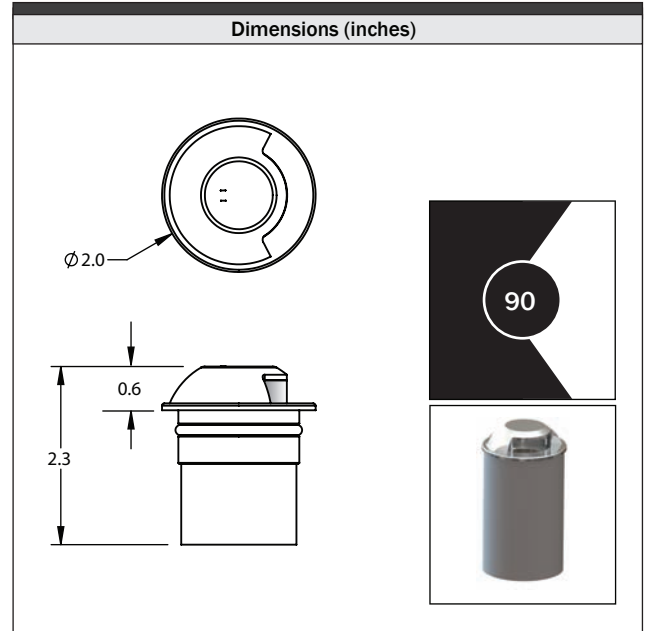
REMOTE LOW VOLTAGE TRANSFORMER REQUIRED

Type:

Project:

Specification	
Light Source	C-Socket™ CR LED Module *
LED Rated Life	50,000 hours average **
Input	8 to 15 Vac/dc
Power Consumption	3.7 Watts
Standard LED Color	2700K +/- 175 CCT Typical
CRI	80 Typical
Diffuser	Frosted
Fasteners	Stainless steel
Standard Mounting	1.5 inch schedule 40 PVC electrical conduit
Operating Temperature	-31F to 122F (-35C to 50C)
Maintenance	Field serviceable LED module
Thermal Management	Fixture is utilized as heat sink
Certification	UL1838  3096671

* IES LM-80 Standard ensures led light source will provide lumen maintenance and color performance.
 ** LED life is defined as the time to 70% lumen maintenance (L70)



Ordering Guide Example: **GL-BR-27-NK-PV** GL Brass, 2700K, Nickel Finish, PVC Conduit Mount

GL				
Prefix	Material	LED Color	Finish	Mounting
	AL - Aluminum BR - Brass CU - Copper	27 - Warm White 2700K 30 - Warm White 3000K NW - Neutral White 4000K CW - Cool White 5500K AM - Amber (Turtle Areas) RD - Red GN - Green BL - Blue	N - Natural BK - Black WT - White BN - Brown GN - Green MP - Silver Metallic NK - Nickel PT - Patina HP - Hammer Patina C - Custom	PV - PVC Post MP - Metal Post PM - Pedestal Mount

Distributed by



4 Villiers Drive
 61 7 5598 1216 61 7 5598 1972 Fax
www.duxlighting.com.au sales@duxlighting.com.au

