

APPENDIX D – AMPHIBIAN BREEDING HABITAT EVALUATION DATA

Results for Amphibian Breeding Habitat Surveys for ABH02

Survey Location (UTM Zone 18T)	Date Surveyed	Observations	Significant?
Station 1 – 362300, 4899300	2009-05-20	AMTO 2-6	Yes
	2009-06-05	AMTO 1-1; GRTR 1; GRFR 1-1; GRFR 1-2; SPPE 1-2	
	2009-06-29	GRTR 1; BULL 1-1; GRFR 1-1; GRFR 2-4	
Station 4 – 362504, 4898893	2009-05-20	SPPE 3; CHFR 1-4; SPPE (outside 100m)	
	2009-06-05	GRFR 1-1; AMTO 1-1; AMTO 1-1; GRTR 2-10; GRFR 1-1	
	2009-06-29	GRTR 1-1; GRTR 1-1	
Station 5 – 362297, 4898983	2009-05-20	SPPE 3; CHFR 1-7	
	2009-06-05	AMTO 1-1; GRTR 2-10	
	2009-06-29	GRTR 1-1; GRFR 1-2	
Station 6 – 362311, 4898459	2009-05-20	SPPE 3; SPPE 3; AMTO 1-6; SPPE 2-8 (outside 100m)	
	2009-06-05	No calls heard within 100 m	
	2009-06-29	GRFR 1; GRFR 1; GRFR 1; GRFR 1	

Species Heard:

American Toad (AMTO)

Grey Tree Frog (GRTR)

Green Frog (GRFR)

Spring Peeper (SPPE)

Bull Frog (BULL)

Western Chorus Frog (CHFR)

Anuran Breeding Call Survey Form



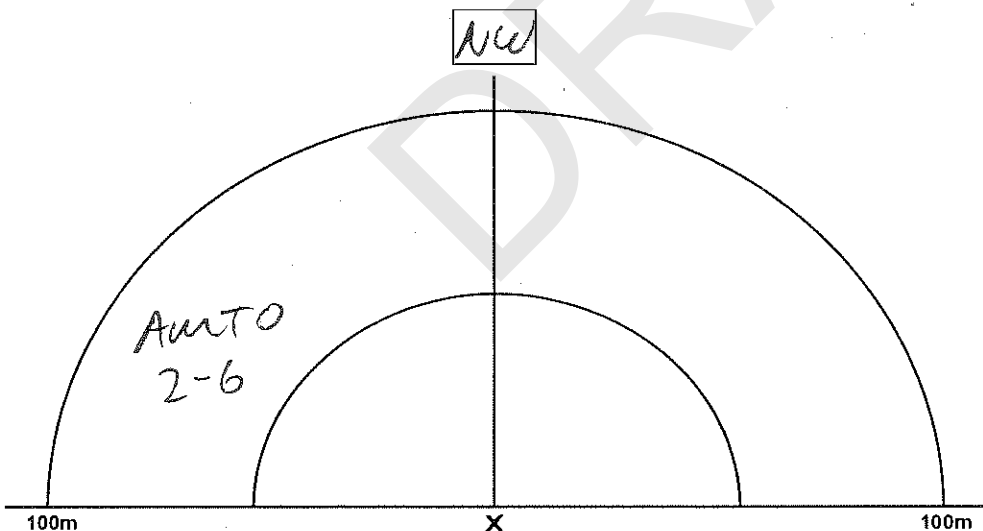
AET Group Inc.
531 Wellington St. North
Kitchener, Ontario N2H 5L6
T: (519) 576-9723
F: (519) 570-9589
info@aet-group.com

Project Name: <i>Ernestown</i>			Project No. <i>EC-50</i>	
Date(dd/mm/yr): <i>20/05/09</i>	Field Personnel (Initials): <i>LM</i>	Start Time (24hr): <i>21:35</i>	End Time (24hr): <i>21:38</i>	

Weather:				
Wind Code*: <i>1</i>	Cloud Cover (%): <i>40</i>	Air Temp (°C): <i>14</i>		
Precipitation Code**: <i>0</i>	Precipitation in last 24hrs: <input type="checkbox"/> Yes <input checked="" type="checkbox"/> No			

Survey Site Description				
Site ID: <i>1</i>	UTM Co-od (DMS): North: <i>18T 362300</i> West: <i>4899500</i>			GPS Accuracy (±):
Hydroperiod:	<input type="checkbox"/> Permanent	<input checked="" type="checkbox"/> Semi-permanent	<input type="checkbox"/> Seasonal	
% of major veg. type in 100m radius (should add to 100%):				
<input type="checkbox"/> Nil	Submerged <i>20</i> %	Open Water/Floating <input type="checkbox"/> %	Emergents <i>60</i> %	Shrubs <i>20</i> % Trees <input type="checkbox"/> %

Other Species Observations/Comments: <i>Flooded area next to creek (floodplain)</i>
--



Species	In*	Out**
AMTO	<input checked="" type="checkbox"/>	
BCFR		
BULL		
CHFR		
CGTR		
FOTO		
GRFR		
GRTR		
MIFR		
NLFR		
PIFR		
SPPE		
WOFR		

* Check if species is calling from inside 100m-sample area
** Check if species is calling from outside 100-metre sample area

Call Level Codes
Code (1) - Calls not simultaneous, number of individuals can be accurately counted
Code (2) - Some calls simultaneous, number of individuals can be reliably estimated
Code (3) - full chorus, calls continuous and overlapping, number of individuals cannot be estimated

*Wind Codes (Beaufort Wind Scale)			
Code	Wind Speed (km/h)	Description	Visual Cues
0	2	Calm	Smoke rises vertically
1	3	Light	Smoke drifts
2	8	Light Breeze	Leaves rustle
3	16	Gentle Breeze	Lighter branches sway
4	15	Moderate Breeze	Dust rises, branches move
5	33	Fresh Breeze	Small trees sway
6	45	Strong Breeze	Larger branches move

**Precipitation Codes		
0 - no precipitation	3 - heavy rain	6 - freezing rain
1 - fog/mist	4 - thunderstorm	
2 - light rain	5 - snow	

Anuran Breeding Call Survey Form



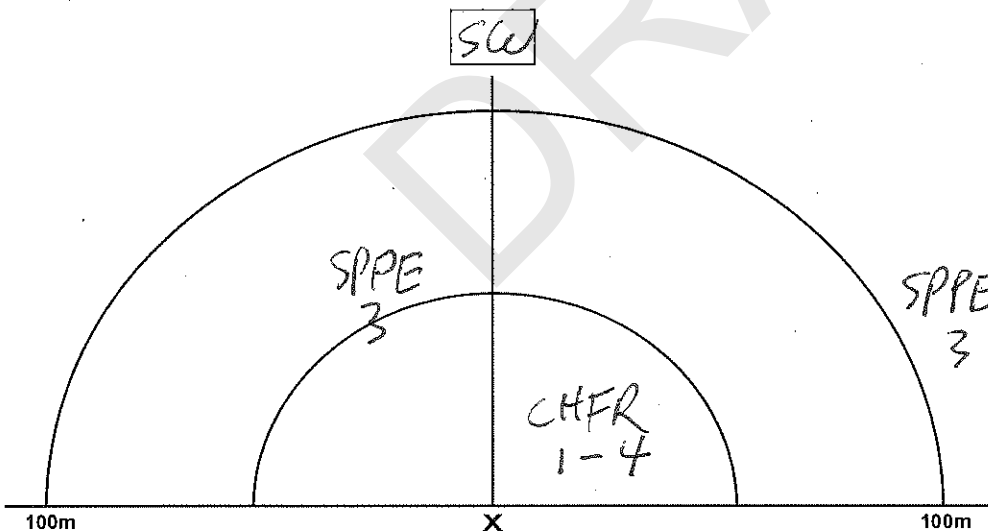
AET Group Inc.
531 Wellington St. North
Kitchener, Ontario N2H 5L6
T: (519) 576-9723
F: (519) 570-9589
info@aet-group.com

Project Name: <u>Ernestown</u>			Project No. <u>EC-50</u>	
Date(dd/mm/yr): <u>20/05/09</u>	Field Personnel (Initials): <u>LM</u>	Start Time (24hr): <u>22:02</u>	End Time (24hr): <u>22:05</u>	

Weather:				
Wind Code*: <u>1</u>	Cloud Cover (%): <u>30</u>	Air Temp (°C): <u>13</u>		
Precipitation Code**: <u>0</u>	Precipitation in last 24hrs: <input type="checkbox"/> Yes <input checked="" type="checkbox"/> No			

Survey Site Description				
Site ID: <u>4</u>	UTM Co-od (DMS): North: <u>18T 362504</u> West: <u>4898893</u>		GPS Accuracy (±):	
Hydroperiod:	<input type="checkbox"/> Permanent	<input type="checkbox"/> Semi-permanent	<input checked="" type="checkbox"/> Seasonal	
% of major veg. type in 100m radius (should add to 100%):				
<input type="checkbox"/> Nil	Submerged <input type="checkbox"/> %	Open Water/Floating <input type="checkbox"/> %	Emergents <u>90</u> %	Shrubs <u>10</u> % Trees <input type="checkbox"/> %

Other Species Observations/Comments: <u>Flooded riparian area</u>
--



Species	In*	Out**
AMTO		
BCFR		
BULL		
CHFR	✓	
CGTR		
FOTO		
GRFR		
GRTR		
MIFR		
NLFR		
PIFR		
SPPE	✓	
WOFR		

* Check if species is calling from inside 100m-sample area
** Check if species is calling from outside 100-metre sample area

Call Level Codes
Code (1) - Calls not simultaneous, number of individuals can be accurately counted
Code (2) - Some calls simultaneous, number of individuals can be reliably estimated
Code (3) - full chorus, calls continuous and overlapping, number of individuals cannot be estimated

*Wind Codes (Beaufort Wind Scale)			
Code	Wind Speed (km/h)	Description	Visual Cues
0	2	Calm	Smoke rises vertically
1	3	Light	Smoke drifts
2	8	Light Breeze	Leaves rustle
3	16	Gentle Breeze	Lighter branches sway
4	15	Moderate Breeze	Dust rises, branches move
5	33	Fresh Breeze	Small trees sway
6	45	Strong Breeze	Larger branches move

**Precipitation Codes		
0 - no precipitation	3 - heavy rain	6 - freezing rain
1 - fog/mist	4 - thunderstorm	
2 - light rain	5 - snow	

Anuran Breeding Call Survey Form



AET Group Inc.
531 Wellington St. North
Kitchener, Ontario N2H 5L6
T: (519) 576-9723
F: (519) 570-9589
info@aet-group.com

Project Name: <u>Ernestown</u>			Project No. <u>EC-50</u>	
Date(dd/mm/yr): <u>20/05/09</u>	Field Personnel (Initials): <u>LM</u>	Start Time (24hr): <u>22:09</u>	End Time (24hr): <u>22:12</u>	

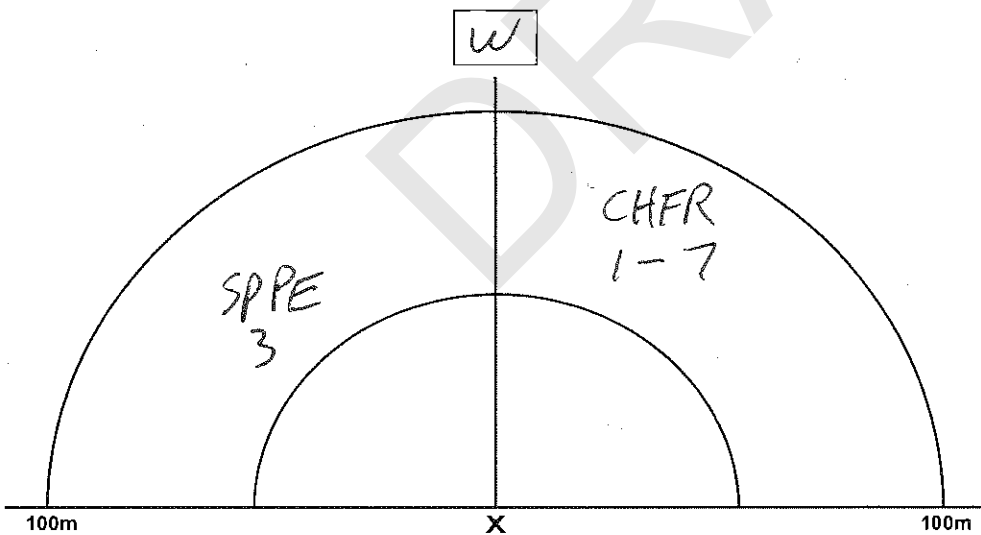
Weather:

Wind Code*: <u>1</u>	Cloud Cover (%): <u>40</u>	Air Temp (°C): <u>14</u>
Precipitation Code**: <u>0</u>	Precipitation in last 24hrs: <input type="checkbox"/> Yes <input checked="" type="checkbox"/> No	

Survey Site Description

Site ID: <u>5</u>	UTM Co-od (DMS): North: <u>18T 362297</u> West: <u>489 8983</u>	GPS Accuracy (±):
Hydroperiod: <input type="checkbox"/> Permanent <input type="checkbox"/> Semi-permanent <input checked="" type="checkbox"/> Seasonal		
% of major veg. type in 100m radius (should add to 100%): <input type="checkbox"/> Nil <input type="checkbox"/> Submerged <input type="checkbox"/> % <input type="checkbox"/> Open Water/Floating <input type="checkbox"/> % <input type="checkbox"/> Emergents <u>70</u> % <input type="checkbox"/> Shrubs <u>10</u> % <input type="checkbox"/> Trees <u>20</u> %		

Other Species Observations/Comments:
Flooded riparian area



Species	In*	Out**
AMTO		
BCFR		
BULL		
CHFR	✓	
CGTR		
FOTO		
GRFR		
GRTR		
MIFR		
NLFR		
PIFR		
SPPE	✓	
WOFR		

* Check if species is calling from inside 100m-sample area
** Check if species is calling from outside 100-metre sample area

Call Level Codes

Code (1) - Calls not simultaneous, number of individuals can be accurately counted
Code (2) - Some calls simultaneous, number of individuals can be reliably estimated
Code (3) - full chorus, calls continuous and overlapping, number of individuals cannot be estimated

***Wind Codes (Beaufort Wind Scale)**

Code	Wind Speed (km/h)	Description	Visual Cues
0	2	Calm	Smoke rises vertically
1	3	Light	Smoke drifts
2	8	Light Breeze	Leaves rustle
3	16	Gentle Breeze	Lighter branches sway
4	15	Moderate Breeze	Dust rises, branches move
5	33	Fresh Breeze	Small trees sway
6	45	Strong Breeze	Larger branches move

****Precipitation Codes**

0 - no precipitation	3 - heavy rain	6 - freezing rain
1 - fog/mist	4 - thunderstorm	
2 - light rain	5 - snow	

Anuran Breeding Call Survey Form



AET Group Inc.
531 Wellington St. North
Kitchener, Ontario N2H 5L6
T: (519) 576-9723
F: (519) 570-9589
info@aet-group.com

Project Name: <i>Ernestown</i>			Project No. <i>EC-50</i>	
Date(dd/mm/yr): <i>20/05/09</i>	Field Personnel (Initials): <i>LM</i>	Start Time (24hr): <i>22:20</i>	End Time (24hr): <i>22:23</i>	

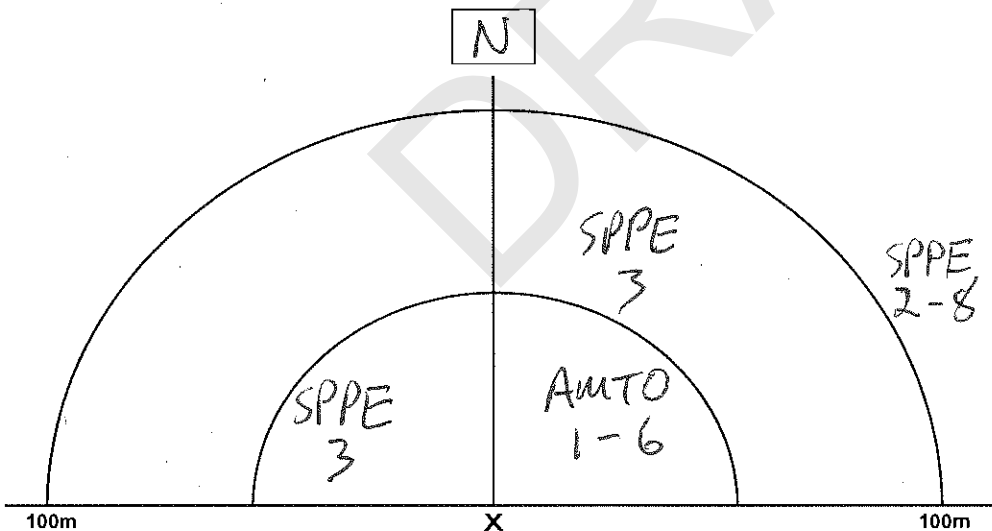
Weather:

Wind Code*: <i>1</i>	Cloud Cover (%): <i>40</i>	Air Temp (°C): <i>14</i>
Precipitation Code**: <i>0</i>	Precipitation in last 24hrs: <input type="checkbox"/> Yes <input checked="" type="checkbox"/> No	

Survey Site Description

Site ID: <i>6</i>	UTM Co-od (DMS): North: <i>18T 362 311</i> West: <i>489 8459</i>	GPS Accuracy (±):
Hydroperiod: <input type="checkbox"/> Permanent <input checked="" type="checkbox"/> Semi-permanent <input checked="" type="checkbox"/> Seasonal		
% of major veg. type in 100m radius (should add to 100%): <input type="checkbox"/> Nil <input type="checkbox"/> Submerged <input type="checkbox"/> % <input type="checkbox"/> Open Water/Floating <input type="checkbox"/> % <input type="checkbox"/> Emergents <input type="checkbox"/> % <input type="checkbox"/> Shrubs <input type="checkbox"/> % <input checked="" type="checkbox"/> Trees <i>100</i> %		

Other Species Observations/Comments:
Toad swamp



Species	In*	Out**
AMTO	<input checked="" type="checkbox"/>	
BCFR		
BULL		
CHFR		
CGTR		
FOTO		
GRFR		
GRTR		
MIFR		
NLFR		
PIFR		
SPPE	<input checked="" type="checkbox"/>	<input checked="" type="checkbox"/>
WOFR		

* Check if species is calling from inside 100m-sample area
** Check if species is calling from outside 100-metre sample area

Call Level Codes
Code (1) - Calls not simultaneous, number of individuals can be accurately counted
Code (2) - Some calls simultaneous, number of individuals can be reliably estimated
Code (3) - full chorus, calls continuous and overlapping, number of individuals cannot be estimated

***Wind Codes (Beaufort Wind Scale)**

Code	Wind Speed (km/h)	Description	Visual Cues
0	2	Calm	Smoke rises vertically
1	3	Light	Smoke drifts
2	8	Light Breeze	Leaves rustle
3	16	Gentle Breeze	Lighter branches sway
4	15	Moderate Breeze	Dust rises, branches move
5	33	Fresh Breeze	Small trees sway
6	45	Strong Breeze	Larger branches move

****Precipitation Codes**

0 - no precipitation	3 - heavy rain	6 - freezing rain
1 - fog/mist	4 - thunderstorm	
2 - light rain	5 - snow	

Amphibian Breeding Call Survey Form



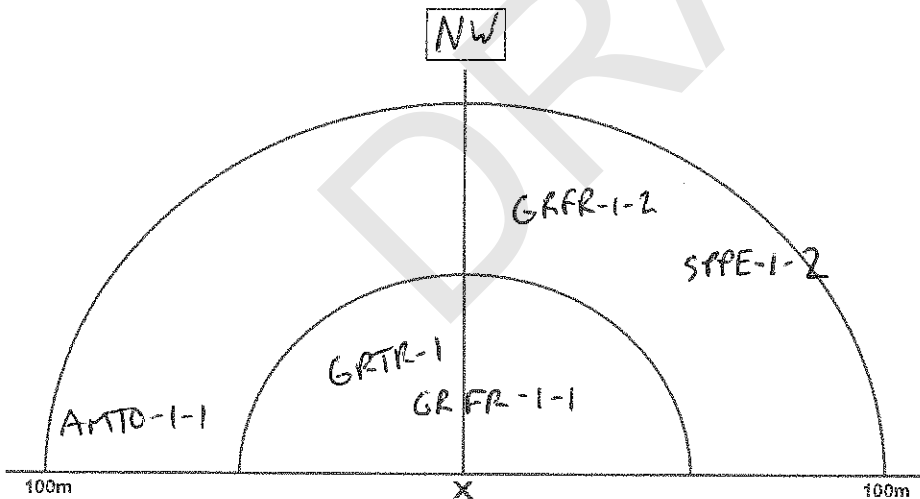
AET Group Inc.
531 Wellington St. North
Kitchener, Ontario N2H 5L6
T: (519) 576-9723
F: (519) 570-9589
info@aet-group.com

Project Name: <i>Ernestown</i>		Project No. <i>EC-50</i>	
Date(dd/mm/yr): <i>05/06/09</i>	Field Personnel (Initials): <i>MB</i>	Start Time (24hr): <i>9 21:40</i>	End Time (24hr): <i>21:43</i>

Weather:			
Wind Code*: <i>0</i>	Cloud Cover (%): <i>30</i>	Air Temp (°C): <i>14</i>	
Precipitation Code**: <i>0</i>		Precipitation in last 24hrs: <input type="checkbox"/> Yes <input checked="" type="checkbox"/> No	

Survey Site Description		
Site ID: <i>1</i>	UTM Co-od (DMS): North: _____ West: _____	GPS Accuracy (±):
Hydroperiod: <input type="checkbox"/> Permanent <input type="checkbox"/> Semi-permanent <input type="checkbox"/> Seasonal		
% of major veg. type in 100m radius (should add to 100%): <input type="checkbox"/> Nil <input type="checkbox"/> Submerged <input type="checkbox"/> % <input type="checkbox"/> Open Water/Floating <input type="checkbox"/> % <input type="checkbox"/> Emergents <input type="checkbox"/> % <input type="checkbox"/> Shrubs <input type="checkbox"/> % <input type="checkbox"/> Trees <input type="checkbox"/> %		

Other Species Observations/Comments:



Species	In*	Out**
AMTO	<input checked="" type="checkbox"/>	<input checked="" type="checkbox"/>
BCFR	<input type="checkbox"/>	<input type="checkbox"/>
BULL	<input type="checkbox"/>	<input type="checkbox"/>
CHFR	<input type="checkbox"/>	<input type="checkbox"/>
CGTR	<input type="checkbox"/>	<input type="checkbox"/>
FOTO	<input type="checkbox"/>	<input type="checkbox"/>
GRFR	<input checked="" type="checkbox"/>	<input type="checkbox"/>
GRTR	<input checked="" type="checkbox"/>	<input checked="" type="checkbox"/>
MIFR	<input type="checkbox"/>	<input type="checkbox"/>
NLFR	<input type="checkbox"/>	<input type="checkbox"/>
PIFR	<input type="checkbox"/>	<input type="checkbox"/>
SPPE	<input checked="" type="checkbox"/>	<input type="checkbox"/>
WOFR	<input type="checkbox"/>	<input type="checkbox"/>

* Check if species is calling from inside 100m-sample area

** Check if species is calling from outside 100-metre sample area

Call Level Codes
Code (1) - Calls not simultaneous, number of individuals can be accurately counted
Code (2) - Some calls simultaneous, number of individuals can be reliably estimated
Code (3) - full chorus, calls continuous and overlapping, number of individuals cannot be estimated

*Wind Codes (Beaufort Wind Scale)			
Code	Wind Speed (km/h)	Description	Visual Cues
0	2	Calm	Smoke rises vertically
1	3	Light	Smoke drifts
2	8	Light Breeze	Leaves rustle
3	16	Gentle Breeze	Lighter branches sway
4	15	Moderate Breeze	Dust rises, branches move
5	33	Fresh Breeze	Small trees sway
6	45	Strong Breeze	Larger branches move

**Precipitation Codes		
0 - no precipitation	3 - heavy rain	6 - freezing rain
1 - fog/mist	4 - thunderstorm	
2 - light rain	5 - snow	

Anuran Breeding Call Survey Form



AET Group Inc.
531 Wellington St. North
Kitchener, Ontario N2H 5L6
T: (519) 576-9723
F: (519) 570-9589
info@aet-group.com

Project Name: <i>Ernestown</i>		Project No. <i>EC-50</i>	
Date(dd/mm/yr): <i>05/06/09</i>	Field Personnel (Initials): <i>MB</i>	Start Time (24hr): <i>21:57</i>	End Time (24hr): <i>22:00</i>

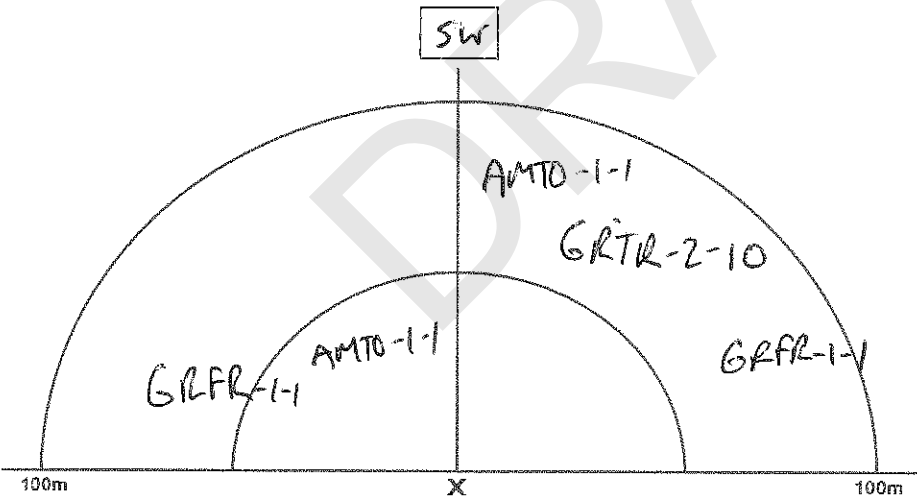
Weather:

Wind Code*: <i>0</i>	Cloud Cover (%): <i>30</i>	Air Temp (°C): <i>14</i>
Precipitation Code**: <i>0</i>	Precipitation in last 24hrs: <input type="checkbox"/> Yes <input checked="" type="checkbox"/> No	

Survey Site Description

Site ID: <i>4</i>	UTM Co-od (DMS): North: _____ West: _____	GPS Accuracy (±): _____
Hydroperiod: <input type="checkbox"/> Permanent <input type="checkbox"/> Semi-permanent <input type="checkbox"/> Seasonal		
% of major veg. type in 100m radius (should add to 100%): <input type="checkbox"/> Nil <input type="checkbox"/> Submerged <input type="checkbox"/> % <input type="checkbox"/> Open Water/Floating <input type="checkbox"/> % <input type="checkbox"/> Emergents <input type="checkbox"/> % <input type="checkbox"/> Shrubs <input type="checkbox"/> % <input type="checkbox"/> Trees <input type="checkbox"/> %		

Other Species Observations/Comments:



Species	In*	Out**
AMTO	✓	
BCFR		
BULL		
CHFR		
CGTR		
FOTO		
GRFR	✓	
GRTR	✓	✓
MIFR		
NLFR		
PIFR		
SPPE		
WOFR		

* Check if species is calling from inside 100m-sample area
** Check if species is calling from outside 100-metre sample area

Call Level Codes
Code (1) - Calls not simultaneous, number of individuals can be accurately counted
Code (2) - Some calls simultaneous, number of individuals can be reliably estimated
Code (3) - full chorus, calls continuous and overlapping, number of individuals cannot be estimated

***Wind Codes (Beaufort Wind Scale)**

Code	Wind Speed (km/h)	Description	Visual Cues
0	2	Calm	Smoke rises vertically
1	3	Light	Smoke drifts
2	8	Light Breeze	Leaves rustle
3	16	Gentle Breeze	Lighter branches sway
4	15	Moderate Breeze	Dust rises, branches move
5	33	Fresh Breeze	Small trees sway
6	45	Strong Breeze	Larger branches move

****Precipitation Codes**

0 - no precipitation	3 - heavy rain	6 - freezing rain
1 - fog/mist	4 - thunderstorm	
2 - light rain	5 - snow	

Amphibian Breeding Call Survey Form



AET Group Inc.
531 Wellington St. North
Kitchener, Ontario N2H 5L6
T: (519) 576-9723
F: (519) 570-9589
info@aet-group.com

Project Name: <i>Ernestown</i>			Project No. <i>EC-50</i>	
Date(dd/mm/yr): <i>05/06/09</i>	Field Personnel (Initials): <i>MB</i>	Start Time (24hr): <i>9 21:52</i>	End Time (24hr): <i>21:55</i>	

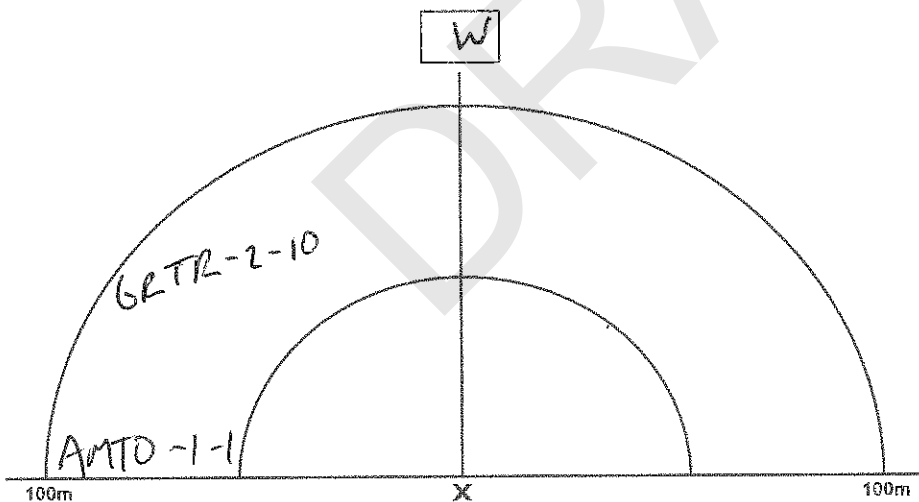
Weather:

Wind Code*: <i>0</i>	Cloud Cover (%): <i>30</i>	Air Temp (°C): <i>14</i>
Precipitation Code**: <i>0</i>	Precipitation in last 24hrs: <input type="checkbox"/> Yes <input checked="" type="checkbox"/> No	

Survey Site Description

Site ID: <i>5</i>	UTM Co-od (DMS): North: _____ West: _____	GPS Accuracy (±): _____
Hydroperiod: <input type="checkbox"/> Permanent <input type="checkbox"/> Semi-permanent <input type="checkbox"/> Seasonal		
% of major veg. type in 100m radius (should add to 100%): <input type="checkbox"/> Nil <input type="checkbox"/> Submerged <input type="checkbox"/> % <input type="checkbox"/> Open Water/Floating <input type="checkbox"/> % <input type="checkbox"/> Emergents <input type="checkbox"/> % <input type="checkbox"/> Shrubs <input type="checkbox"/> % <input type="checkbox"/> Trees <input type="checkbox"/> %		

Other Species Observations/Comments:



Species	In*	Out**
AMTO	✓	
BCFR		
BULL		
CHFR		
CGTR		
FOTO		
GRFR		
GRTR	✓	✓
MIFR		
NLFR		
PIFR		
SPPE		
WOFR		

* Check if species is calling from inside 100m-sample area

** Check if species is calling from outside 100-metre sample area

Call Level Codes

Code (1) - Calls not simultaneous, number of individuals can be accurately counted
Code (2) - Some calls simultaneous, number of individuals can be reliably estimated
Code (3) - full chorus, calls continuous and overlapping, number of individuals cannot be estimated

***Wind Codes (Beaufort Wind Scale)**

Code	Wind Speed (km/h)	Description	Visual Cues
0	2	Calm	Smoke rises vertically
1	3	Light	Smoke drifts
2	8	Light Breeze	Leaves rustle
3	16	Gentle Breeze	Lighter branches sway
4	15	Moderate Breeze	Dust rises, branches move
5	33	Fresh Breeze	Small trees sway
6	45	Strong Breeze	Larger branches move

****Precipitation Codes**

0 - no precipitation	3 - heavy rain	6 - freezing rain
1 - fog/mist	4 - thunderstorm	
2 - light rain	5 - snow	

Amphibian Breeding Call Survey Form



AET Group Inc.
531 Wellington St. North
Kitchener, Ontario N2H 5L6
T: (519) 576-9723
F: (519) 570-9589
info@aet-group.com

Project Name: Ernestown		Project No. EC-50	
Date(dd/mm/yr): 05/06/09	Field Personnel (Initials): MB	Start Time (24hr): 22:14	End Time (24hr): 22:17

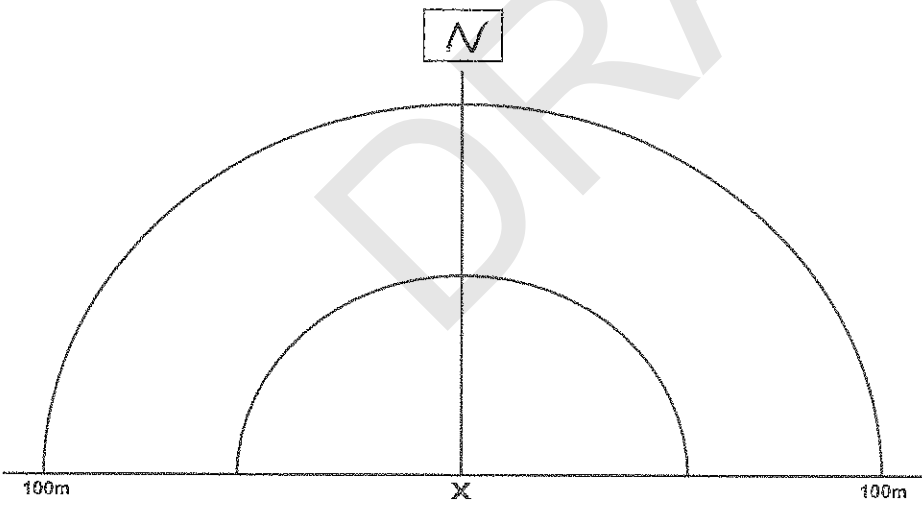
Weather:

Wind Code*: 0	Cloud Cover (%): 30	Air Temp (°C): 14
Precipitation Code**: 0	Precipitation in last 24hrs: <input type="checkbox"/> Yes <input checked="" type="checkbox"/> No	

Survey Site Description

Site ID: 6	UTM Co-od (DMS): North: _____ West: _____	GPS Accuracy (±): _____
Hydroperiod: <input type="checkbox"/> Permanent <input type="checkbox"/> Semi-permanent <input type="checkbox"/> Seasonal		
% of major veg. type in 100m radius (should add to 100%): <input type="checkbox"/> Nil <input type="checkbox"/> Submerged <input type="checkbox"/> % <input type="checkbox"/> Open Water/Floating <input type="checkbox"/> % <input type="checkbox"/> Emergents <input type="checkbox"/> % <input type="checkbox"/> Shrubs <input type="checkbox"/> % <input type="checkbox"/> Trees <input type="checkbox"/> %		

Other Species Observations/Comments:



Species	In*	Out**
AMTO		✓
BCFR		
BULL		
CHFR		
CGTR		
FOTO		
GRFR		✓
GRTR		✓
MIFR		
NLFR		
PIFR		
SPPE		
WOFR		

* Check if species is calling from inside 100m-sample area
** Check if species is calling from outside 100-metre sample area

Call Level Codes
Code (1) - Calls not simultaneous, number of individuals can be accurately counted
Code (2) - Some calls simultaneous, number of individuals can be reliably estimated
Code (3) - full chorus, calls continuous and overlapping, number of individuals cannot be estimated

***Wind Codes (Beaufort Wind Scale)**

Code	Wind Speed (km/h)	Description	Visual Cues
0	2	Calm	Smoke rises vertically
1	3	Light	Smoke drifts
2	8	Light Breeze	Leaves rustle
3	16	Gentle Breeze	Lighter branches sway
4	15	Moderate Breeze	Dust rises, branches move
5	33	Fresh Breeze	Small trees sway
6	45	Strong Breeze	Larger branches move

****Precipitation Codes**

0 - no precipitation	3 - heavy rain	6 - freezing rain
1 - fog/mist	4 - thunderstorm	
2 - light rain	5 - snow	

Anuran Breeding Call Survey Form



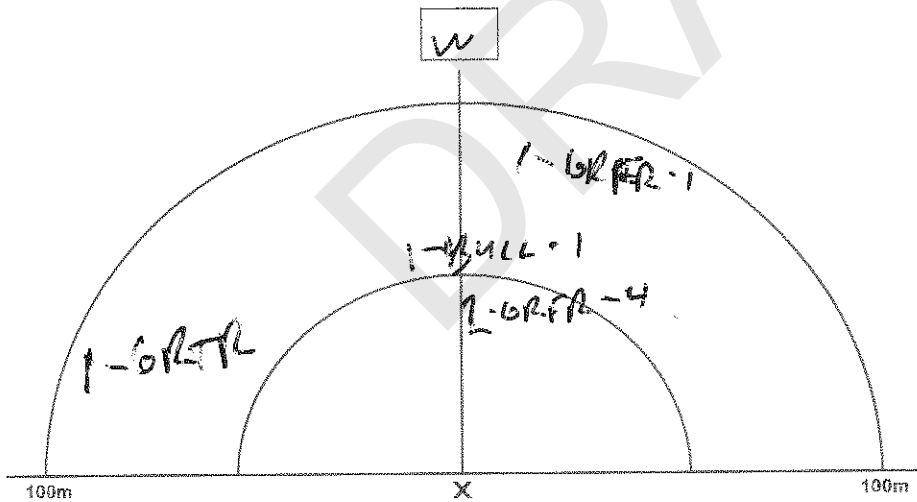
AET Group Inc.
531 Wellington St. North
Kitchener, Ontario N2H 5L6
T: (519) 576-9723
F: (519) 570-9589
info@aet-group.com

Project Name: Ernestown		Project No. EC-50	
Date(dd/mm/yr): 29/06/09	Field Personnel (Initials): MB	Start Time (24hr): 21:21	End Time (24hr): 22:24

Weather:			
Wind Code*: 2	Cloud Cover (%): 50	Air Temp (°C): 18	
Precipitation Code**: 0	Precipitation in last 24hrs: <input checked="" type="checkbox"/> Yes <input type="checkbox"/> No		

Survey Site Description			
Site ID: 1	UTM Co-od (DMS): North: _____ West: _____		GPS Accuracy (±): _____
Hydroperiod: <input type="checkbox"/> Permanent <input type="checkbox"/> Semi-permanent <input type="checkbox"/> Seasonal			
% of major veg. type in 100m radius (should add to 100%): <input type="checkbox"/> Nil <input type="checkbox"/> Submerged <input type="checkbox"/> % <input type="checkbox"/> Open Water/Floating <input type="checkbox"/> % <input type="checkbox"/> Emergents <input type="checkbox"/> % <input type="checkbox"/> Shrubs <input type="checkbox"/> % <input type="checkbox"/> Trees <input type="checkbox"/> %			

Other Species Observations/Comments:



Species	In*	Out**
AMTO		
BCFR		
BULL	<input checked="" type="checkbox"/>	
CHFR		
CGTR		
FOTO		
GRFR	<input checked="" type="checkbox"/>	
GRTR	<input checked="" type="checkbox"/>	
MIFR		
NLFR		
PIFR		
SPPE		
WOFR		

* Check if species is calling from inside 100m-sample area

** Check if species is calling from outside 100-metre sample area

Call Level Codes
Code (1) - Calls not simultaneous, number of individuals can be accurately counted
Code (2) - Some calls simultaneous, number of individuals can be reliably estimated
Code (3) - full chorus, calls continuous and overlapping, number of individuals cannot be estimated

*Wind Codes (Beaufort Wind Scale)			
Code	Wind Speed (km/h)	Description	Visual Cues
0	2	Calm	Smoke rises vertically
1	3	Light	Smoke drifts
2	8	Light Breeze	Leaves rustle
3	16	Gentle Breeze	Lighter branches sway
4	15	Moderate Breeze	Dust rises, branches move
5	33	Fresh Breeze	Small trees sway
6	45	Strong Breeze	Larger branches move

**Precipitation Codes		
0 - no precipitation	3 - heavy rain	6 - freezing rain
1 - fog/mist	4 - thunderstorm	
2 - light rain	5 - snow	

Amphibian Breeding Call Survey Form



AET Group Inc.
531 Wellington St. North
Kitchener, Ontario N2H 5L6
T: (519) 576-9723
F: (519) 570-9589
info@aet-group.com

Project Name: Ernestown		Project No. EC-50	
Date(dd/mm/yr): 29/06/09	Field Personnel (Initials): MB	Start Time (24hr): 21:59	End Time (24hr): 22:02

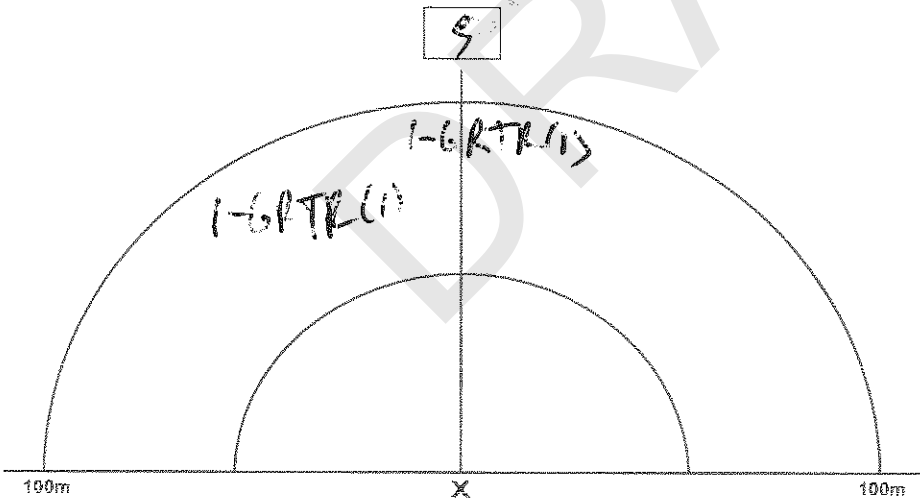
Weather:

Wind Code*: 2	Cloud Cover (%): 50	Air Temp (°C): 18
Precipitation Code**: 0	Precipitation in last 24hrs: <input checked="" type="checkbox"/> Yes <input type="checkbox"/> No	

Survey Site Description

Site ID: F5 4	UTM Co-od (DMS): North: _____ West: _____	GPS Accuracy (±):
Hydroperiod: <input type="checkbox"/> Permanent <input type="checkbox"/> Semi-permanent <input type="checkbox"/> Seasonal		
% of major veg. type in 100m radius (should add to 100%): <input type="checkbox"/> Nil <input type="checkbox"/> Submerged <input type="checkbox"/> % <input type="checkbox"/> Open Water/Floating <input type="checkbox"/> % <input type="checkbox"/> Emergents <input type="checkbox"/> % <input type="checkbox"/> Shrubs <input type="checkbox"/> % <input type="checkbox"/> Trees <input type="checkbox"/> %		

Other Species Observations/Comments:



Species	In*	Out**
AMTO		
BCFR		
BULL		
CHFR		
CGTR		
FOTO		
GRFR		
GRTR	<input checked="" type="checkbox"/>	
MIFR		
NLFR		
PIFR		
SPPE		
WOFR		

* Check if species is calling from inside 100m-sample area

** Check if species is calling from outside 100-metre sample area

Call Level Codes

Code (1) - Calls not simultaneous, number of individuals can be accurately counted
Code (2) - Some calls simultaneous, number of individuals can be reliably estimated
Code (3) - full chorus, calls continuous and overlapping, number of individuals cannot be estimated

***Wind Codes (Beaufort Wind Scale)**

Code	Wind Speed (km/h)	Description	Visual Cues
0	2	Calm	Smoke rises vertically
1	3	Light	Smoke drifts
2	8	Light Breeze	Leaves rustle
3	16	Gentle Breeze	Lighter branches sway
4	15	Moderate Breeze	Dust rises, branches move
5	33	Fresh Breeze	Small trees sway
6	45	Strong Breeze	Larger branches move

****Precipitation Codes**

0 - no precipitation	3 - heavy rain	6 - freezing rain
1 - fog/mist	4 - thunderstorm	
2 - light rain	5 - snow	

Amphibian Breeding Call Survey Form



AET Group Inc.
531 Wellington St. North
Kitchener, Ontario N2H 5L6
T: (519) 576-9723
F: (519) 570-9589
info@aet-group.com

Project Name: <i>Ernestown</i>		Project No. <i>EC-50</i>	
Date(dd/mm/yr): <i>29/06/09</i>	Field Personnel (Initials): <i>MB</i>	Start Time (24hr): <i>2154</i>	End Time (24hr): <i>2157</i>

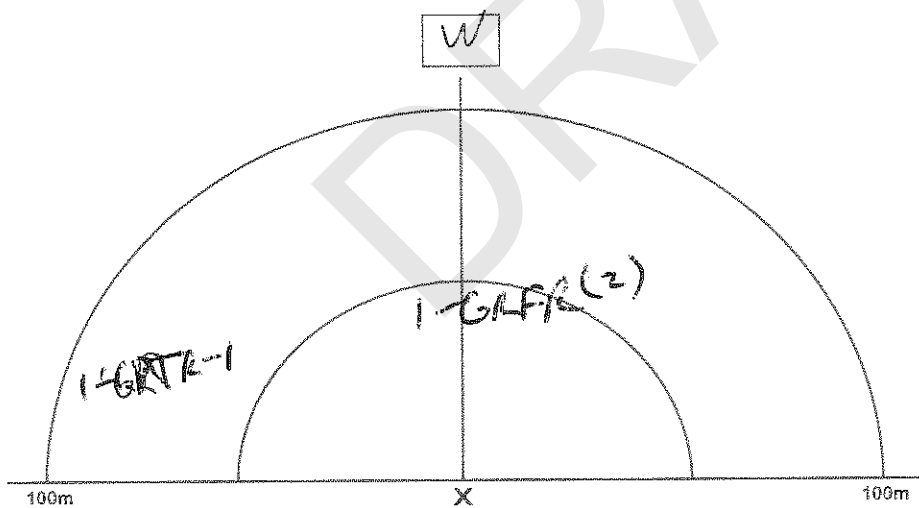
Weather:

Wind Code*: <i>2</i>	Cloud Cover (%): <i>50</i>	Air Temp (°C): <i>18</i>
Precipitation Code**: <i>0</i>	Precipitation in last 24hrs: <input checked="" type="checkbox"/> Yes <input type="checkbox"/> No	

Survey Site Description

Site ID: <i>FS-5</i>	UTM Co-od (DMS): North: _____ West: _____	GPS Accuracy (±): _____
Hydroperiod: <input type="checkbox"/> Permanent <input type="checkbox"/> Semi-permanent <input type="checkbox"/> Seasonal		
% of major veg. type in 100m radius (should add to 100%): <input type="checkbox"/> Nil <input type="checkbox"/> Submerged <input type="checkbox"/> % <input type="checkbox"/> Open Water/Floating <input type="checkbox"/> % <input type="checkbox"/> Emergents <input type="checkbox"/> % <input type="checkbox"/> Shrubs <input type="checkbox"/> % <input type="checkbox"/> Trees <input type="checkbox"/> %		

Other Species Observations/Comments:



Species	In*	Out**
AMTO		
BCFR		
BULL		
CHFR		
CGTR		
FOTO		
GRFR	<input checked="" type="checkbox"/>	
GRTR	<input checked="" type="checkbox"/>	<input checked="" type="checkbox"/>
MIFR		
NLFR		
PIFR		
SPPE		
WOFR		

* Check if species is calling from inside 100m-sample area

** Check if species is calling from outside 100-metre sample area

Call Level Codes

Code (1) - Calls not simultaneous, number of individuals can be accurately counted
Code (2) - Some calls simultaneous, number of individuals can be reliably estimated
Code (3) - full chorus, calls continuous and overlapping, number of individuals cannot be estimated

***Wind Codes (Beaufort Wind Scale)**

Code	Wind Speed (km/h)	Description	Visual Cues
0	2	Calm	Smoke rises vertically
1	3	Light	Smoke drifts
2	8	Light Breeze	Leaves rustle
3	16	Gentle Breeze	Lighter branches sway
4	15	Moderate Breeze	Dust rises, branches move
5	33	Fresh Breeze	Small trees sway
6	45	Strong Breeze	Larger branches move

****Precipitation Codes**

0 - no precipitation	3 - heavy rain	6 - freezing rain
1 - fog/mist	4 - thunderstorm	
2 - light rain	5 - snow	

Amphibian Breeding Call Survey Form



AET Group Inc.
531 Wellington St. North
Kitchener, Ontario N2H 5L6
T: (519) 576-9723
F: (519) 570-9589
info@aet-group.com

Project Name: Ernestown		Project No. EC-50	
Date(dd/mm/yr): 29/06/09	Field Personnel (Initials): MB	Start Time (24hr): 21:35	End Time (24hr): 21:38

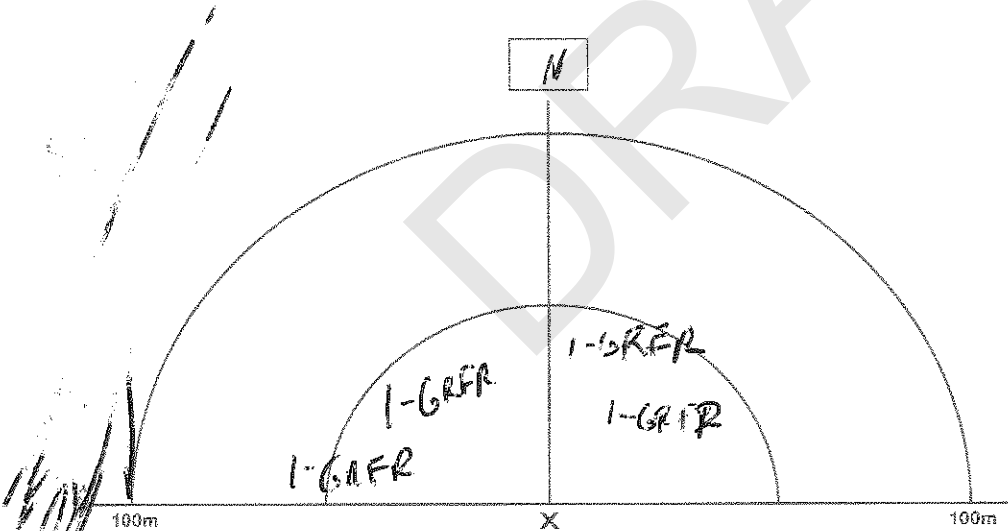
Weather:

Wind Code*: 2	Cloud Cover (%): 50	Air Temp (°C): 18
Precipitation Code**: 0	Precipitation in last 24hrs: <input checked="" type="checkbox"/> Yes <input type="checkbox"/> No	

Survey Site Description

Site ID: T-6	UTM Co-od (DMS): North: _____ West: _____	GPS Accuracy (±): _____
Hydroperiod: <input type="checkbox"/> Permanent <input type="checkbox"/> Semi-permanent <input type="checkbox"/> Seasonal		
% of major veg. type in 100m radius (should add to 100%): <input type="checkbox"/> Nil <input type="checkbox"/> Submerged <input type="checkbox"/> % <input type="checkbox"/> Open Water/Floating <input type="checkbox"/> % <input type="checkbox"/> Emergents <input type="checkbox"/> % <input type="checkbox"/> Shrubs <input type="checkbox"/> % <input type="checkbox"/> Trees <input type="checkbox"/> %		

Other Species Observations/Comments:



Species	In*	Out**
AMTO		
BCFR		
BULL		
CHFR		
CGTR		
FOTO		
GRFR	<input checked="" type="checkbox"/>	<input checked="" type="checkbox"/>
GRTR		
MIFR		
NLFR		
PIFR		
SPPE		
WOFR		

* Check if species is calling from inside 100m-sample area

** Check if species is calling from outside 100-metre sample area

Call Level Codes

Code (1) - Calls not simultaneous, number of individuals can be accurately counted
Code (2) - Some calls simultaneous, number of individuals can be reliably estimated
Code (3) - full chorus, calls continuous and overlapping, number of individuals cannot be estimated

***Wind Codes (Beaufort Wind Scale)**

Code	Wind Speed (km/h)	Description	Visual Cues
0	2	Calm	Smoke rises vertically
1	3	Light	Smoke drifts
2	8	Light Breeze	Leaves rustle
3	16	Gentle Breeze	Lighter branches sway
4	15	Moderate Breeze	Dust rises, branches move
5	33	Fresh Breeze	Small trees sway
6	45	Strong Breeze	Larger branches move

****Precipitation Codes**

0 - no precipitation	3 - heavy rain	6 - freezing rain
1 - fog/mist	4 - thunderstorm	
2 - light rain	5 - snow	