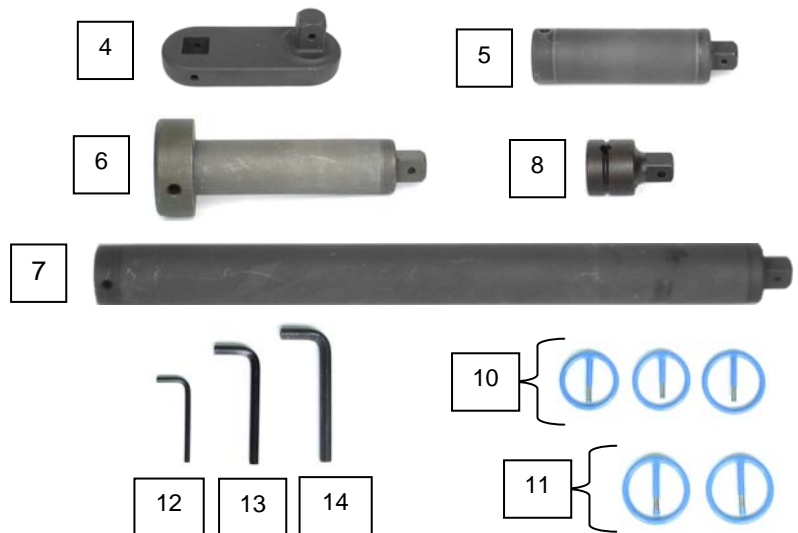
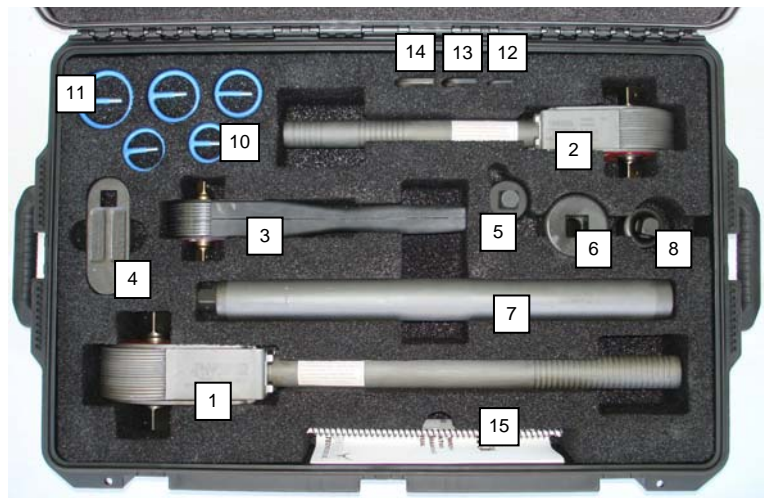




Manual Impact Wrench Kit NSN 5120-01-558-8751 P/N 41-95000-00



Items shown are not to scale

ITEM	NSN	MFR P/N	DESCRIPTION
1	5120-00-440-8011	41-91000-00	MANUAL IMPACT WRENCH, MODEL 1000
2	5120-00-440-8047	41-90750-00	MANUAL IMPACT WRENCH, MODEL 750
3	5120-01-562-9497	41-90625-50	MANUAL IMPACT WRENCH, MODEL 625-50
4	5120-01-151-1824	41-70783-01	OFFSET LINK, LONG, 3/4" DRIVE
5	5130-00-449-6656	41-70780-00	EXTENSION, 6", 3/4" DRIVE
6	5120-01-164-1455	42-71002-00	EXTENSION, 7", 1" DRIVE
7	5120-01-558-7572	41-95001-00	EXTENSION, 20", 3/4" DRIVE
8	5120-01-558-7573	41-93001-00	ADAPTER, 1" F to 3/4" M
9		41-95002-00	CASE W/ FOAM INSERT
10	5120-01-558-6374	41-95003-00	SET, RETAINING RING, 3/4" DRIVE
11	5120-01-558-6373	41-95004-00	SET, RETAINING RING, 1" DRIVE
12		91-24001-00	ALLEN WRENCH, 3/16" HEX
13		91-24002-00	ALLEN WRENCH, 5/16" HEX
14		91-24003-00	ALLEN WRENCH, 3/8" HEX
15		41-22121-34	OPERATOR & MAINTENANCE MANUAL