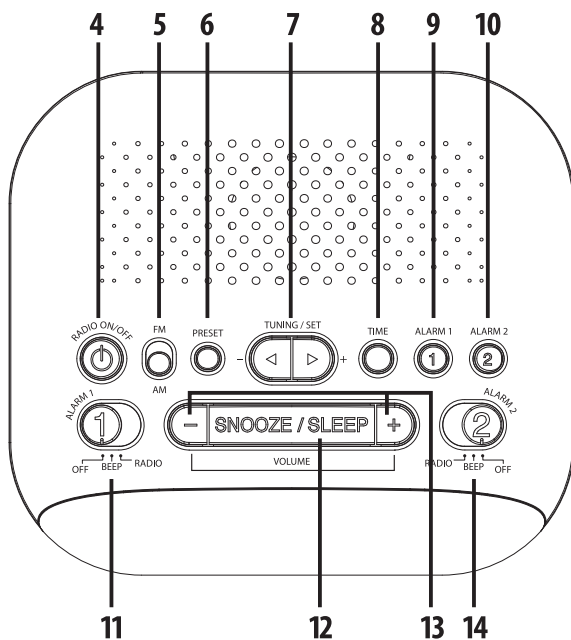
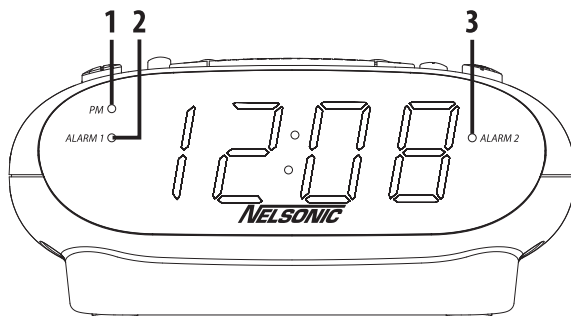


NLC695 Alarm Clock Radio with Dual Alarm

Thank you for your purchase of this quality clock. The utmost care has gone into the design and manufacture of your clock. Please read these instructions and store them in a safe place for future reference.

Controls

1. PM Indicator
2. Alarm 1 Indicator
3. Alarm 2 Indicator
4. Radio ON/OFF button
5. AM/FM Switch
6. Preset button
7. Tuning/Set (-/+) button
8. Time button
9. Alarm 1 button
10. Alarm 2 button
11. Alarm 1 switch
12. Snooze/Sleep button
13. Volume +/-
14. Alarm 2 switch



Connecting to the Power Supply

- Begin by plugging in the AC adapter into a standard household outlet.

Setting the Time

- While the radio is off, press and hold the **TIME** button and the hour digit will flash. Release **TIME** button.
- Use the **SET +/-** button to advance to the correct hour. The **PM** indicator will light when the hour is advanced into the PM time.
- Press the **TIME** button to confirm and the minute digit will flash.
- Use the **SET +/-** button to advance to the correct minute.
- Press the **TIME** button to confirm.

Setting the Alarm

- To set the alarm time, follow the Setting the Time steps, using **ALARM 1/2** button, instead of the **TIME** button.

Using the Alarm Function

- Use the **ALARM 1/2** switch to select wake to beep or radio and **ALARM** indicator will light up.
- The beep or radio will come on at the set time.
- To stop the alarm, press the **RADIO ON/OFF** button. The alarm will sound again the next day.
- To turn the alarm off completely, use the **ALARM 1/2** switch to the **OFF** position and the alarm indicator is no longer visible.

NOTE: While the beep alarm volume is fixed and cannot be adjusted, the radio alarm volume can be adjusted to your desired level using the **VOLUME** buttons. To select a radio station to wake up to, see the section on "Listening to the Radio".

Listening to the Radio

- Press the **RADIO ON/OFF** button to turn on the radio
- Slide the **AM/FM** switch to select **AM** or **FM** band.
- Press and hold the **<TUNING>** buttons to start automatic tuning up/down. Release the button when the unit is receiving a station you would like to listen to. For manual fine-tuning, you can press it briefly to adjust the frequency step by step.
- Press the **VOLUME +/-** buttons to adjust the volume level.
- Press the **RADIO ON/OFF** button to turn off the radio.

FOR OPTIMUM RECEPTION:

In **AM** mode, orientate the unit to achieve optimum reception.
In **FM** mode, extend and position the FM antenna to achieve optimum reception.

Preset Radio Stations

You can store up to 10 stations for AM and up to 10 stations for FM.

- Use the **<TUNING>** buttons to search for a station. Press and hold the **PRESET** button to store the station and a number to be assigned for the preset will flash.
- Press the **PRESET** button again to confirm the preset.
- Repeat the above steps to store other stations.

LISTENING TO A PRESET STATION:

While listening to the radio, press the **PRESET** button to select a preset station. The current time is always displayed. When you change to radio mode, the frequency will be displayed for 5 seconds and then the unit will go back to display the current time.

Snooze & Sleep Function

SNOOZE

- When the alarm sounds, press the **SNOOZE** button to pause the alarm, the alarm indicator will flash & sound again in 9 minutes.

SLEEP

- With this function you can listen to the radio up to 120 minutes, after which it will turn off automatically.
- While the radio is on, press the **SLEEP** button repeatedly to select the duration: 120, 90... 5 minutes or **OFF**.
- At the end of the set time, the radio turns off automatically.
- To cancel the sleep function before the end of the set time, press the **RADIO ON/OFF** button to turn off the radio immediately.

Using the Battery Back Up

- Insert two "AA" batteries into the battery compartment at the bottom of clock. The battery will keep the alarm and time settings until the power is restored. The LED display will not light-up but the alarm will sound at the preset alarm time. If there is no battery installed but the power is interrupted, the display will flash at 12:00 and the time and alarm need to be set again.

Battery Warning

- Clean the battery contacts and also those of the device prior to battery installation.
- Follow the polarity (+) & (-) to place battery.
- Don't mix old and new batteries.
- Don't mix Alkaline, Standard (Carbon-Zinc), or Rechargeable (Nickel-Cadmium) batteries.
- Incorrect battery placement will damage the clock movement and battery may leak.
- Exhausted battery is to be removed from the product.
- Remove batteries from equipment which is not to be used for an extended period of time.
- Don't dispose of batteries in fire. Batteries may explode or leak.

FCC Information

NOTE: This equipment has been tested and found to comply with the limits for a Class B digital device, pursuant to Part 15 of the FCC Rules. These limits are designed to provide reasonable protection against harmful interference in a residential installation. This equipment generates, uses and can radiate radio frequency energy and, if not installed and used in accordance with the instructions, may cause harmful interference to radio communications. However, there is no guarantee that interference will not occur in a particular installation. If this equipment does cause harmful interference to radio or television reception, which can be determined by turning the equipment off and on, the user is encouraged to try to correct the interference by one or more of the following measures:

- Reorient or relocate the receiving antenna.
- Increase the separation between the equipment and receiver.
- Connect the equipment into an outlet on a circuit different from that to which the receiver is connected.
- Consult the dealer or an experienced radio/TV technician for help.

Digital Alarm Clock



This lightning flash and arrowhead within the triangle is a warning sign alerting you of "dangerous voltage" inside the product.

CAUTION

**RISK OF ELECTRIC SHOCK
DO NOT OPEN**



The exclamation point within the triangle is a warning sign alerting you of important instructions accompanying the product

CAUTION: TO REDUCE THE RISK OF ELECTRIC SHOCK, DO NOT REMOVE COVER (ON BACK). NO USER SERVICEABLE PARTS INSIDE. REFER SERVICING TO QUALIFIED SERVICE PERSONNEL.

**WARNING: TO REDUCE THE RISK OF FIRE OR ELECTRIC SHOCK,
DO NOT EXPOSE THIS APPLIANCE TO RAIN OR MOISTURE.**

CAUTION: TO PREVENT ELECTRIC SHOCK DO NOT USE THIS (POLARIZED) PLUG WITH AN EXTENSION CORD, RECEPTACLE, OR OTHER OUTLET UNLESS THE BLADES CAN BE FULLY INSERTED TO PREVENT BLADE EXPOSURE.

Please read this before operating your unit.

Safety Instructions

- Read these instructions - All the safety and operating instructions should be read before this product is operated.
- Keep these instructions - The safety and operating instructions should be retained for future reference.
- Heed all warnings - All warnings on the appliance and in the operating instructions should be adhered to.
- Follow all instructions - All operating and use instructions should be followed.
- Do not use this apparatus near water - The appliance should not be used near water or moisture - for example, in a wet basement or near a swimming pool, and the like.
- Clean only with dry cloth.
- Do not block any ventilation openings, Install in accordance with the manufacturer's instructions.
- Do not install near any heat sources such as radiators, heat registers, stoves, or other apparatus (including amplifiers) that produce heat.
- Do not defeat the safety purpose of the polarized or grounding - type plug. A polarized plug has two blades with one wider than the other. A grounding type plug has two blades and a third grounding prong. The wide blade or the third prong are provided for your safety. If the provided plug does not fit into your outlet, consult an electrician for replacement of the obsolete outlet.
- Protect the power cord from being walked on or pinched particularly at the plugs, convenience receptacles, and at the point where they exit from the apparatus.
- Only use attachments/accessories specified by the manufacturer.
- Use only with the cart, stand, tripod, bracket, or table specified by the manufacturer, or sold with the apparatus. When a cart or rack is used, use caution when moving the cart/apparatus combination to avoid injury from tip - over.



- Unplug the apparatus during lightning storms or when unused for long periods of time.
- Refer all servicing to qualified personnel. Servicing is required when the apparatus has been damaged in any way, such as power supply cord or plug is damaged, liquid has been spilled or objects have fallen into the apparatus has been exposed to rain or moisture, does not operate normally, or has been dropped.
- Please keep the unit in a good ventilation environment.
- CAUTION: These servicing instructions are for use by qualified service personnel only. To reduce the risk of electric shock, do not perform any servicing other than that contained in the operating instructions unless you are qualified to do so.

WARNING: The mains plug is used as disconnect device, the disconnect device shall remain readily operable. This equipment is a Class II or double insulated electrical appliance. It has been designed in such a way that it does not require a safety connection to electrical earth. Do not install this equipment in a confined or building-in space such as a book case or similar unit, and remain a well ventilation conditions. The ventilation should not be impeded by covering the ventilation openings with items such as newspaper, table-cloths, curtains etc.

WARNING: All above markings were located on the external enclosure of the apparatus, except for label of Date Code was pasted inside the battery compartment. The apparatus shall not be exposed to dripping or splashing and that objects filled with liquids, such as vases, shall not be placed on apparatus.

Caution: Changes or modifications not expressly approved by the party responsible for compliance could void the user's authority to operate the equipment.

WARNING: The battery shall not be exposed to excessive heat such as sunshine, fire or the like.