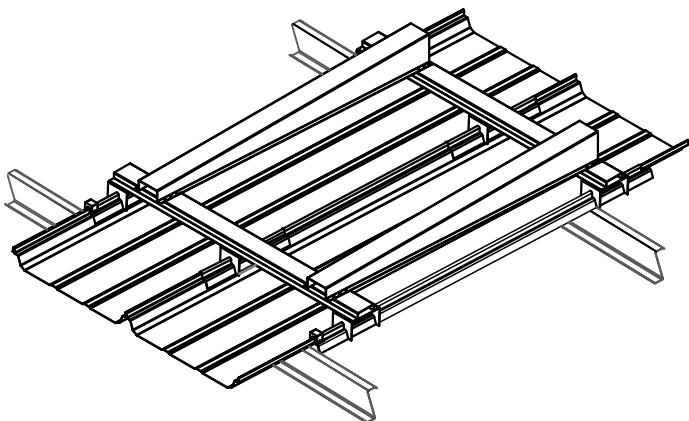


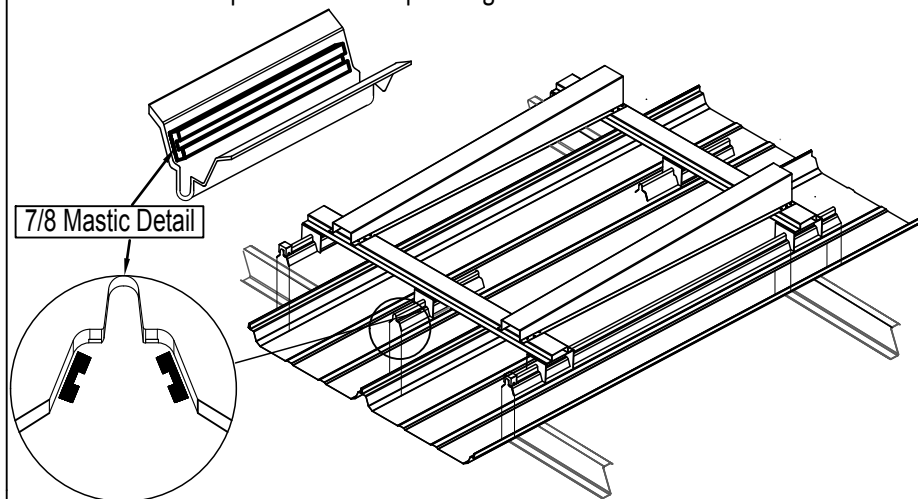
1

Make every Effort to position RAC over two(2) purlins to transfer weight to roof clips. Mark location with felt marker. Note: Never use a lead pencil on a metal roof.



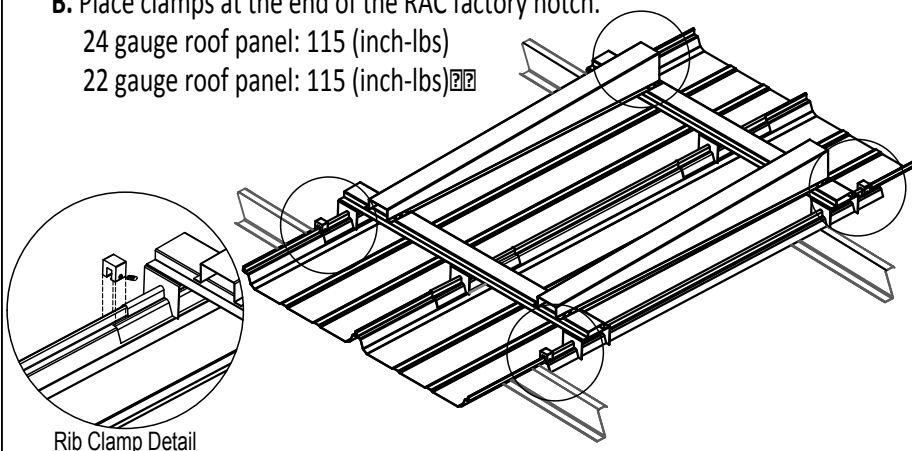
2

Apply 7/8" mastic to the underside of RAC mounts on both sides as shown. The mastic is used to protect the roof panel against metal to metal contact.



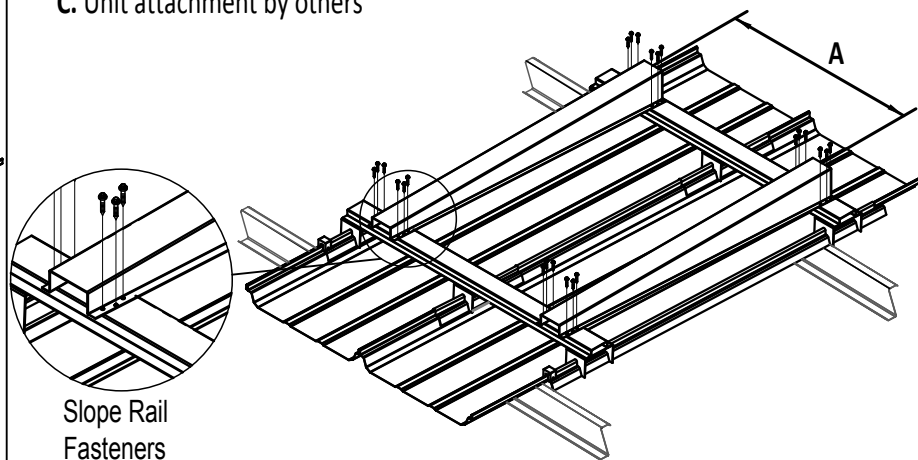
3

- A. After the RAC is placed over the roof ribs press firmly to seat the RAC onto the ribs of the roof panel.
- B. Place clamps at the end of the RAC factory notch.
 24 gauge roof panel: 115 (inch-lbs)
 22 gauge roof panel: 115 (inch-lbs) [?]



4

- A. Position slope rails to align with condenser dimension.
- B. Use 3 fasteners per point x 8 points= 24 fasteners
- C. Unit attachment by others



TEL: 800-683-5848
 FAX: 800-683-5849

TITLE:

FAST-RAC ROOF PLATFORM SYSTEM

DWG. NO.

DO NOT SCALE DRAWING

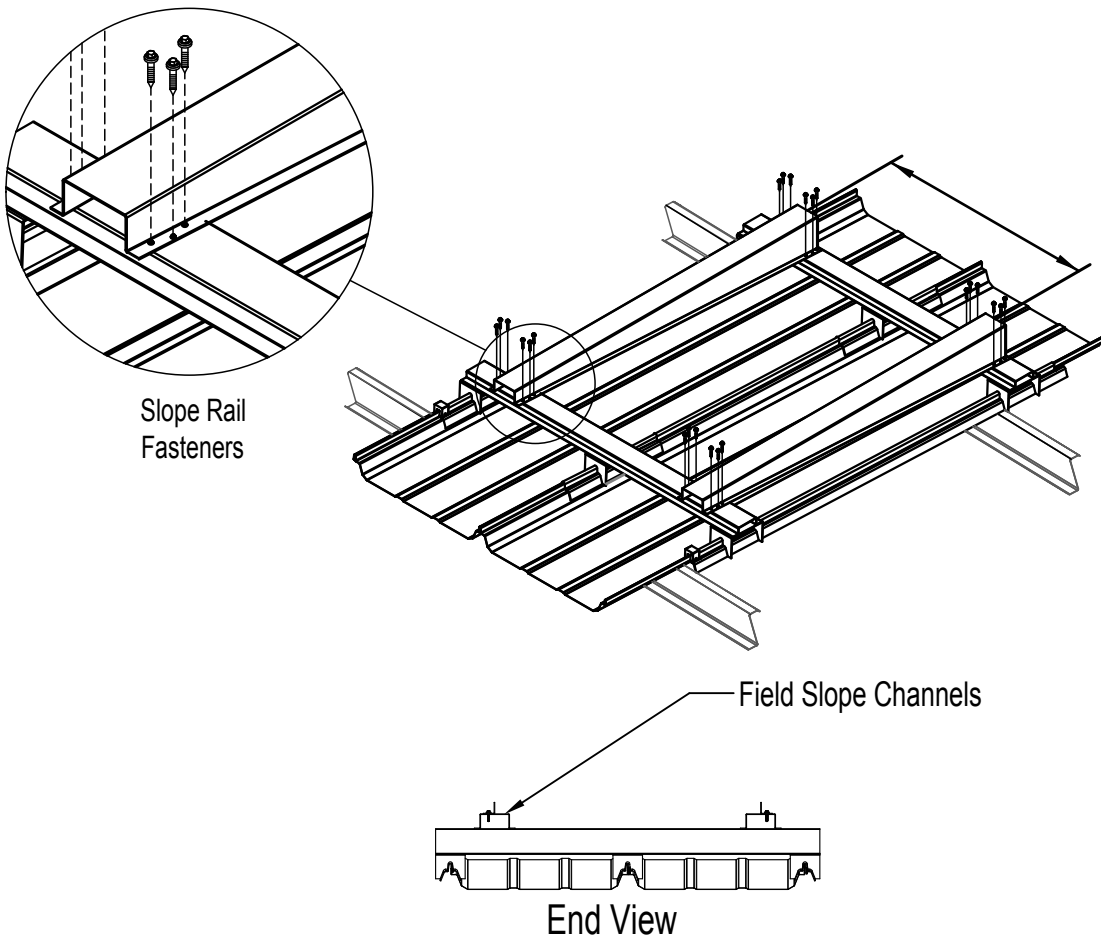
	NAME	DATE
DRAWN		
CHECKED		

Fast-Rac Roof Platform System

Trapezoidal Standing Seam Panels

4

- A. Position slope rails to align with condenser dimension.
- B. Use 3 fasteners per point x 8 points= 24 fasteners
- C. Unit attachment by others



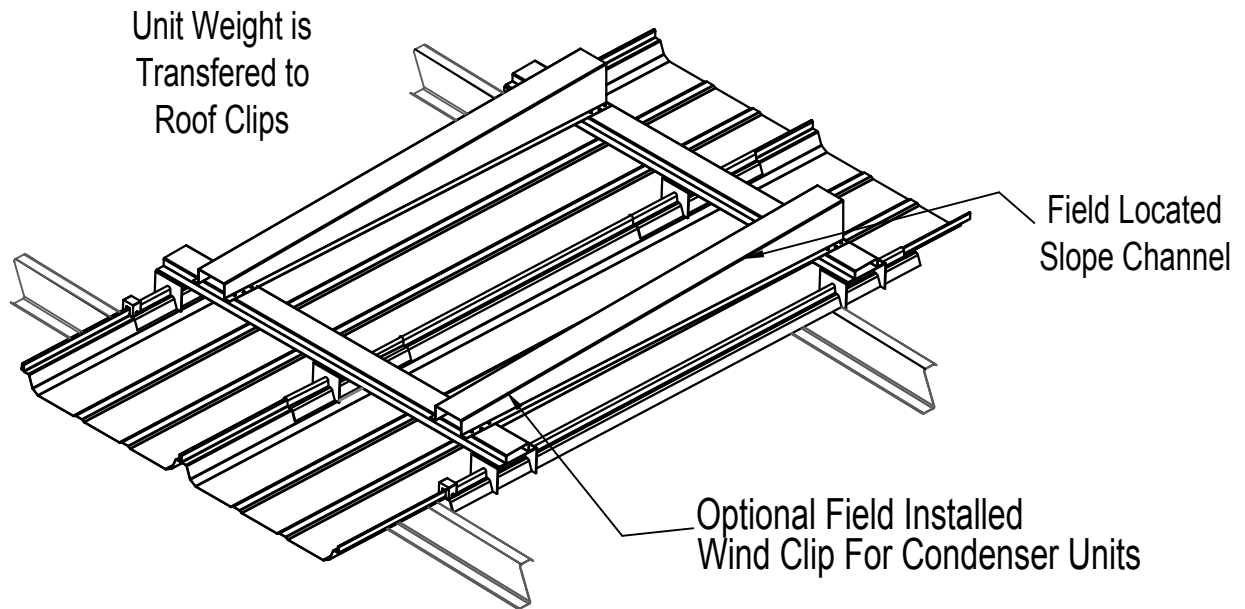
TITLE:	FAST-RAC ROOF PLATFORM SYSTEM		NAME	DATE
		DRAWN		
	DO NOT SCALE DRAWING	CHECKED		

Fast-Rac Roof Platform System

Trapezoidal Standing Seam Panels

1

Make every effort to position RAC over two(2) purlins to transfer weight to roof clips.
Mark location with felt marker. Note: Never use a lead pencil on a metal roof.



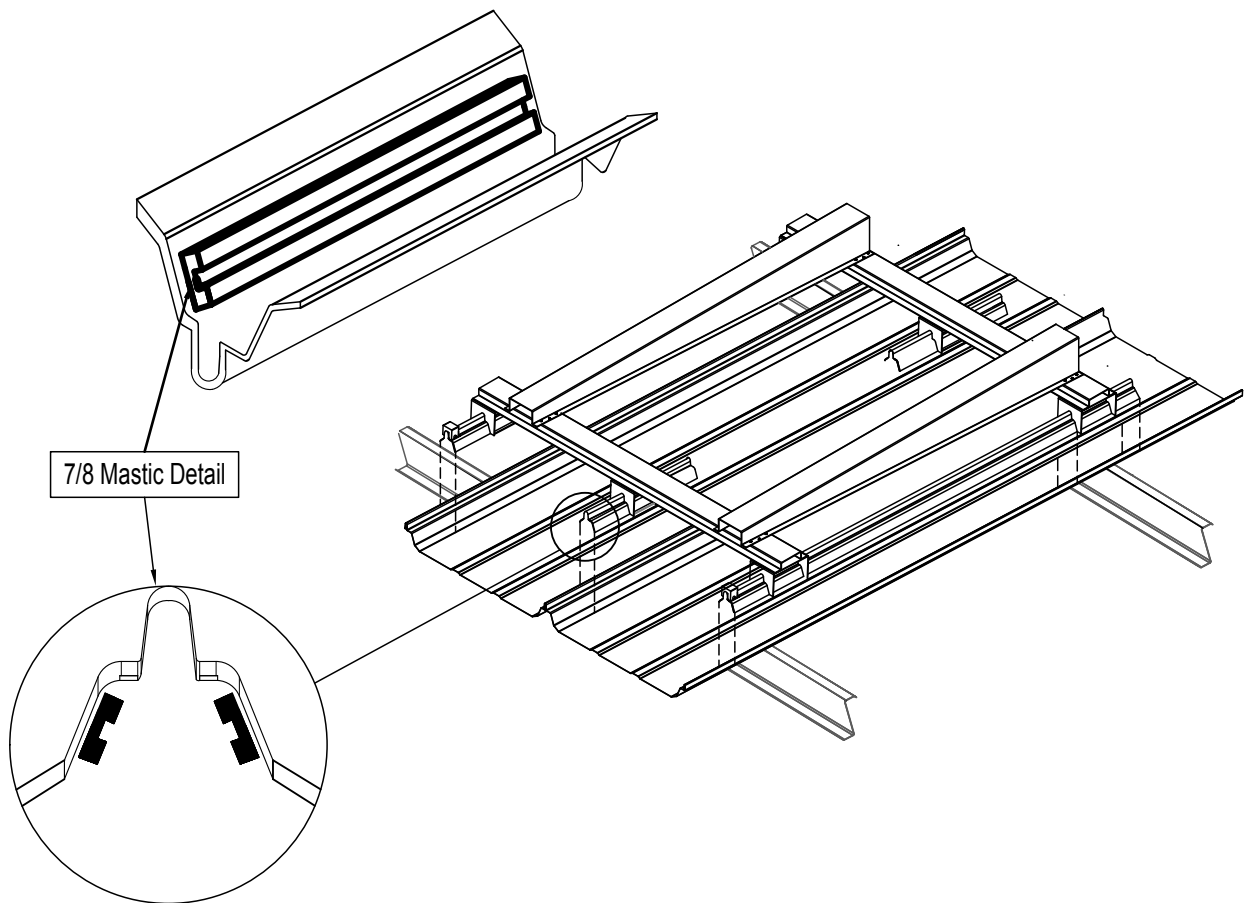
TITLE:		NAME	DATE
FAST-RAC ROOF PLATFORM SYSTEM			
	DRAWN		
DO NOT SCALE DRAWING	CHECKED		

Fast-Rac Roof Platform System

Trapezoidal Standing Seam Panels

2

Apply 7/8" mastic to the underside of RAC mounts on both sides as shown. The mastic is used to protect the roof panel against metal to metal contact.

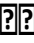


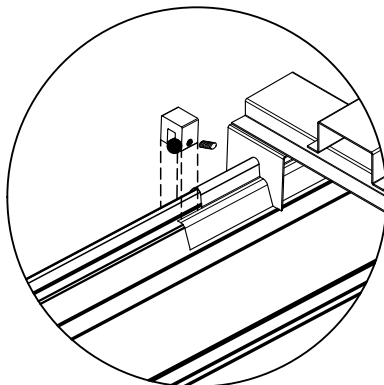
TITLE:		NAME	DATE
FAST-RAC ROOF PLATFORM SYSTEM			
DO NOT SCALE DRAWING	DRAWN		
	CHECKED		

Fast-Rac Roof Platform System

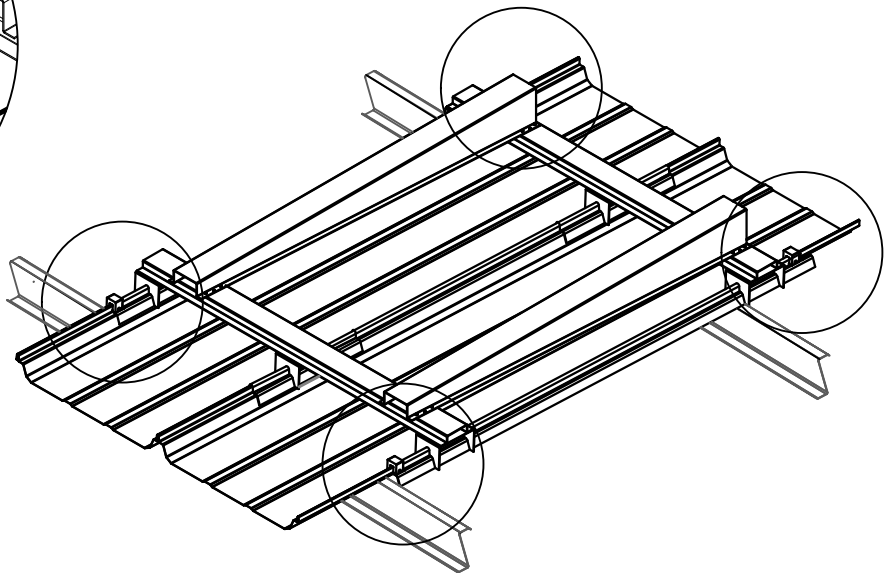
Trapezoidal Standing Seam Panels

3

- A.** After the RAC is placed over the roof ribs press firmly to seat the RAC onto the ribs of the roof panel.
- B.** Place clamps at the end of the RAC factory notch.
 - 24 gauge roof panel: 115 (inch-lbs)
 - 22 gauge roof panel: 115 (inch-lbs) 



Rib Clamp Detail



TITLE:		NAME	DATE
FAST-RAC ROOF PLATFORM SYSTEM			
DO NOT SCALE DRAWING	DRAWN		
	CHECKED		