

221 Series

Saint Ferrer® Sleeve and Washer Isolation Kit Model #221-SW3

Series Description

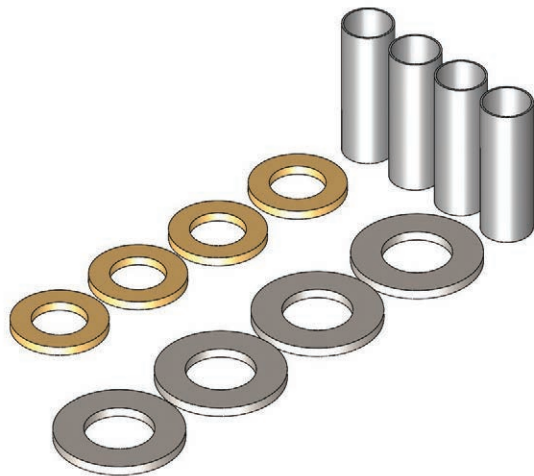
The **COMPLETE** rating of a flange isolation kit is limited to the maximum physical property of the lowest rated component.

The Saint Ferrer™ 221 Series contains phenolic washer and boPET sleeves that have a dielectric property limit of 400 (v/mil) and a temperature limit of 221° F. When choosing a sleeve and washer flange isolation kit, these values are subject to the dielectric and temperature rating of the selected flange gasket.

Model Features

Prepackaged Isolating Sleeve and Washers

- For the isolation of two flanges
- boPET Sleeves
- Phenolic Isolating Washers
- Electrodeposited Zinc Coated Backup Washers
- Isolation of joint limited to one side only
- Does not contain an isolating flange gasket

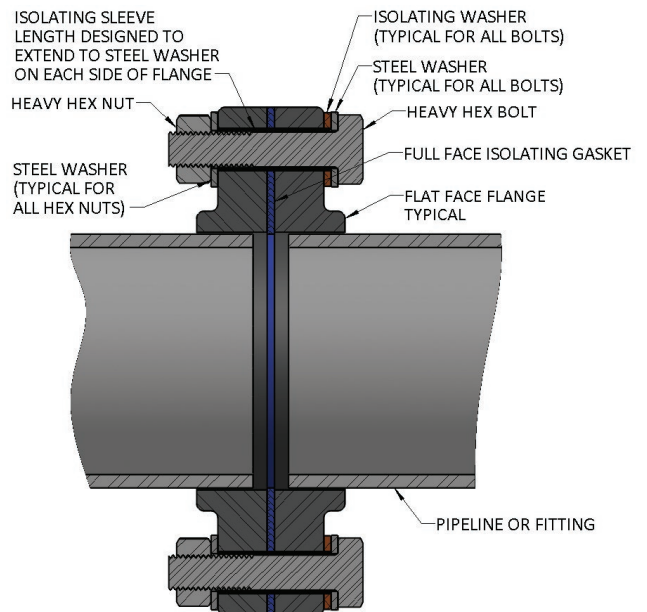


Limitations

Complete limitation subject to the selection of a flange gasket.

Limitations based on available information. A professional corrosion engineer shall confirm results.

| | Sleeve | Isolating Washer | Backing Washer |
|------------------------------------|-----------|------------------|--|
| ASTM Designation | ** | ** | ** |
| Grade Markings | ** | ** | ** |
| Maximum Temp F | 221 | 225 | ** |
| Dielectric Strength (V/mil) | 5000-6000 | 400 | ** |
| Materials | boPET | Phenolic | Low Carbon Electrodeposited Zinc Coating |
| Style/Thickness | ** | 0.125" +/- | 0.092" +/- |



Disclaimer of Accuracy or Quality: WestermannBG makes no warranty, express or implied, and does not assume any legal liability or responsibility for the accuracy or completeness of any information contained on, or derived from this sheet. This information is for the purpose of supporting selection and should be interpreted only by a licensed professional engineer with piping design experience.