

# 221 Series

## Saint Ferrer® Sleeve and Washer Isolation Kit

### Model #221-SW4

#### Series Description

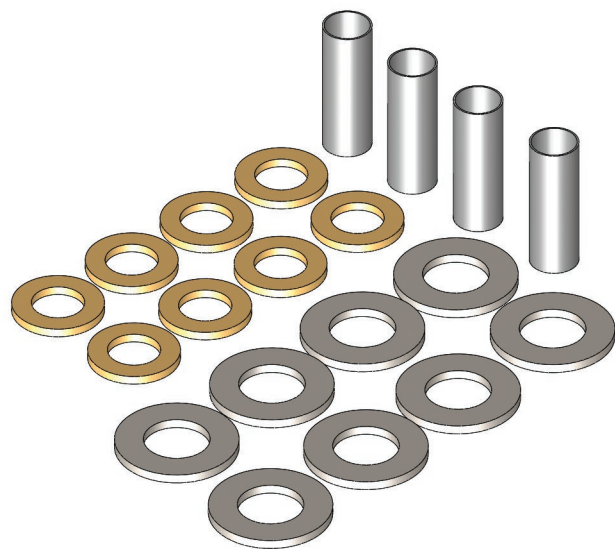
The COMPLETE rating of a flange isolation kit is limited to the maximum physical property of the lowest rated component.

The Saint Ferrer™ 221 Series contains phenolic washer and boPET sleeves that have a dielectric property limit of 400 (v/mil) and a temperature limit of 221° F. When choosing a sleeve and washer flange isolation kit, these values are subject to the dielectric and temperature rating of the selected flange gasket.

#### Model Features

Prepackaged Isolating Sleeve and Washers

- For the isolation of two flanges
- boPET Sleeves
- Phenolic Isolating Washers
- Electrodeposited Zinc Coated Backup Washers
- Isolation of joint contains both sides
- Does not contain an isolating flange gasket

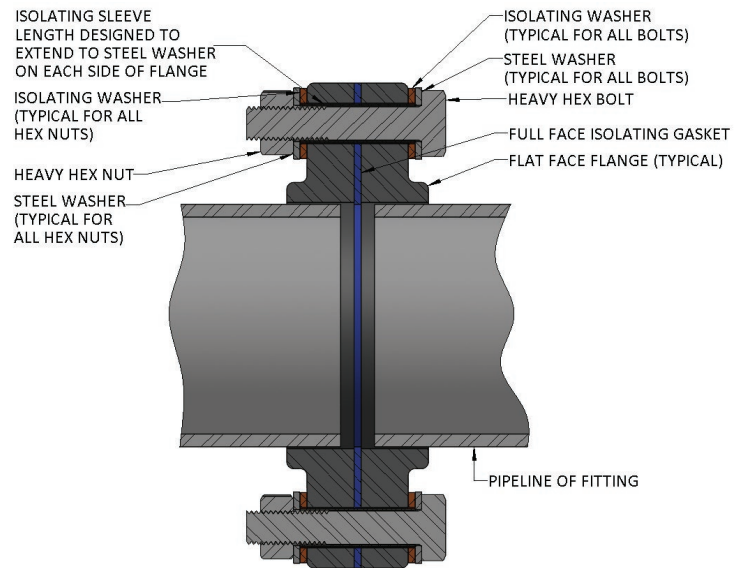


#### Limitations

Complete limitation subject to the selection of a flange gasket.

Limitations based on available information. A professional corrosion engineer shall confirm results.

	Sleeve	Isolating Washer	Backing Washer
ASTM Designation	**	**	**
Grade Markings	**	**	**
Maximum Temp F	221	225	**
Dielectric Strength (V/mil)	5000-6000	400	**
Materials	boPET	Phenolic	Low Carbon Electrodeposited Zinc Coating
Style/Thickness	**	0.125" +/-	0.092" +/-



**Disclaimer of Accuracy or Quality:** WestermannBG makes no warranty, express or implied, and does not assume any legal liability or responsibility for the accuracy or completeness of any information contained on, or derived from this sheet. This information is for the purpose of supporting selection and should be interpreted only by a licensed professional engineer with piping design experience.