

PREPARED BY: KS
 COSTELLO MARINE CONTRACTING CORP.
 P.O. BOX 2124, GREENPORT, N.Y. 11944
 (631)477-1199

VICINITY MAP
 N41° 04' 28" W72° 16' 59"
 (SHEET 1 OF 9)

APPLICANT: 58 TUTHILL DRIVE SI LLC
 C/O BRIAN CARROLL
ADDRESS: 276 OTTER ROCK DRIVE
 GREENWICH, CT 06830
JOB SITE: 58 TUTHILL DRIVE
 SHELTER ISLAND, NY 11964
SCTM#: 700-12-2-14.2
DATE: 07/20/23

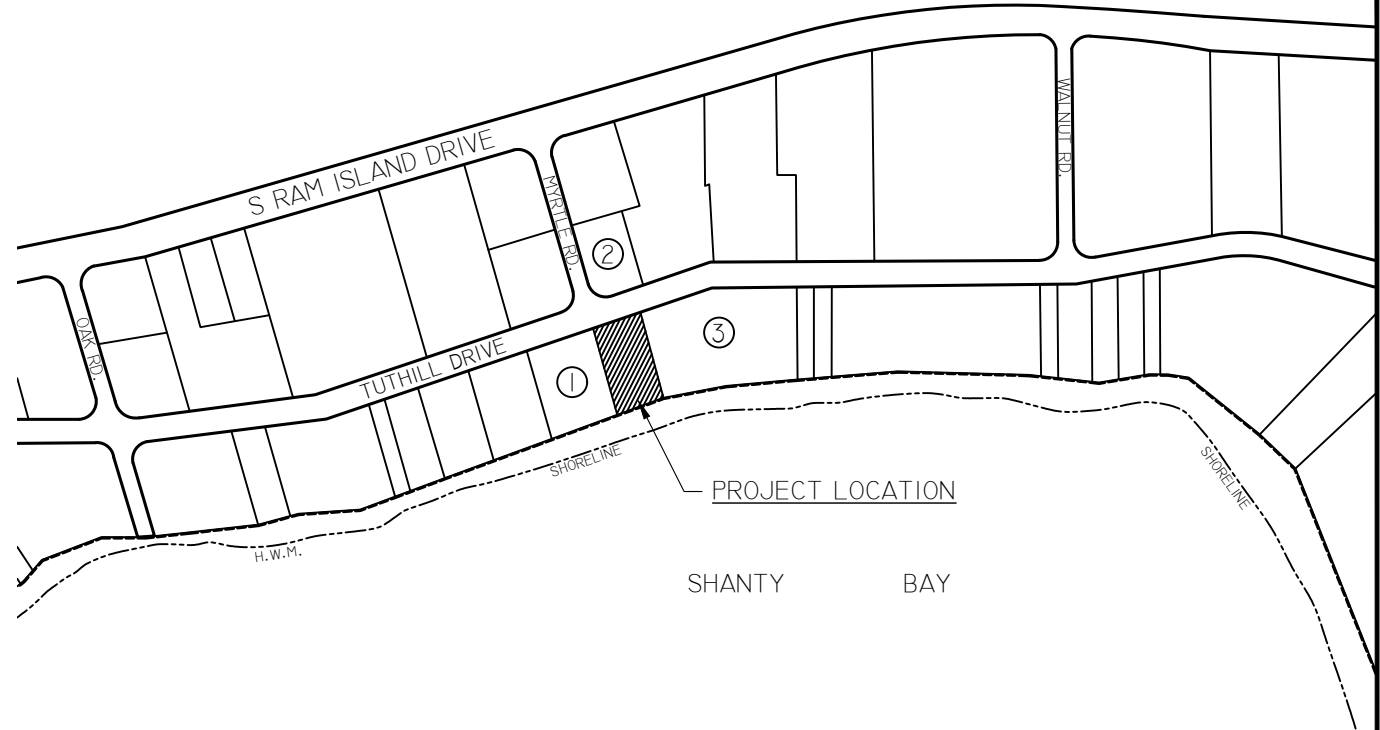


ADJACENT PROPERTY OWNERS

- ① CARROLL FAMILY 2012 TRUST AGREEMENT
276 OTTER ROCK DRIVE
GREENWICH, CT 06830
(56 TUTHILL DRIVE)
(SCMT# 700-12-2-12.1)

- ② 45 MYRTLE ROAD SI LLC
276 OTTER ROCK DRIVE
GREENWICH, CT 06830
(45 MYRTLE ROAD)
(SCTM# 700-12-1-15)

- ② WILLIAM F. & PAULA T MARKERT
6 PARK HILL COURT
MORRIS PLAINS, NJ 07950
(62 TUTHILL DRIVE)
(SCTM# 700-12-2-15)



PREPARED BY: KS
 COSTELLO MARINE CONTRACTING CORP.
 P.O. BOX 2124, GREENPORT, N.Y. 11944
 (631)477-1199

LOCATION MAP

N41° 04' 28" W72° 16' 59"

(SHEET 2 OF 9)

APPLICANT: 58 TUTHILL DRIVE SI LLC
 C/O BRIAN CARROLL
 ADDRESS: 276 OTTER ROCK DRIVE
 GREENWICH, CT 06830
 JOB SITE: 58 TUTHILL DRIVE
 SHELTER ISLAND, NY 11964
 SCTM#: 700-12-2-14.2
 DATE: 07/20/23

PROPOSED

- REMOVE EXISTING OFF SHORE PLATFORM.
- CONSTRUCT A NEW 4'x70' CATWALK LEADING TO A 3'x12' ALUMINUM RAMP ONTO A 8'x24' FLOAT SECURED WITH TWO ANCHOR PILING.
- INSTALL TWO 2-PILE 10"Ø MOORING DOLPHINS.
- CONSTRUCT 3' WIDE ACCESS STAIRS AT LANDWARD END AT BEACH.

MATERIALS:

DOCK:

PILINGS-DOCK: 10"Ø - CCA
CAPS: 4"x6" - CCA
STRINGERS: 4"x6" - CCA
DECKING: 5/4"x6" - PURPLEHEART

PILINGS-MOORING: 10"Ø - GREENHEART

FLOAT:

PILINGS: 10"Ø - CCA
STRINGERS: 4"x6" - CCA
CAPS: 4"x6" - CCA
FLOATATION: 48"x96"x16" BLACK BOX
DECKING: 5/4"x6" PURPLEHEART

STAIRS:

POSTS: 4"x4" - CCA
STRINGERS: 2"x10" - CCA
TREADS: 2"x10" - CCA
HANDRAILS: 5/4"x6" - TROPICAL HARDWOOD

HARDWARE: H.D.GALV. BOLTS / STN. STEEL DECK SCREWS

ACCESS:

BY WATER VIA BARGE AND BY LAND THROUGH APPLICANT'S PROPERTY

PREPARED BY: KS
COSTELLO MARINE CONTRACTING CORP.
P.O. BOX 2124, GREENPORT, N.Y. 11944
(631)477-1199

(SHEET 3 OF 9)

APPLICANT: 58 TUTHILL DRIVE SI LLC
C/O BRIAN CARROLL

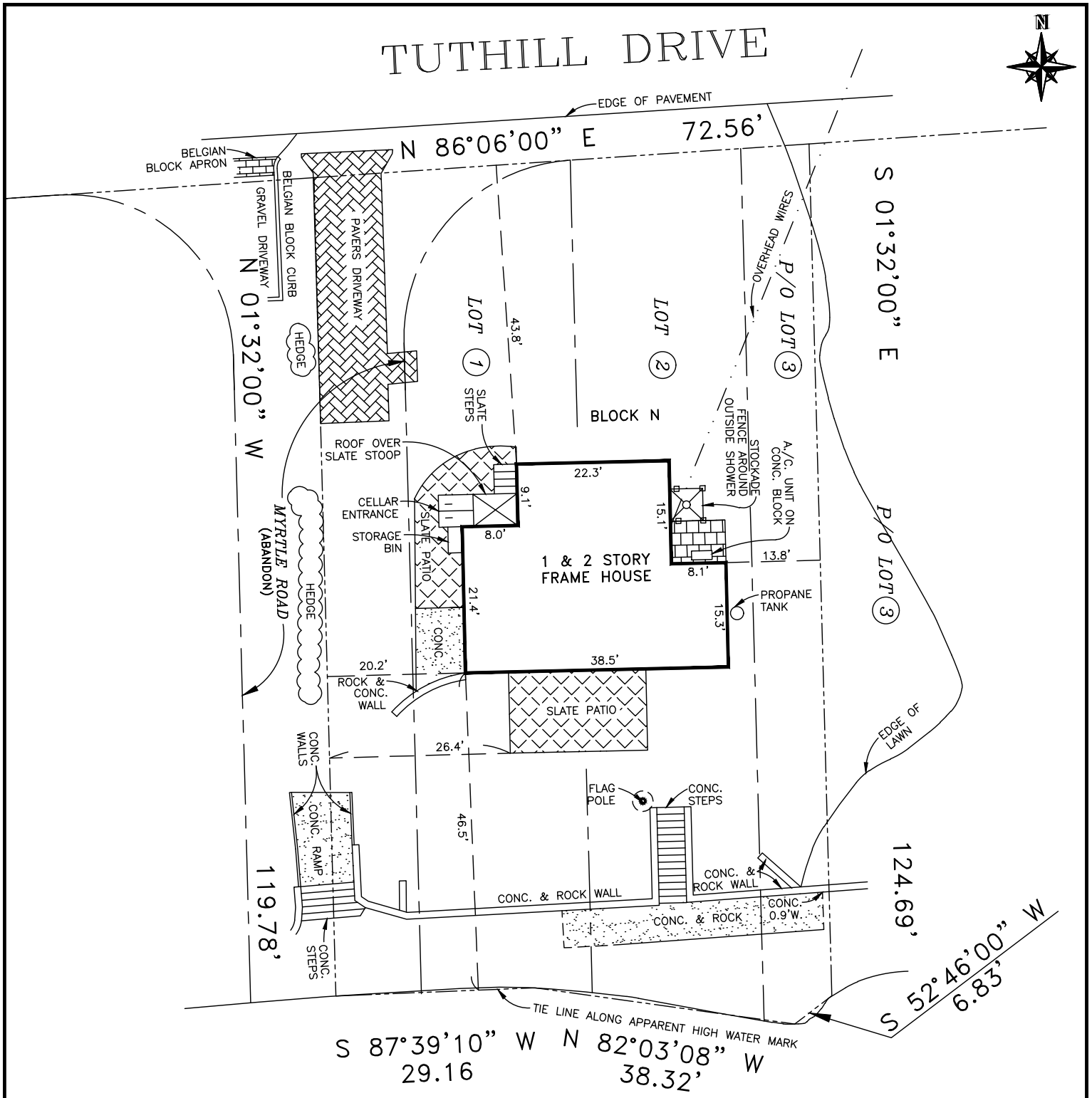
ADDRESS: 276 OTTER ROCK DRIVE
GREENWICH, CT 06830

JOB SITE: 58 TUTHILL DRIVE
SHELTER ISLAND, NY 11964

SCTM#: 700-12-2-14.2

DATE: 07/20/23

TUTHILL DRIVE

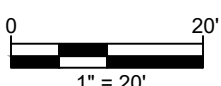


SHANTY BAY (COECLES HARBOR)

NOTE:
 INFORMATION IN THIS SITE MAP WAS
 REFLECTED FROM NATHAN TAFT CORWIN
 III LAND SURVEYOR DATED SEPTEMBER 26,
 2001. UPDATED APRIL 10, 2008 &
 SEPTEMBER 5, 2019.

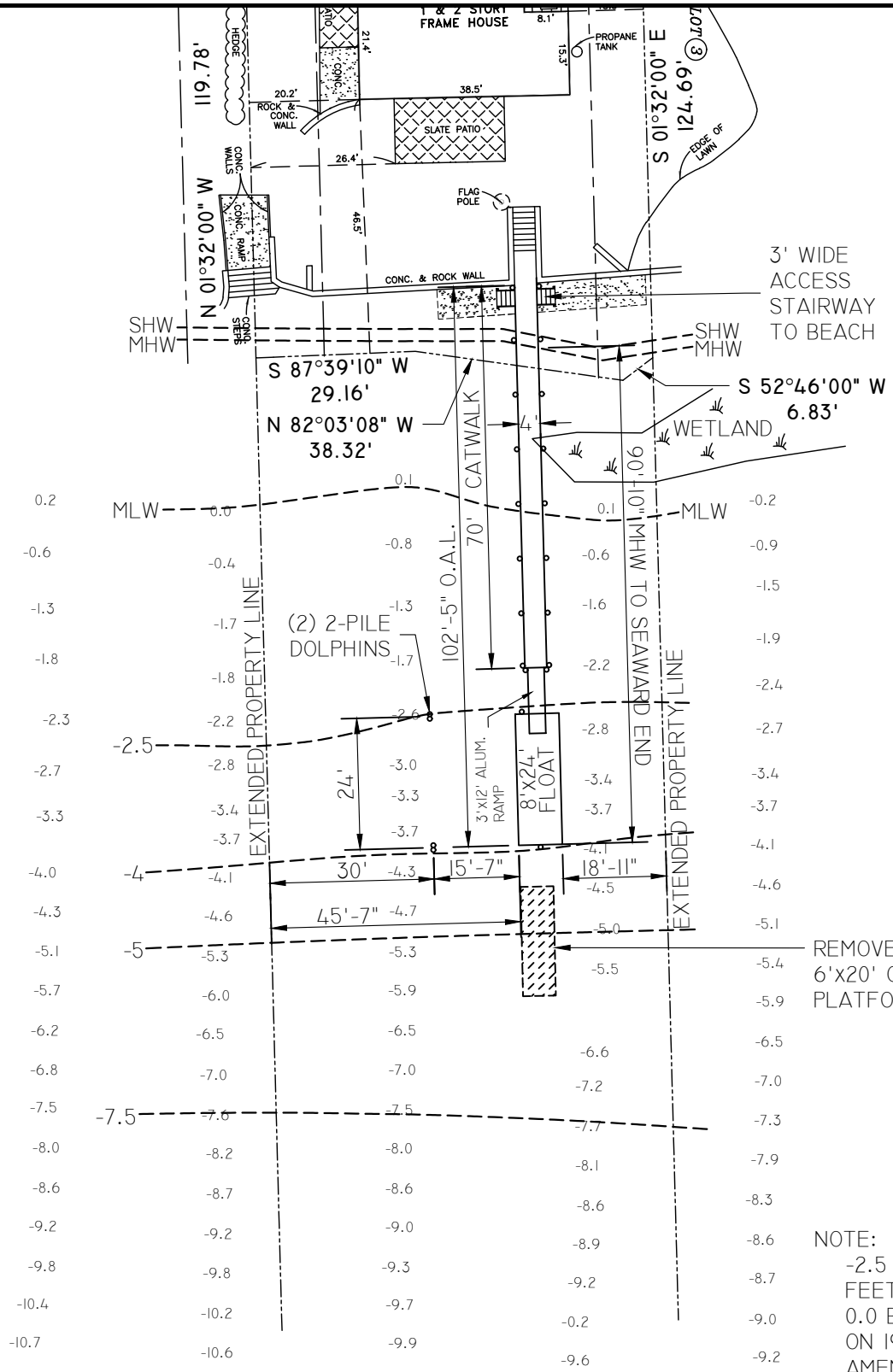
PREPARED BY: KS
 COSTELLO MARINE CONTRACTING CORP.
 P.O. BOX 2124, GREENPORT, N.Y. 11944
 (631)477-1199

SITE MAP



(SHEET 4 OF 9)

APPLICANT: 58 TUTHILL DRIVE SI LLC
 C/O BRIAN CARROLL
 ADDRESS: 276 OTTER ROCK DRIVE
 GREENWICH, CT 06830
 JOB SITE: 58 TUTHILL DRIVE
 SHELTER ISLAND, NY 11964
 SCTM#: 700-12-2-14.2
 DATE: 07/20/23



NOTE:
 -2.5 IS MEASURED IN FEET WHEN MLW EQUALS 0.0 BY ROBERT H. FOX ON 19 SEPTEMBER 2019. AMENDED 31 MARCH 2023.

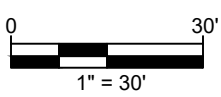
WETLANDS DELINEATED BY ROBERT H. FOX ON 19 SEPTEMBER 2019.

**SHANTY BAY
(COECLES HARBOR)**

NOTE:
 INFORMATION IN THIS SITE MAP WAS REFLECTED FROM NATHAN TAFT CORWIN III LAND SURVEYOR DATED SEPTEMBER 26, 2001. UPDATED APRIL 10, 2008 & SEPTEMBER 5, 2019.

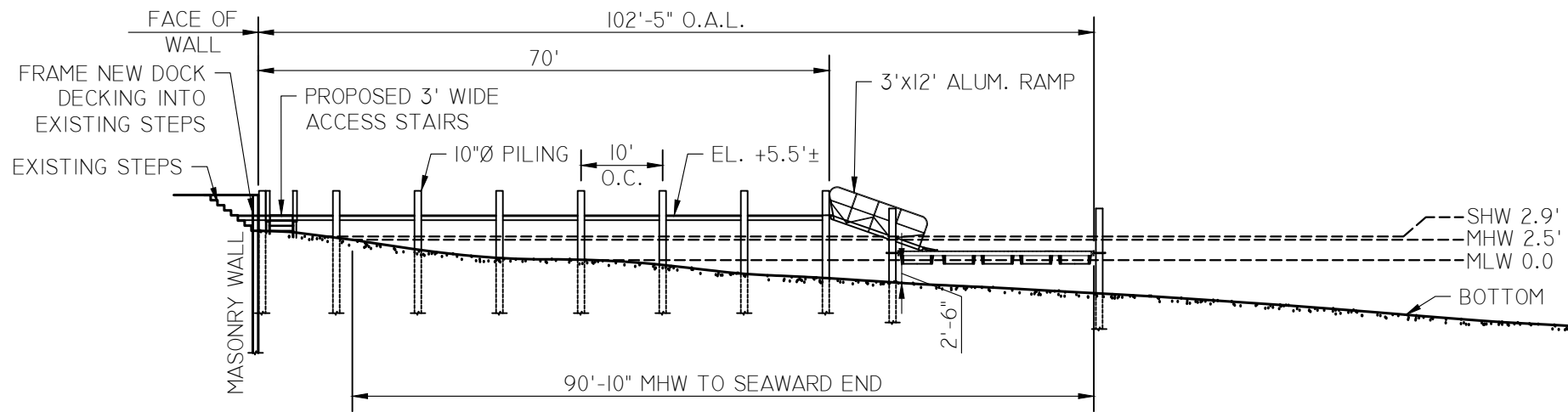
PREPARED BY: KS
 COSTELLO MARINE CONTRACTING CORP.
 P.O. BOX 2124, GREENPORT, N.Y. 11944
 (631)477-1199

SITE PLAN



(SHEET 5 OF 9)

APPLICANT: 58 TUTHILL DRIVE SI LLC
 C/O BRIAN CARROLL
 ADDRESS: 276 OTTER ROCK DRIVE
 GREENWICH, CT 06830
 JOB SITE: 58 TUTHILL DRIVE
 SHELTER ISLAND, NY 11964
 SCTM#: 700-12-2-14.2
 DATE: 07/20/23



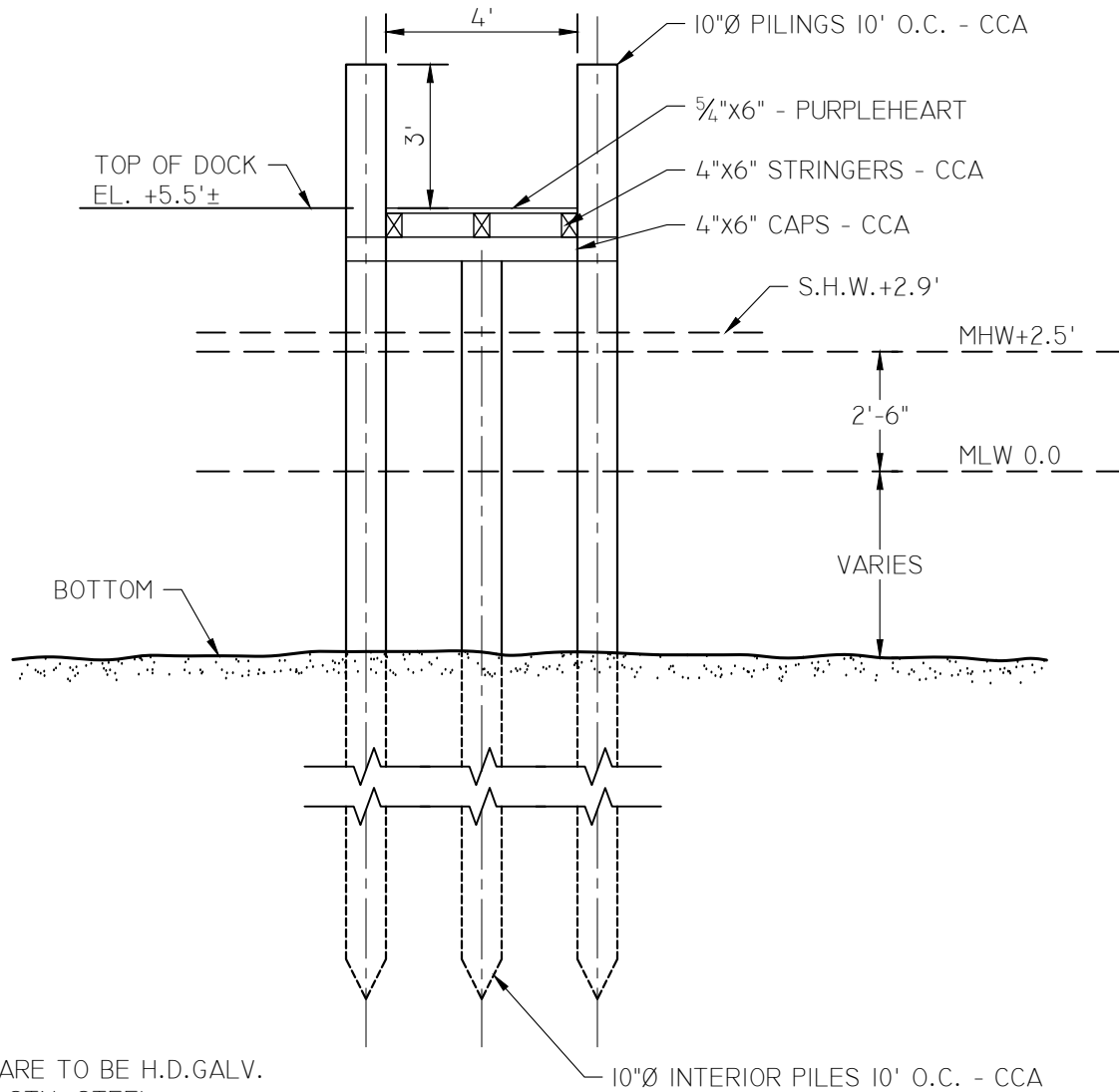
PREPARED BY: KS
COSTELLO MARINE CONTRACTING CORP.
P.O. BOX 2124, GREENPORT, N.Y. 11944
(631)477-1199

ELEVATION



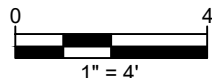
(SHEET 6 OF 9)

APPLICANT: 58 TUTHILL DRIVE SI LLC
C/O BRIAN CARROLL
ADDRESS: 276 OTTER ROCK DRIVE
GREENWICH, CT 06830
JOB SITE: 58 TUTHILL DRIVE
SHELTER ISLAND, NY 11964
SCTM#: 700-12-2-14.2
DATE: 07/20/23



NOTE: ALL HARDWARE TO BE H.D.GALV.
FASTENERS STN. STEEL

DOCK DETAIL



(SHEET 7 OF 9)

APPLICANT: 58 TUTHILL DRIVE SI LLC
C/O BRIAN CARROLL
ADDRESS: 276 OTTER ROCK DRIVE
GREENWICH, CT 06830
JOB SITE: 58 TUTHILL DRIVE
SHELTER ISLAND, NY 11964
SCTM#: 700-12-2-14.2
DATE: 07/20/23

PREPARED BY: KS
COSTELLO MARINE CONTRACTING CORP.
P.O. BOX 2124, GREENPORT, N.Y. 11944
(631)477-1199

MASONRY WALL

EXISTING STEPS

HANDRAILS

2"x10" - CCA

4' DOCK
CROSS OVER

3'

3'

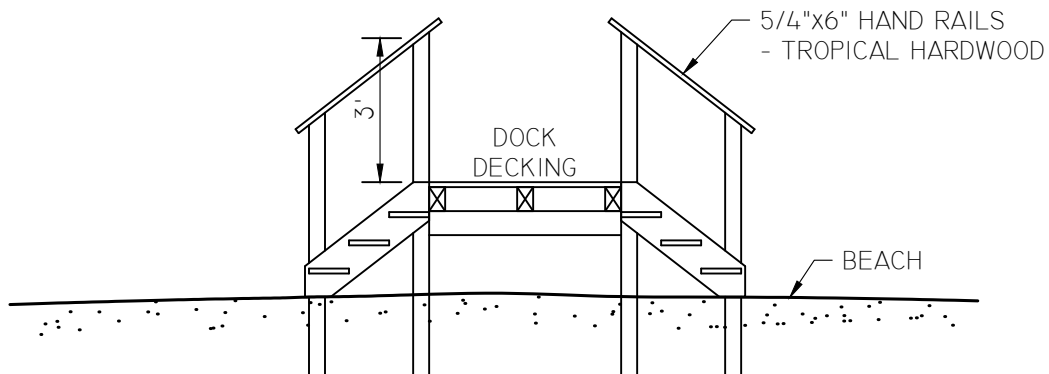
2"x10" STRINGERS

2'-6"
3T @ 10"

2'-6"
3T @ 10"

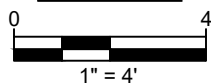
4"x4" POSTS - CCA

PLAN



CROSS SECTION

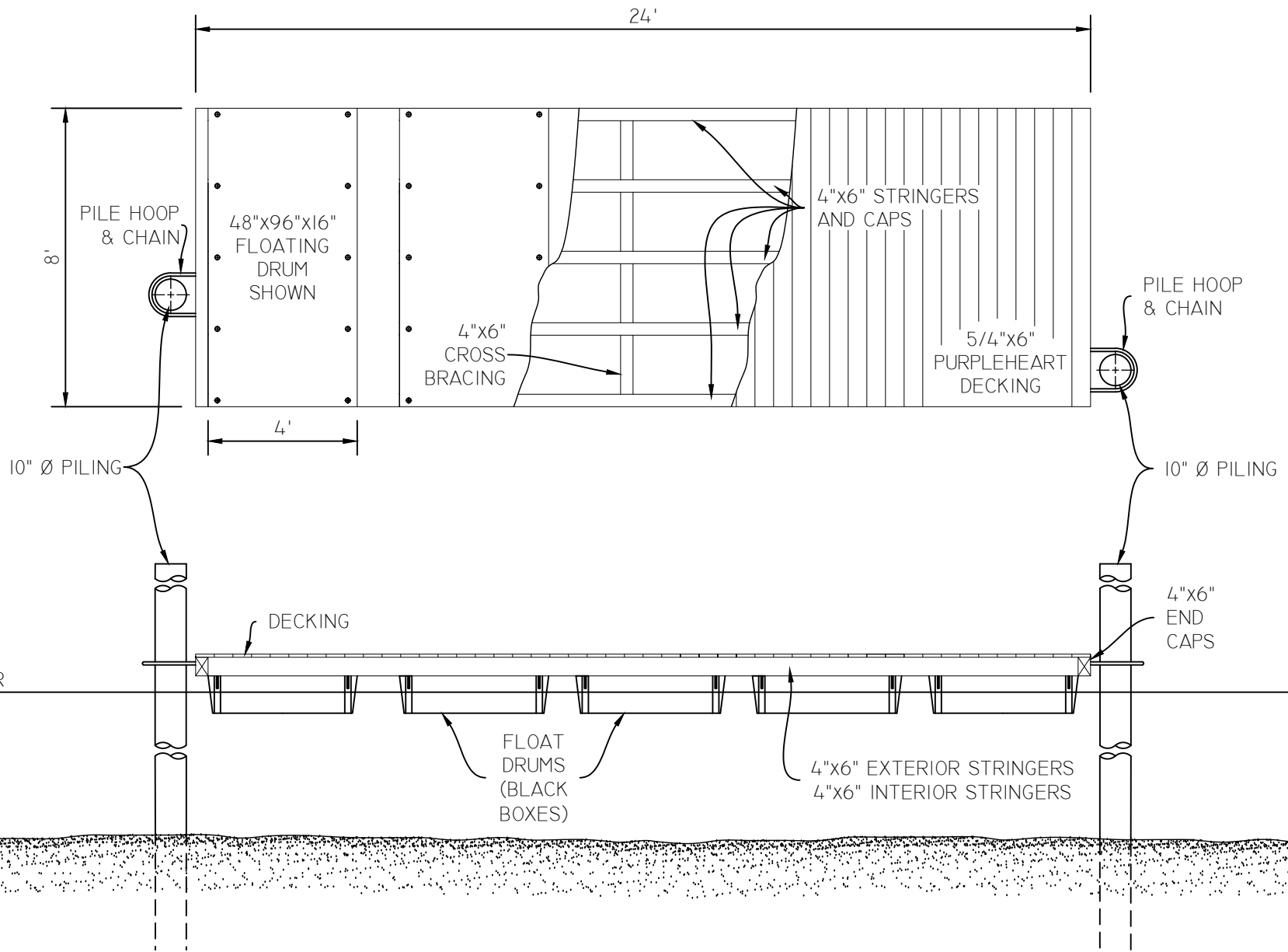
ACCESS STAIRS DETAIL



(SHEET 8 OF 9)

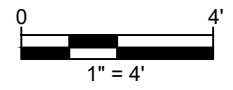
APPLICANT: 58 TUTHILL DRIVE SI LLC
C/O BRIAN CARROLL
ADDRESS: 276 OTTER ROCK DRIVE
GREENWICH, CT 06830
JOB SITE: 58 TUTHILL DRIVE
SHELTER ISLAND, NY 11964
SCTM#: 700-12-2-14.2
DATE: 07/20/23

PREPARED BY: KS
COSTELLO MARINE CONTRACTING CORP.
P.O. BOX 2124, GREENPORT, N.Y. 11944
(631)477-1199



PREPARED BY: KS
 COSTELLO MARINE CONTRACTING CORP.
 P.O. BOX 2124, GREENPORT, N.Y. 11944
 (631)477-1199

FLOAT DETAIL



(SHEET 9 OF 9)

APPLICANT: 58 TUTHILL DRIVE SI LLC
 C/O BRIAN CARROLL
 ADDRESS: 276 OTTER ROCK DRIVE
 GREENWICH, CT 06830
 JOB SITE: 58 TUTHILL DRIVE
 SHELTER ISLAND, NY 11964
 SCTM#: 700-12-2-14.2
 DATE: 07/20/23