



**HAMPTON'S BUZAAR**

www.buzaar.com | customerservice@buzaar.com



G x 1



D x 8

F x 2

Fig. 1 -

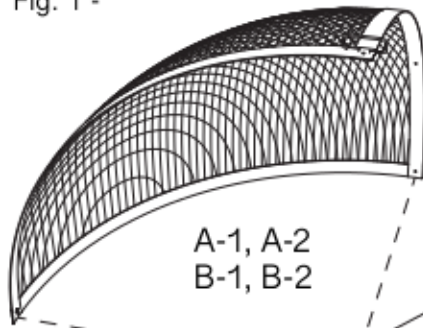


Fig. 2 - Align pre-drilled holes for A-1, A-2

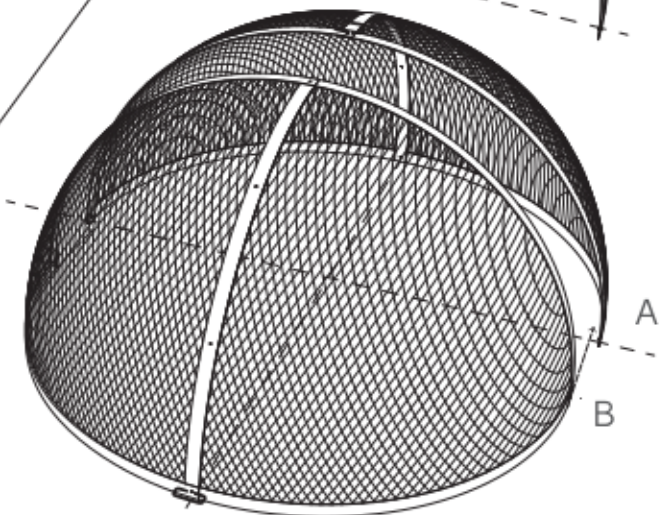
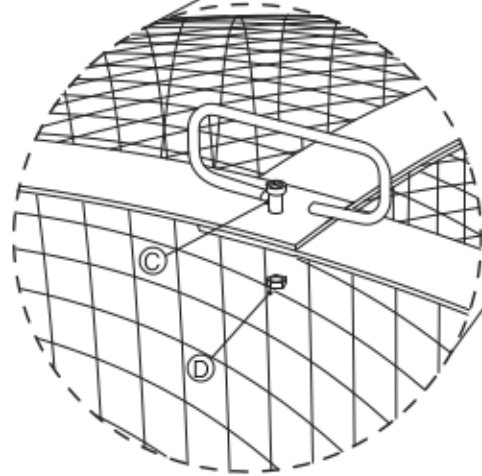
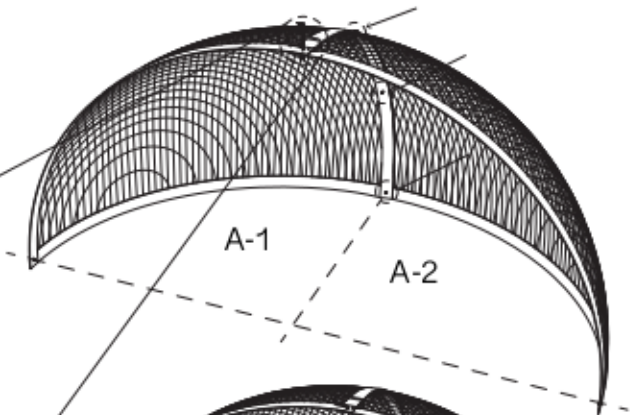


Fig. 3 - Insert screen bolt and nut; securely tighten. Repeat process for B-1 & B-2.

Fig. 4 - Slide B-assembly into A-assembly.

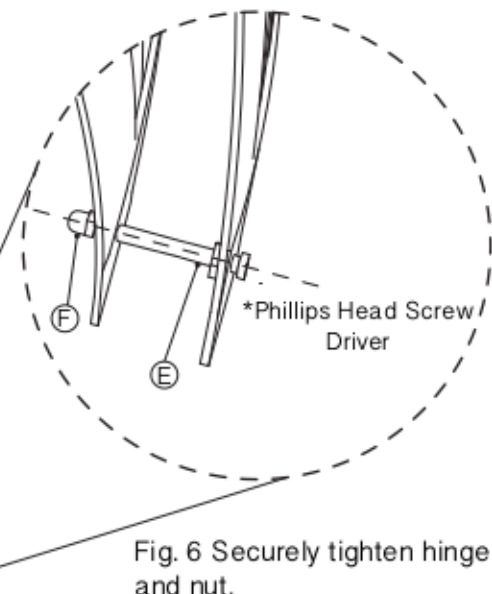
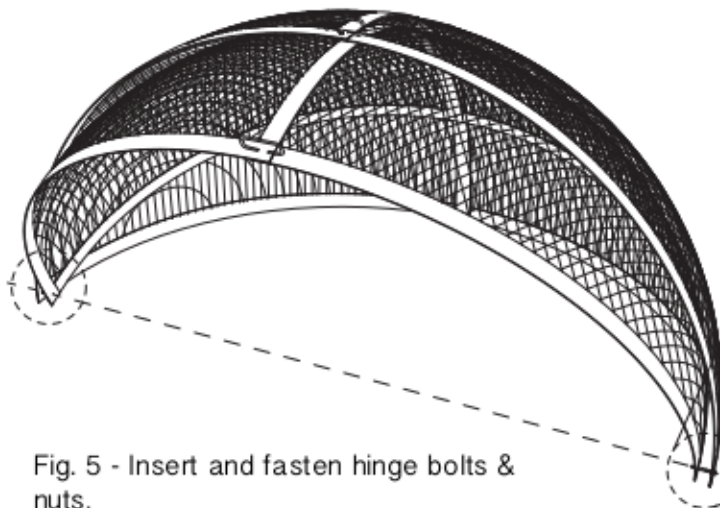


Fig. 5 - Insert and fasten hinge bolts & nuts.

Fig. 6 Securely tighten hinge bolt and nut.



**WARNING!** SCREEN WILL BECOME HOT WHEN IN USE! FAILURE TO WEAR PROTECTIVE GLOVES WHEN HANDLING MAY LEAD TO INJURY.

**Note:** Use small hand wrench to securely tighten acorn nut(s).